



ALLiHOME

Mounting materials



THE RIGHT MOUNTING
SYSTEM FOR EVERY ROOF

Allimex Green
Power





ALLiHOME

Universal mounting system

Our universal system is suitable for various pitched roof types.

UNIVERSAL >

The ALLiHOME profile can be used with any roof hook and clip, and for any type of pitched roof. You can always count on a large stock.

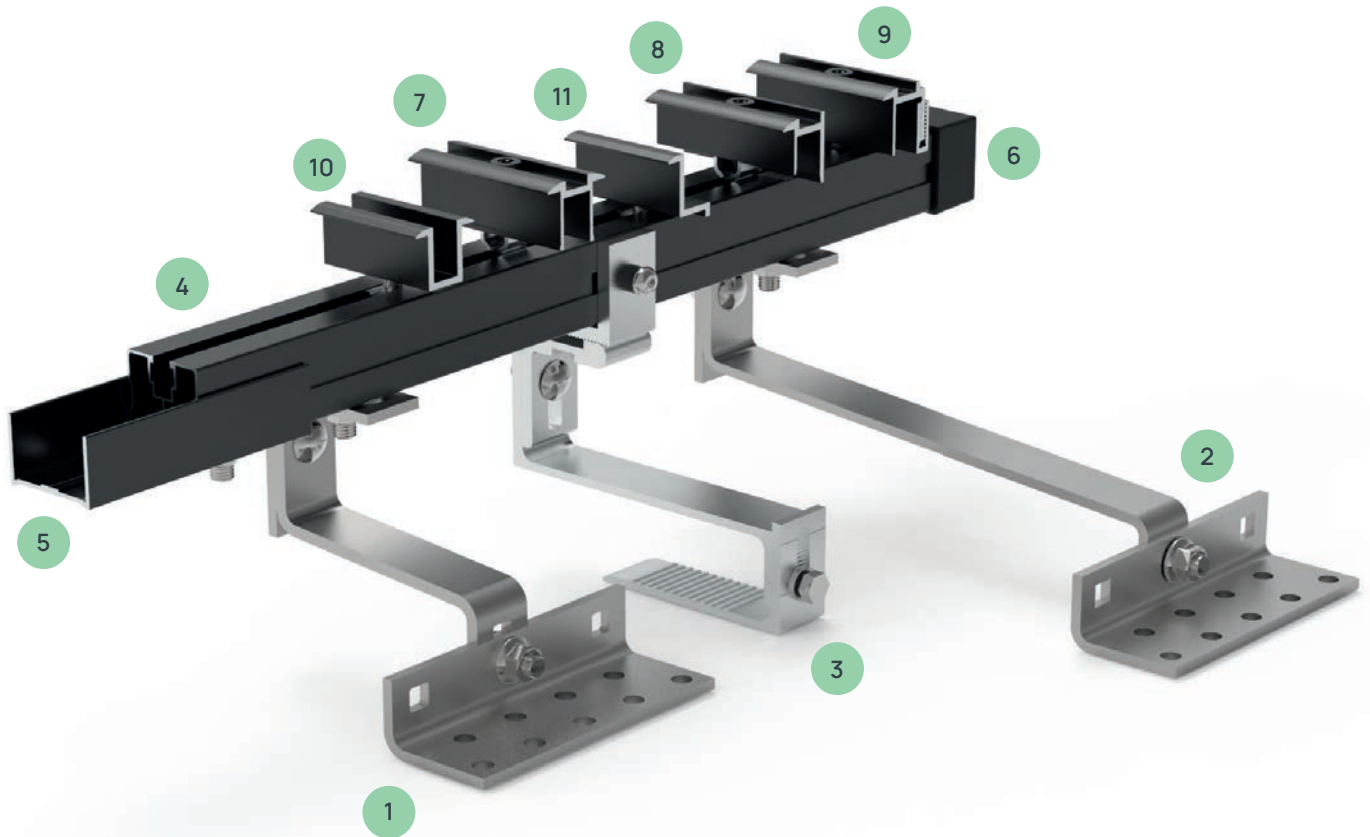
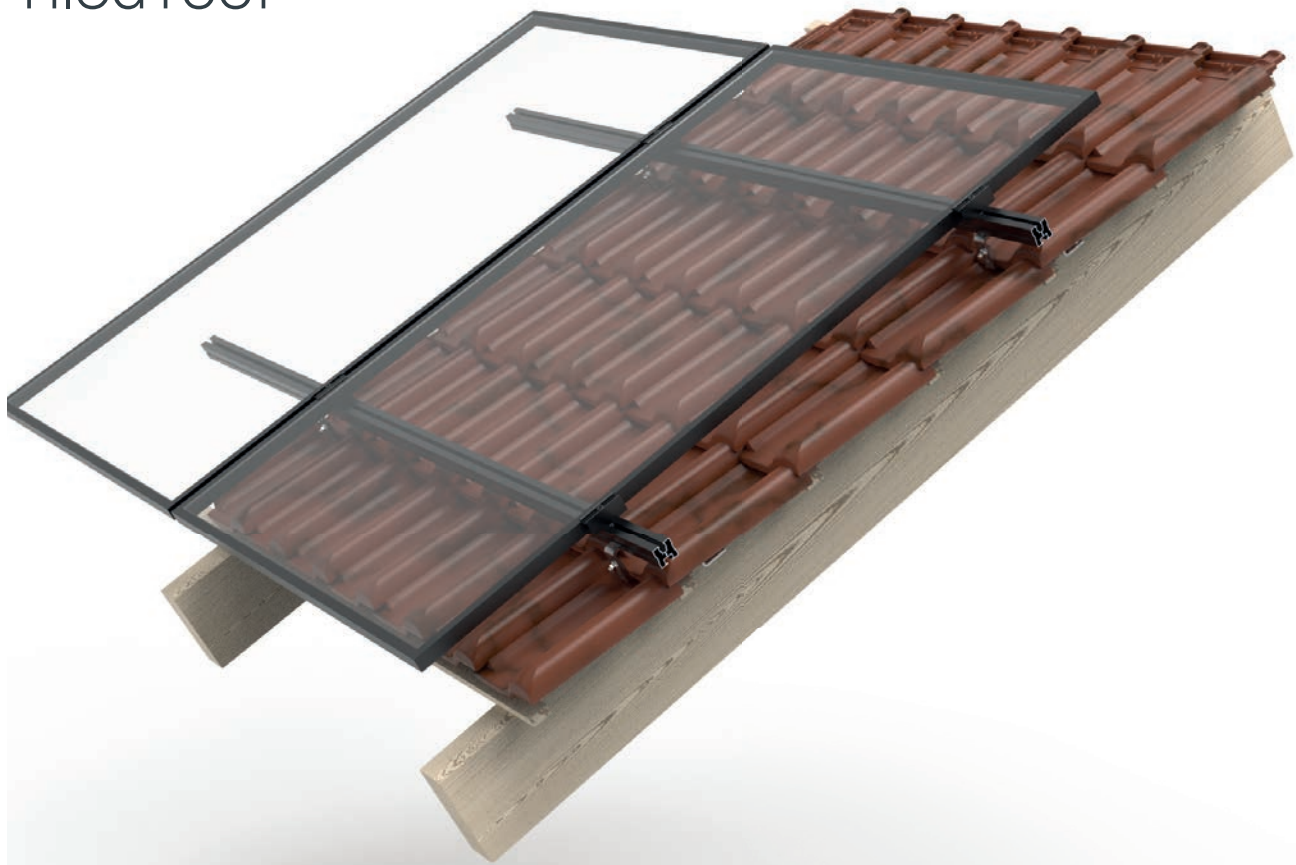
FLEXIBLE >

ALLiHOME is suitable for various roof types and projects, both residential and industrial. The wide variety of clamp types makes the system compatible with most solar panels on the market.

LIGHT >

Our most innovative Feather profile is extremely light and robust. This makes the profile ergonomic and easy to handle on the roof. And we reduce our CO2 emissions thanks to the reduced weight!

Tiled roof





Components



	Article code	Article description	Datasheet
1	 1AHM15DD001	Roof hook double adjustable SS	p. 21
	 1AHM15DD004	Roof hook double adjustable SS medium	p. 22
2	 1AHM15DD002	Roof hook double adjustable plain tile	p. 23
	 1AHM46HT004	Wood screw 8x80 TX40	p. 51
3	 1AHM10BT037	Hex bolt M10x30	p. 49
	 1AHM10MR001	Knurled nut M10	
	 1AHM15DD003	Roof hook double adjustable hybrid	p. 24
4	 1AHM43AL033	Profile Allimex 6,00 m alu	p. 40
	 1AHM43ZW033	Profile Allimex 6,00 m black <i>Other lengths available on request</i>	
5	 1AHM43AL030	Profile Feather 6,00 m alu	p. 41
	 1AHM43ZW030	Profile Feather 6,00 m black	
6	 1AHMACPV001	Profile connector 40 mm alu	p. 42
	 1AHMACPV002	Profile connector 40 mm black	
7	 1AHMACPS002	Stopper profile 40x40 grey	p. 43
	 1AHM0ACPS001	Stopper profile 40x40 black	
8	 1AHM32KK003	Middle clamp click 30-40 mm alu	p. 44
	 1AHM32KK004	Middle clamp click 30-40 mm black	
9	 1AHM32KK024	End clamp click 30 mm alu	p. 45
	 1AHM32KK025	End clamp click 30 mm black	
9	 1AHM32KK008	End clamp click 30-40 mm alu	p. 46
	 1AHM32KK009	End clamp click 30-40 mm black	

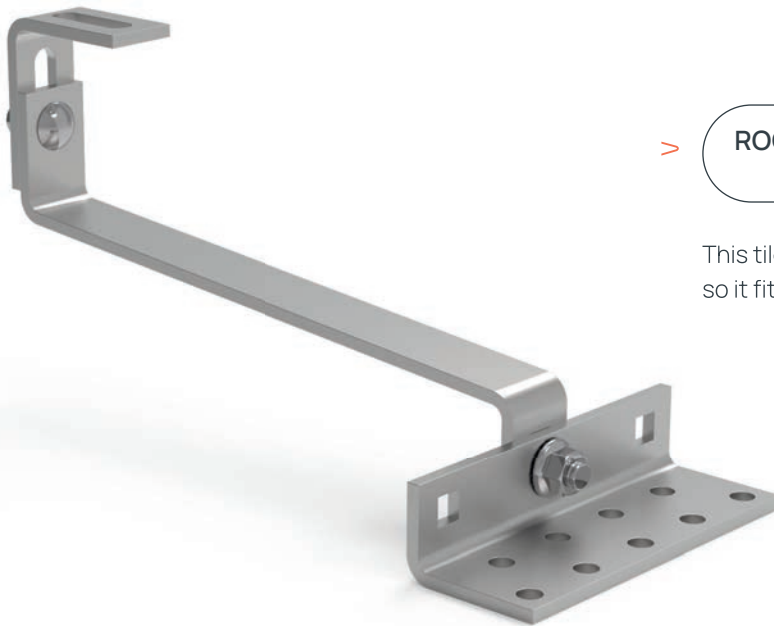
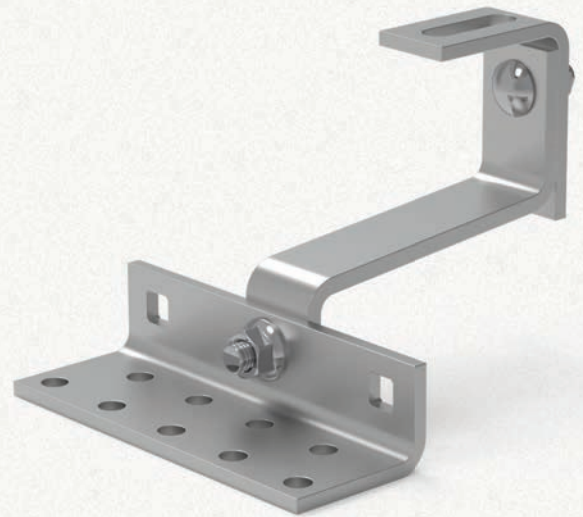
Components



	Article code	Article description	Datasheet
10	 1AHM32SR085	Middle clamp basic length 60 mm alu	p. 47
	1AHM32SR086	Middle clamp basic length 60 mm black	
11	 1AHM32SR069	End clamp 30 mm length 60 mm alu	p. 48
	1AHM32SR070	End clamp 30 mm length 60 mm black	
	 1AHM10BT015	Allen bolt M8x20 (<i>panel size - 10 mm</i>)	p. 50
	1AHM10MR004	Spring ball nut M8	

ROOF HOOK DOUBLE ADJUSTABLE

- With as many as 9 drill holes, you choose the ideal place to secure the roof hook in the substructure.
- The depth of the roof hook can be easily adjusted according to the thickness of the roof tile and tile batten.
- The slotted hole at the bottom of the hook aligns the roof hooks perfectly against the profiles.
- The roof hook is made of high-quality stainless steel 304 with a thick wall thickness.
- The shotblasting finish provides increased corrosion resistance.



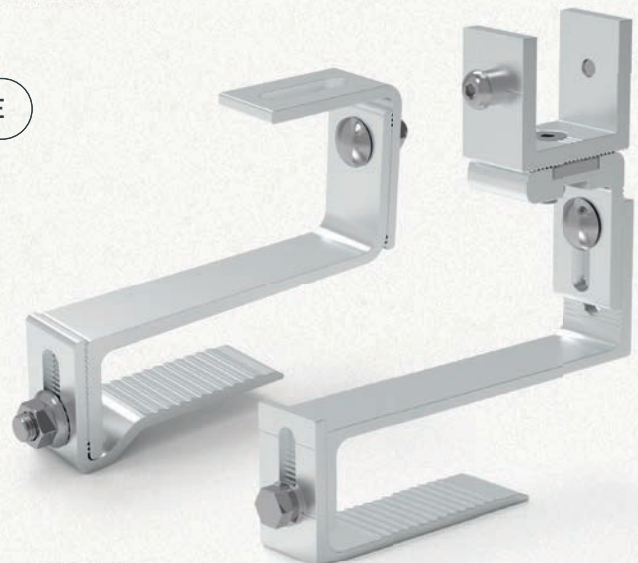
ROOF HOOK DOUBLE ADJUSTABLE PLAIN TILE

This tile roof hook is adjustable and extra long so it fits perfectly on the extra long roof tiles.

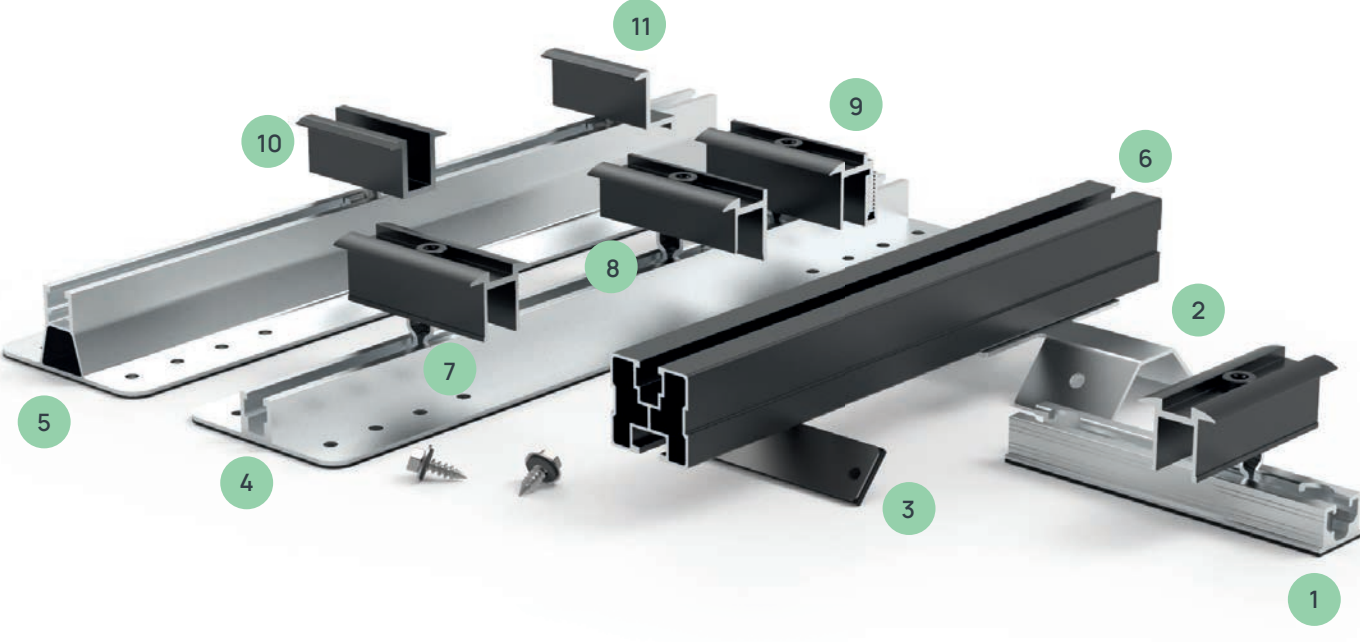
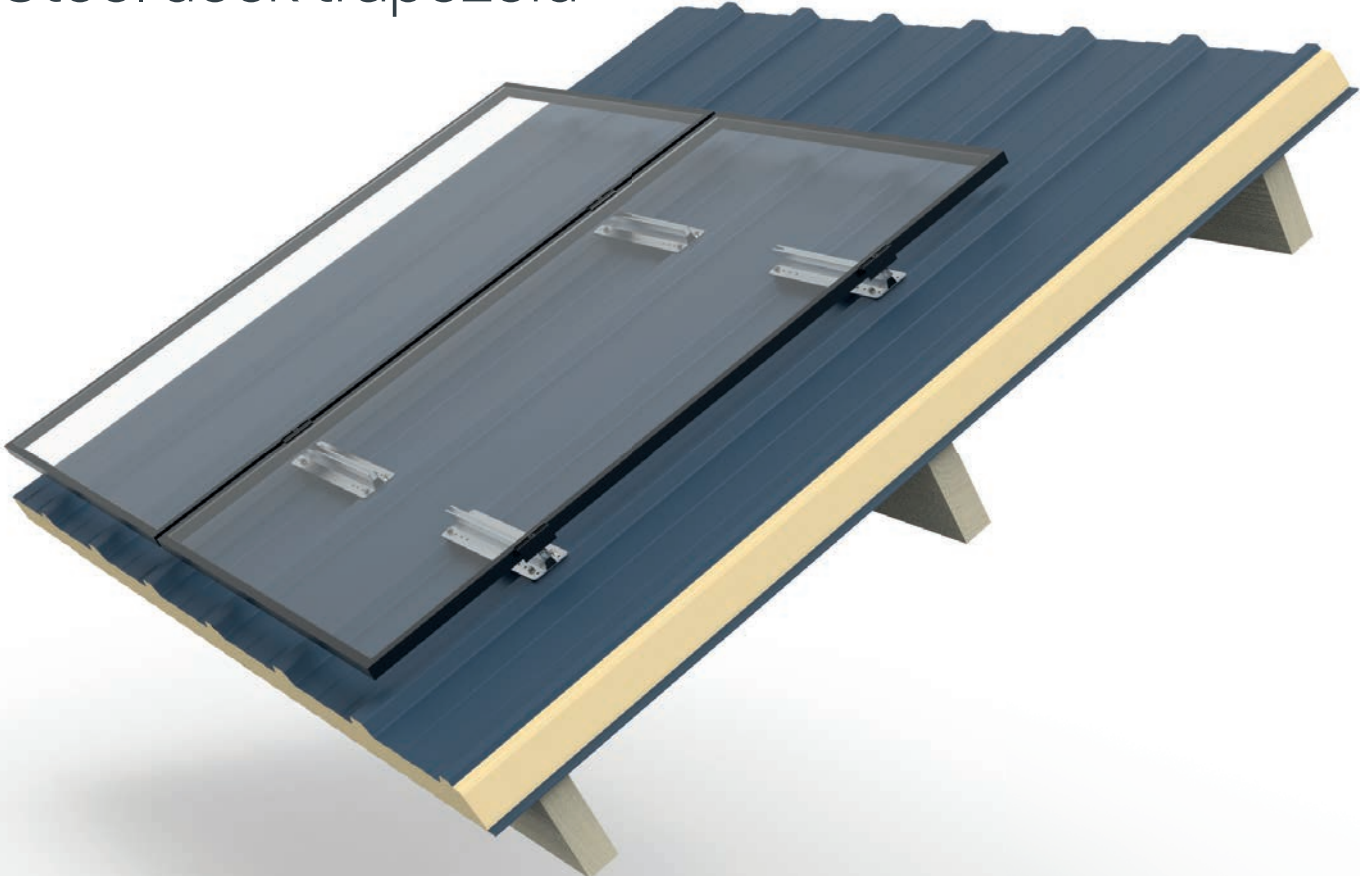
ROOF HOOK DOUBLE ADJUSTABLE HYBRID & SLIDE

The hybrid roof hook is double adjustable: you adjust it to the thickness of the roof tile as well as the placement of the profiles. The roof hook is suitable for both portrait and landscape orientation.

The fast mounting system ensures smooth installation. You put the profile in the roof hook and then screw everything on - easy!














Steel deck trapezoid






Components



	Article code	Article description	Datasheet
1	 1AHM15SD005	Steel deck plate landscape 15 cm	p. 26
2	 1AHM15SD001	Steel deck plate SS	p. 27
	 1AHM10BT037 1AHM10MR001	Hex bolt M10x30 Knurled nut M10	p. 49
3	 1AHM15SD004	Steel deck connecting plate	p. 28
4	 1AHM15SD006	Steel deck plate portrait 40 cm alu	p. 30
5	 1AHM15SD008	Steel deck plate 40 mm raised portrait 40 cm alu	p. 31
	 1AHM46BM003	Bi-metal screws for steel deck 6,0x25	p. 52
6	 1AHM43AL033 1AHM43ZW033	Profile Allimex 6,00 m alu Profile Allimex 6,00 m black <i>Other lengths available on request</i>	p. 40
	 1AHM43AL030 1AHM43ZW030	Profile Feather 6,00 m alu Profile Feather 6,00 m black	p. 41.
	 1AHMACPV001 1AHMACPV002	Profile connector 40 mm alu Profile connector 40 mm black	p. 42
	 1AHMACPS002 1AHM0ACPS001	Stopper profile 40x40 alu Stopper profile 40x40 black	p. 43
7	 1AHM32KK003 1AHM32KK004	Middle clamp click 30-40 mm alu Middle clamp click 30-40 mm black	p. 44.
8	 1AHM32KK024 1AHM32KK025	End clamp click 30 mm alu End clamp click 30 mm black	p. 45
9	 1AHM32KK008 1AHM32KK009	End clamp click 30-40 mm alu End clamp click 30-40 mm zwart	p. 46



	Article code	Article description	Datasheet
10	 1AHM32SR085 1AHM32SR086	Middle clamp basic length 60 mm alu Middle clamp basic length 60 mm black	p. 47
11	 1AHM32SR069 1AHM32SR070	End clamp 30 mm length 60 mm alu End clamp 30 mm length 60 mm black	p. 48
	 1AHM10BT015 1AHM10MR004	Allen bolt M8x20 (<i>panel size - 10mm</i>) Spring ball nut M8	p. 50



STEEL DECK PLATE 40 MM RAISED PORTRAIT 40 CM ALU

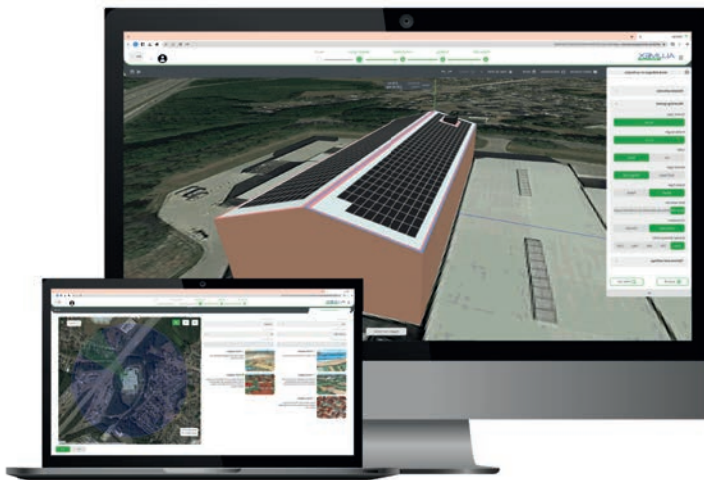
We developed an elevated version of the standard steel deck plate. This elevated version has several additional benefits:

- Additional space for optimizers;
- More space for cables and the cable tray;
- Optimal ventilation of the solar panels, resulting in higher efficiency.



ALLiDRAW calculator

Easily calculate and manage all your projects with our ALLiDRAW calculator for pitched roofs. Choose your location, roof type, solar panels and mounting system and you will immediately receive a complete project overview with corresponding bill of materials.



- You enter all project information, such as a project name and an address.
- In the design field you easily draw your roof and building. You first draw the area of the roof. Then you choose the roof type, roof covering and other parameters. You also draw any obstacles on the roof here.
- Enter all parameters for the environment of the project, such as the wind zone.
- Choose the desired panels and mounting system specifications. You can easily have the panel field filled in automatically, or do it manually.

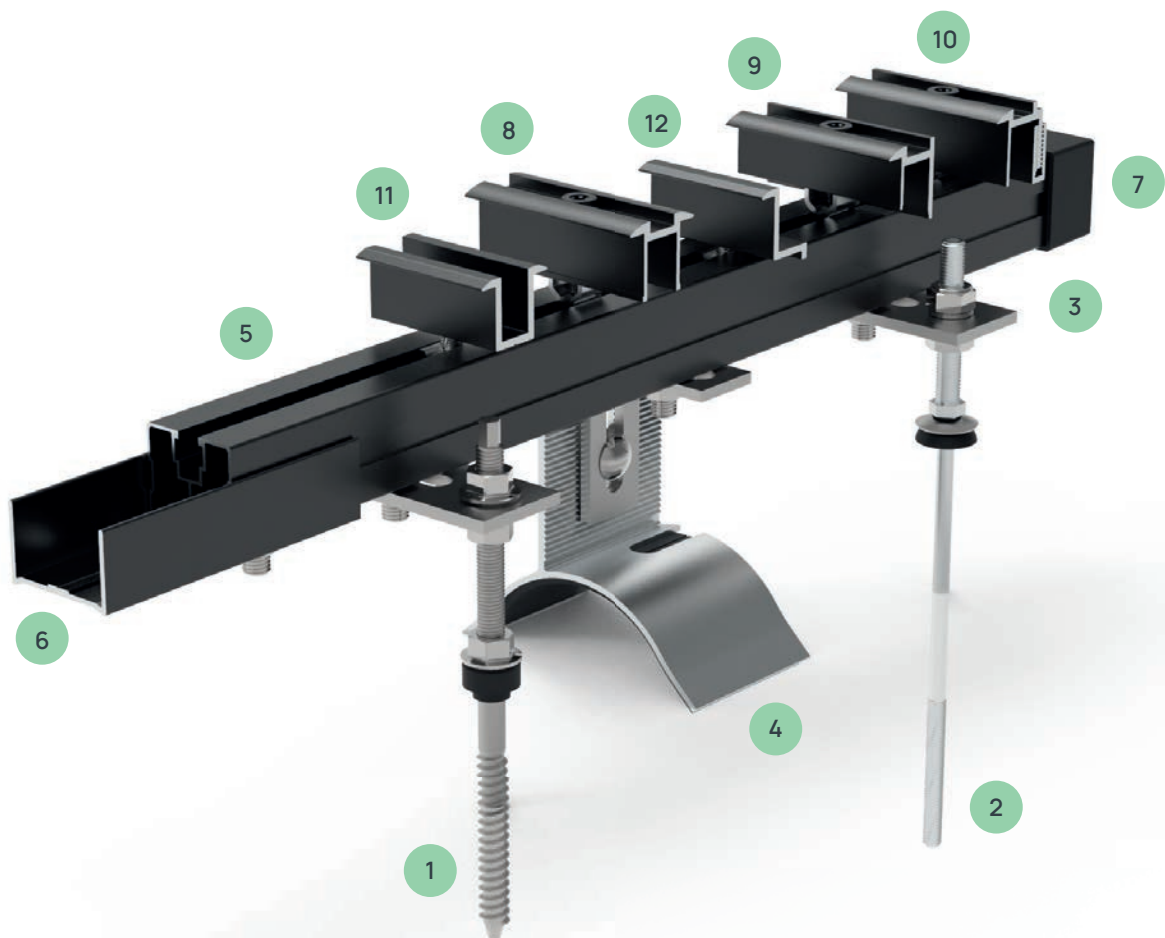
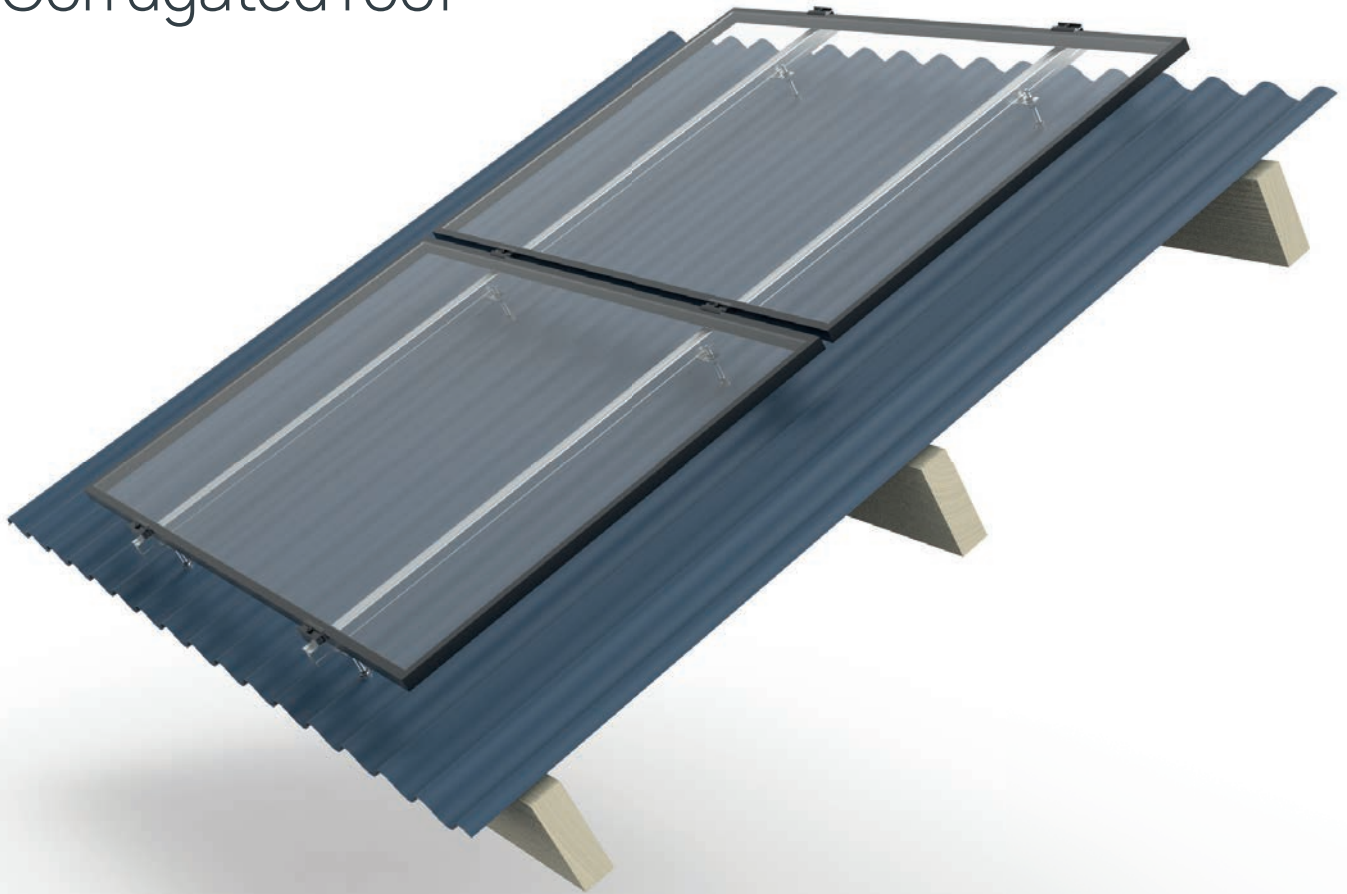
You immediately receive a complete report of the entire project, including safety margins as well as a detailed parts list.



ADVANCED CALCULATIONS

- In ALLiDRAW, you process an unlimited number of projects from 1 calculator.
- You manage multiple roofs and roof types within 1 project.
- You immediately draw by location in Google Maps.
- All calculations are extensively tested to the latest safety standards. You will receive a complete overview of all safety margins and allowable forces.
- Go for automatic engineering of mounting hardware.
- You save on materials as well as labor on site.
- The drawn-in assembly products can be seen in detail.
- ALLiDRAW is BIM-ready and can read in and write out 3D models in the future.

Corrugated roof





Components



	Article code	Article description	Datasheet
1	1AHM15SS004	Hanger screw with mounting plate M10x200	p. 32
2	1AHM15SS026	Hanger bolt for metal construction 8x200/70 without mounting plate	p. 33
3	1AHMACMP001	Mounting plate 110x40x5 mm	p. 34
4	1AIN15DV007	Hook ALLiN corrugated sheet	p. 35
	1AHM15AC003	L-piece roof hook slate single adjustable	p. 36
	1AHM10BT037 1AHM10MR001	Hex bolt M10x30 Knurled nut M10	p. 49
5	1AHM43AL033 1AHM43ZW033	Profile Allimex 6,00 m alu Profile Allimex 6,00 m black <i>Other lengths available on request</i>	p. 40
	1AHM43AL030 1AHM43ZW030	Profile Feather 6,00 m alu Profile Feather 6,00 m black	p. 41
6	1AHMACPV001 1AHMACPV002	Profile connector 40 mm alu Profile connector 40 mm black	p. 42
7	1AHMACPS002 1AHM0ACPS001	Stopper profile 40x40 alu Stopper profile 40x40 black	p. 43
8	1AHM32KK003 1AHM32KK004	Middle clamp click 30-40 mm alu Middle clamp click 30-40 mm black	p. 44
9	1AHM32KK024 1AHM32KK025	End clamp click 30 mm alu End clamp click 30 mm black	p. 45
10	1AHM32KK008 1AHM32KK009	End clamp click 30-40 mm alu End clamp click 30-40 mm black	p. 46
11	1AHM32SR085 1AHM32SR086	Middle clamp basic length 60 mm alu Middle clamp basic length 60 mm black	p. 47



12

	Articel code	Article description	Datasheet
	1AHM32SR069	End clamp 30 mm length 60 mm alu	p. 48
	1AHM32SR070	End clamp 30 mm length 60 mm black	
	1AHM10BT015	Allen bolt M8x20 (panel size - 10mm)	p. 50
	1AHM10MR004	Spring ball nut M8	

>

CROSS CONNECTOR

Thanks to the cross connector, you can easily create double-layer mounting structures that also allow you to place panels in landscape orientation.

The cross connector makes the connection between the vertical and horizontal rails. This way, the cross connector makes it possible to place profiles horizontally on the roof and use the optimal roof area.

The cross connector is suitable for different roof types.



>

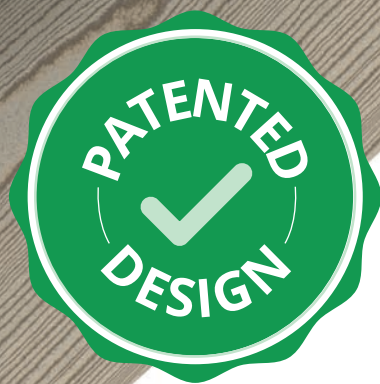
HANGER SCREW AND BOLT

We offer different types and sizes to match the substructure in steel or wood.

- Different thicknesses for more grip in the substructure
- Rubber seal for waterproofing
- Easy alignment of profiles due to the long thread

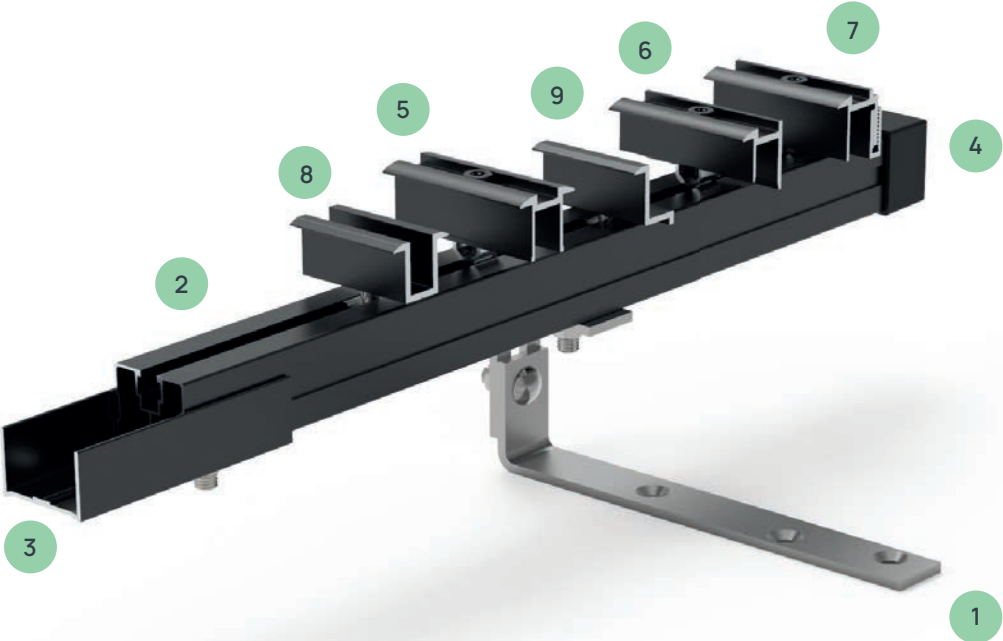
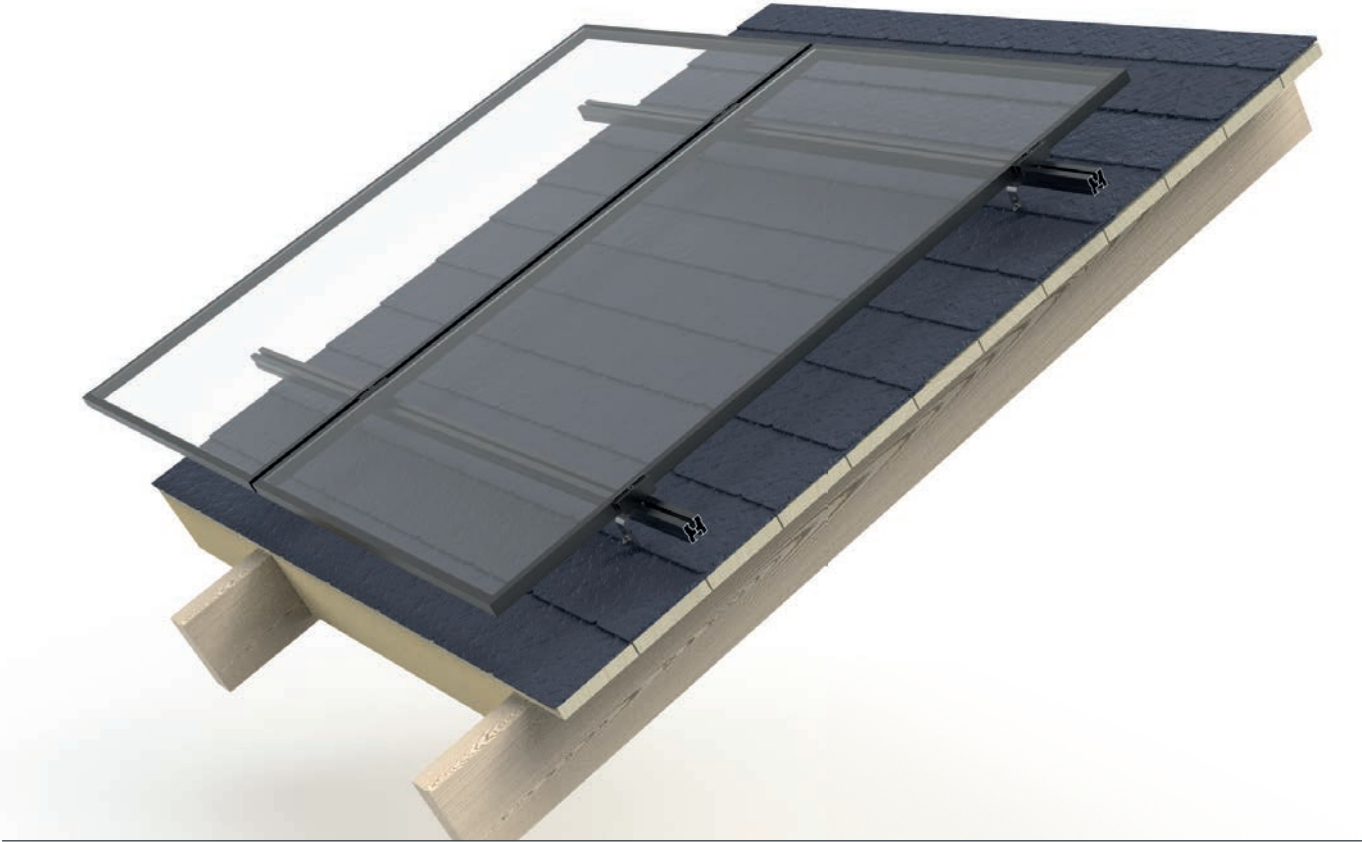


Feather profile



Feather is patented in Belgium and the Netherlands.

Slate roof

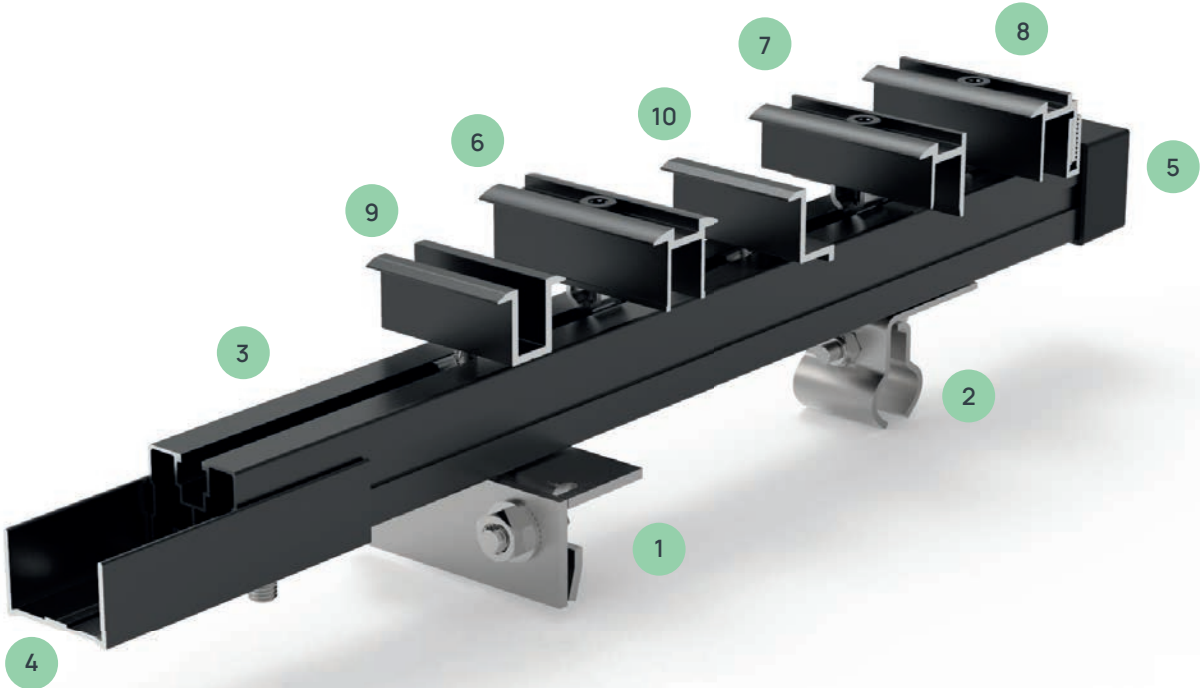
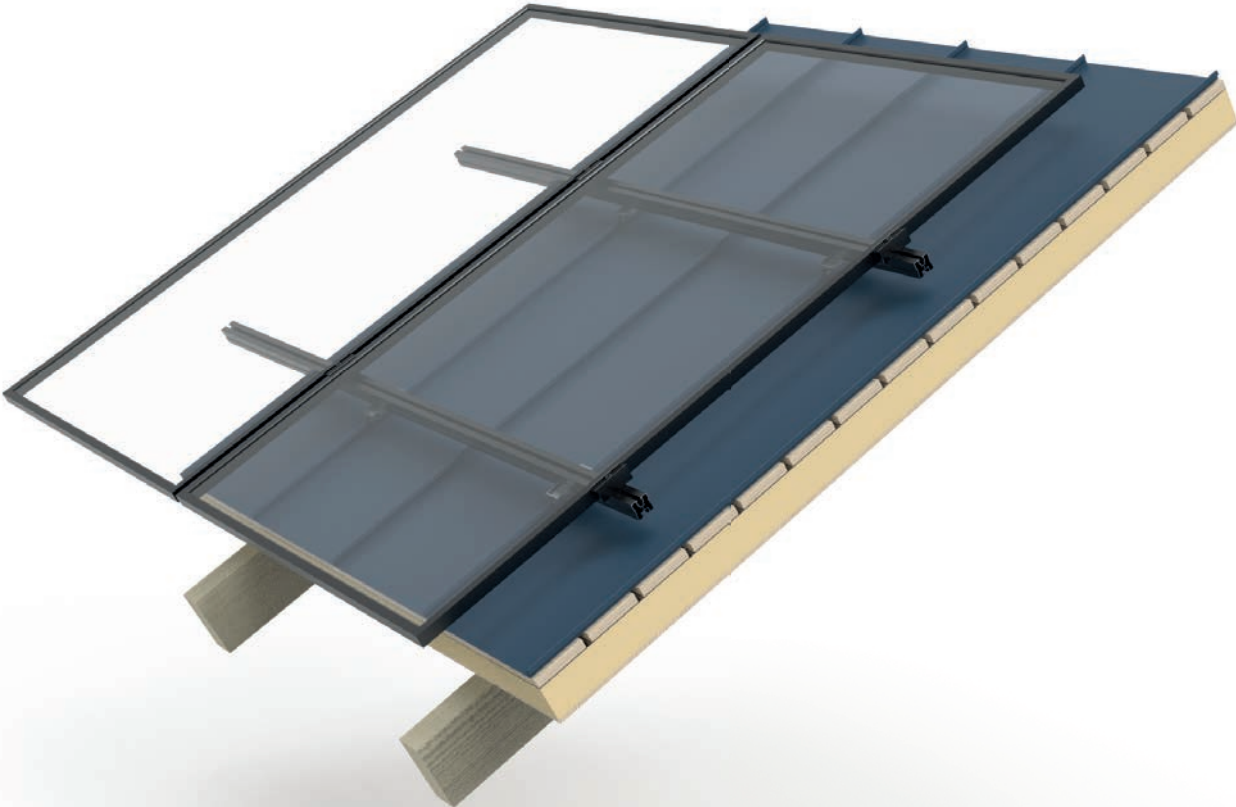


Components



	Article code	Article description	Datasheet
1	 1AHM15DE002	Roof hook single adjustable slate SS	p. 37
	 1AHM46HT001	Wood screw 6x70 TX25	p. 51
	 1AHM10BT037 1AHM10MR001	Hex bolt M10x30 Knurled nut M10	p. 49
2	 1AHM43AL033 1AHM43ZW033	Profile Allimex 6,00 m alu Profile Allimex 6,00 m black <i>Other lengths available on request</i>	p. 40
	 1AHM43AL030 1AHM43ZW030	Profile Feather 6,00 m alu Profile Feather 6,00 m black	p. 41
3	 1AHMACPV001 1AHMACPV002	Profile connector 40 mm alu Profile connector 40 mm black	p. 42
4	 1AHMACPS002 1AHM0ACPS001	Stopper profile 40x40 grey Stopper profile 40x40 black	p. 43
5	 1AHM32KK003 1AHM32KK004	Middle clamp click 30-40 mm alu Middle clamp click 30-40 mm black	p. 44
6	 1AHM32KK024 1AHM32KK025	End clamp click 30 mm alu End clamp click 30 mm black	p. 45
7	 1AHM32KK008 1AHM32KK009	End clamp click 30-40 mm alu End clamp click 30-40 mm black	p. 46
8	 1AHM32SR085 1AHM32SR086	Middle clamp basic length 60 mm alu Middle clamp basic length 60 mm black	p. 47
9	 1AHM32SR069 1AHM32SR070	End clamp 30 mm length 60 mm alu End clamp 30 mm length 60 mm black	p. 48
	 1AHM10BT015 1AHM10MR004	Allen bolt M8x20 (<i>panel size - 10mm</i>) Spring ball nut M8	p. 50

Zinc roof



Components

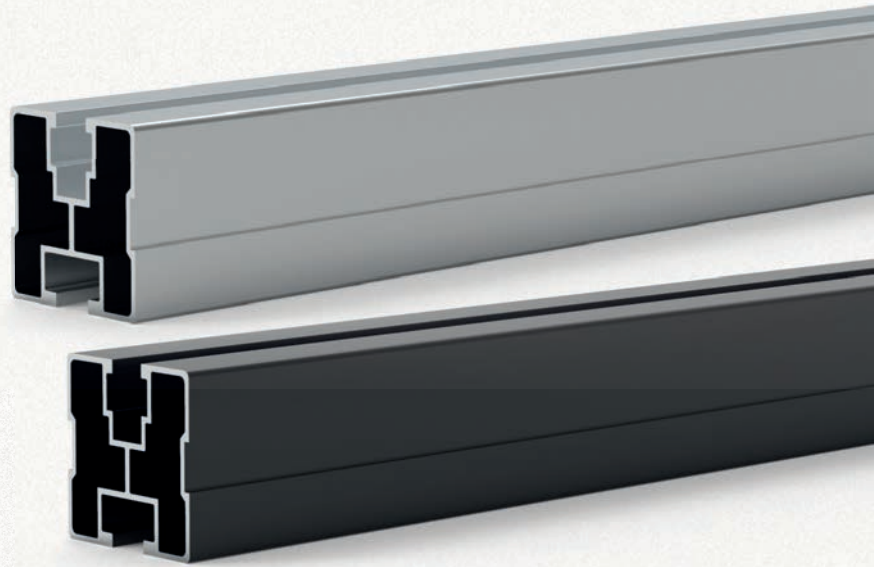


	Article code	Article description	Datasheet
1	 1AHM15DV006	Kalzip roof clamp	p. 38
2	 1AHM15DV003	Kalzip roof clamp round	p. 39
	1AHM10BT037 1AHM10MR001	Hex bolt M10x30 Knurled nut M10	p. 49
3	 1AHM43AL033 1AHM43ZW033	Profile Allimex 6,00 m alu Profile Allimex 6,00 m black <i>Other lengths available on request</i>	p. 40
	 1AHM43AL030 1AHM43ZW030	Profile Feather 6,00 m alu Profile Feather 6,00 m black	p. 41
4	 1AHMACPV001 1AHMACPV002	Profile connector 40 mm alu Profile connector 40 mm black	p. 42
5	 1AHMACPS002 1AHM0ACPS001	Stopper profile 40x40 grey Stopper profile 40x40 black	p. 43
6	 1AHM32KK003 1AHM32KK004	Middle clamp click 30-40 mm alu Middle clamp click 30-40 mm black	p. 44
7	 1AHM32KK024 1AHM32KK025	End clamp click 30 mm alu End clamp click 30 mm black	p. 45
8	 1AHM32KK008 1AHM32KK009	End clamp click 30-40 mm alu End clamp click 30-40 mm black	p. 46
9	 1AHM32SR085 1AHM32SR086	Middle clamp basic length 60 mm alu Middle clamp basic length 60 mm black	p. 47
10	 1AHM32SR069 1AHM32SR070	End clamp 30 mm length 60 mm alu End clamp 30 mm length 60 mm black	p. 48
	 1AHM10BT015 1AHM10MR004	Allen bolt M8x20 (<i>panel size - 10mm</i>) Spring ball nut M8	p. 50

PROFILE ALLIMEX

The universal profile within the ALLiHOME range.

- Profile Allimex is suitable for various pitched roof types.
- The profile works with any roof hook, triangle and clamp. One profile is all it takes for various applications.
- The alu and black finish guarantee a sleek finish.



PROFILE FEATHER

Discover the Feather profile, a rugged lightweight in the ALLiHOME range.

- Feather's innovative design gives you more stability and support on the roof.
- The custom profile length and light weight facilitate installation on the roof.
- As much as 30% less CO2 is emitted during production. Feather is doing its part in reducing our carbon footprint.
- Feather has been extensively tested. This ensures a safe product and installation.

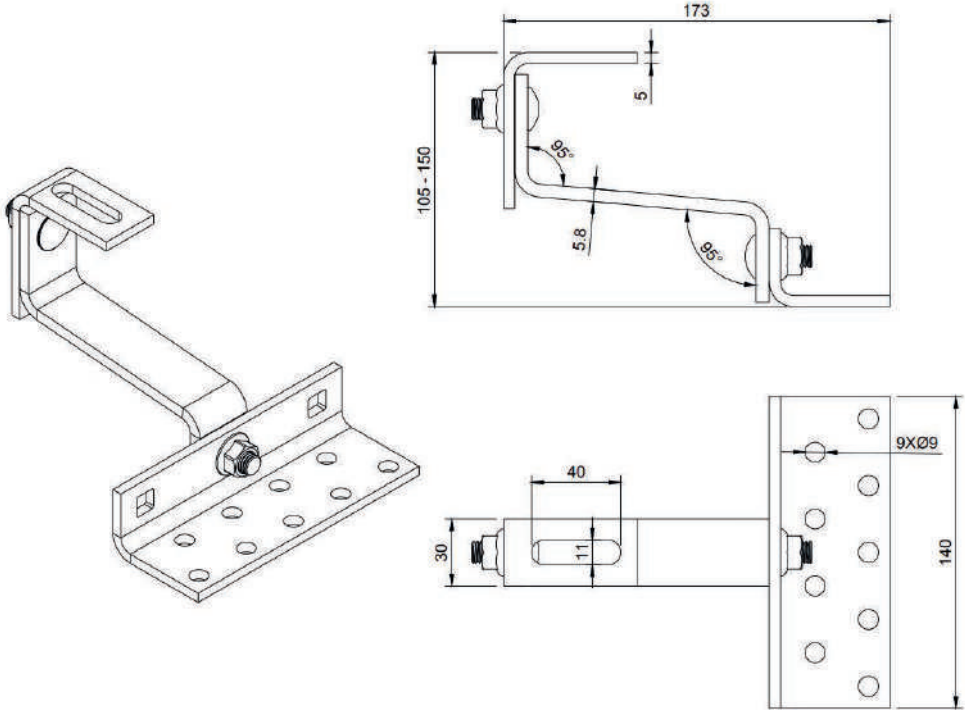


Roof hook double adjustable SS

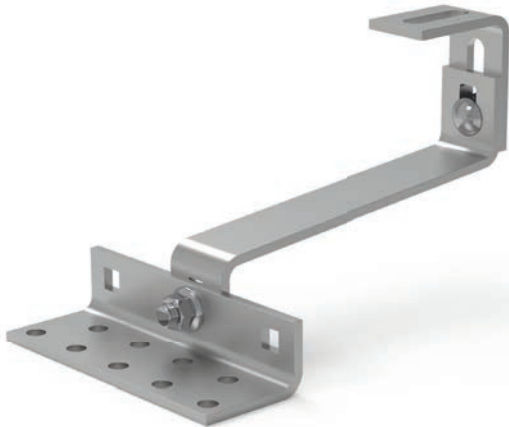
DATASHEET



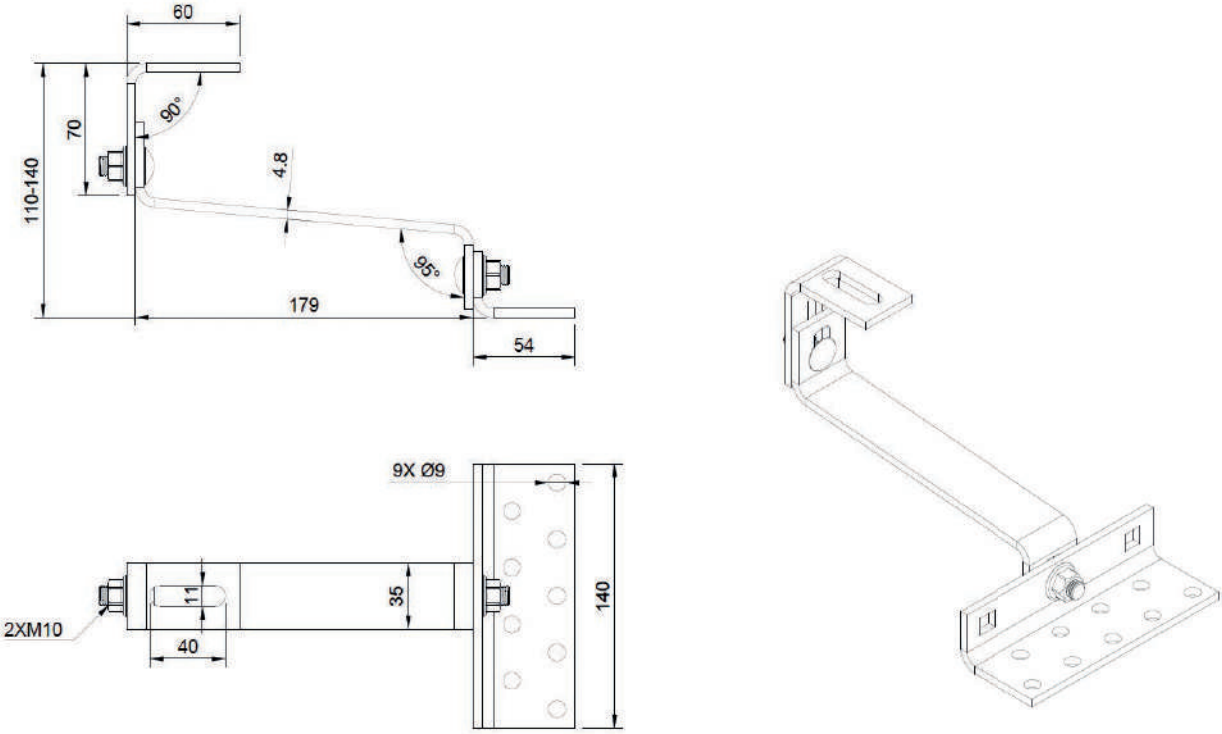
Article code	1AHM15DD001
Material	SS304
Color	SS
Weight	790 gr
Application	pitched roof, tiled roof
Packaging	30 pcs./carton, 1.200 pcs./pallet



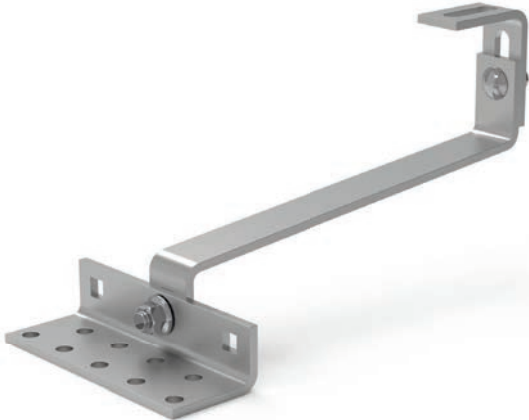
Roof hook double adjustable SS medium



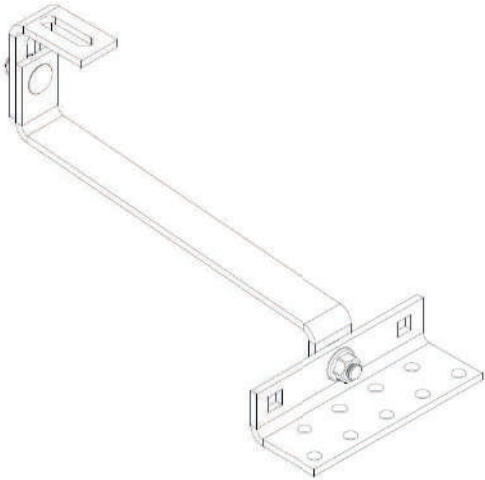
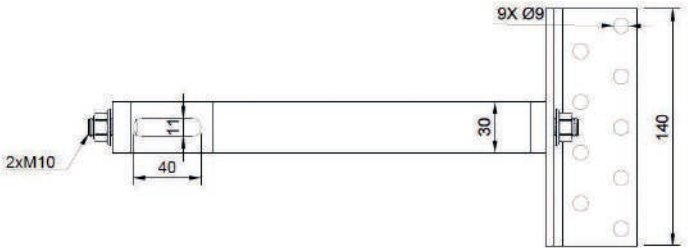
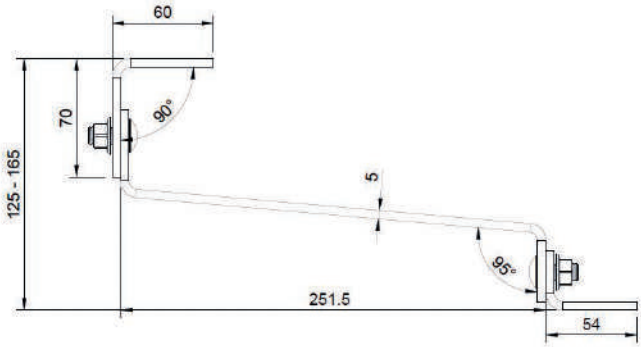
Article code	1AHM15DD004
Material	SS304
Color	SS
Weight	840 gr
Application	pitched roof, tiled roof
Packaging	30 pcs./carton, 720 pcs./pallet



Roof hook double adjustable plain tile



Article code	1AHM15DD002
Material	SS304
Color	SS
Weight	880 gr
Application	pitched roof, tiled roof
Packaging	30 pcs./carton, 720 pcs./pallet

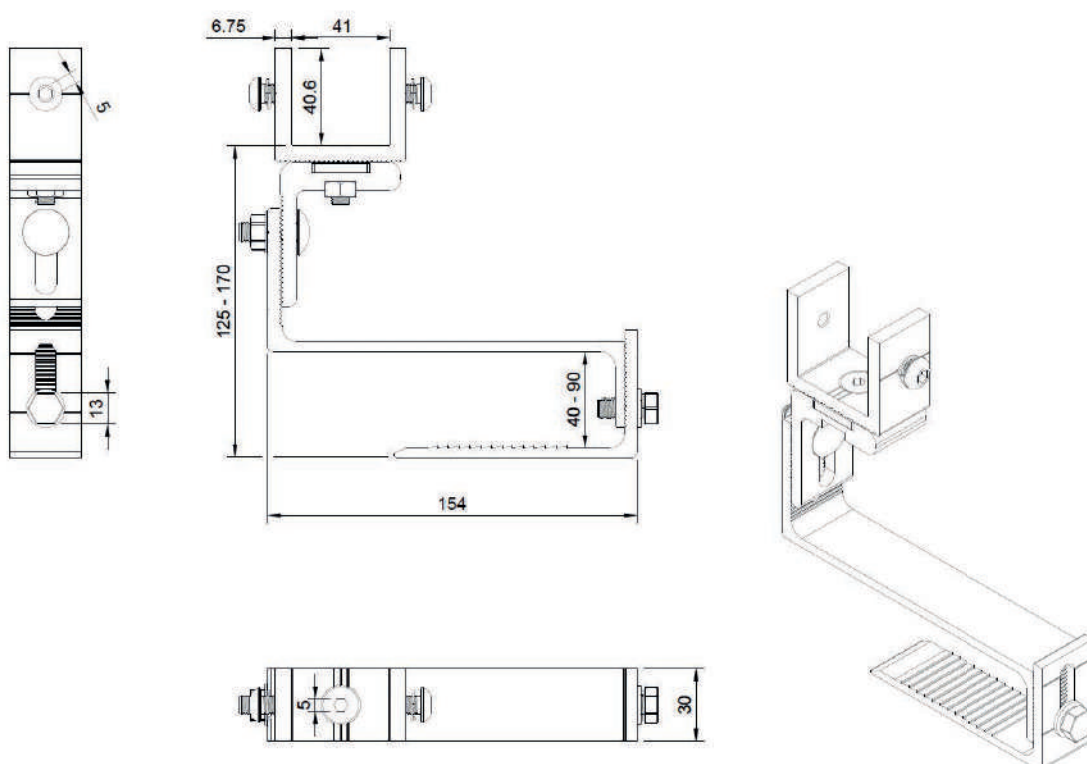


Roof hook adjustable hybrid

DATASHEET



Article code	1AHM15DD003
Material	ALU6063T5 + SSA2
Color	alu
Weight	330 gr
Application	pitched roof, tiled roof
Packaging	40 pcs./carton, 1.200 pcs./pallet

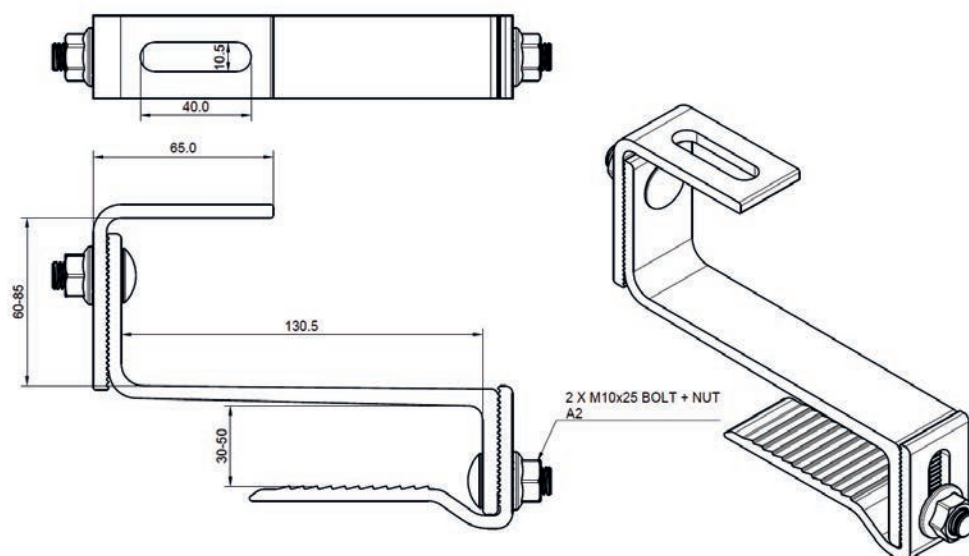


Roof hook double adjustable slide

DATASHEET



Article code	1AHM15DD007
Material	ALU6063T5 + SSA2
Color	alu
Weight	250 gr
Application	pitched roof, tiled roof
Packaging	80 pcs./carton, 1.440 pcs./pallet

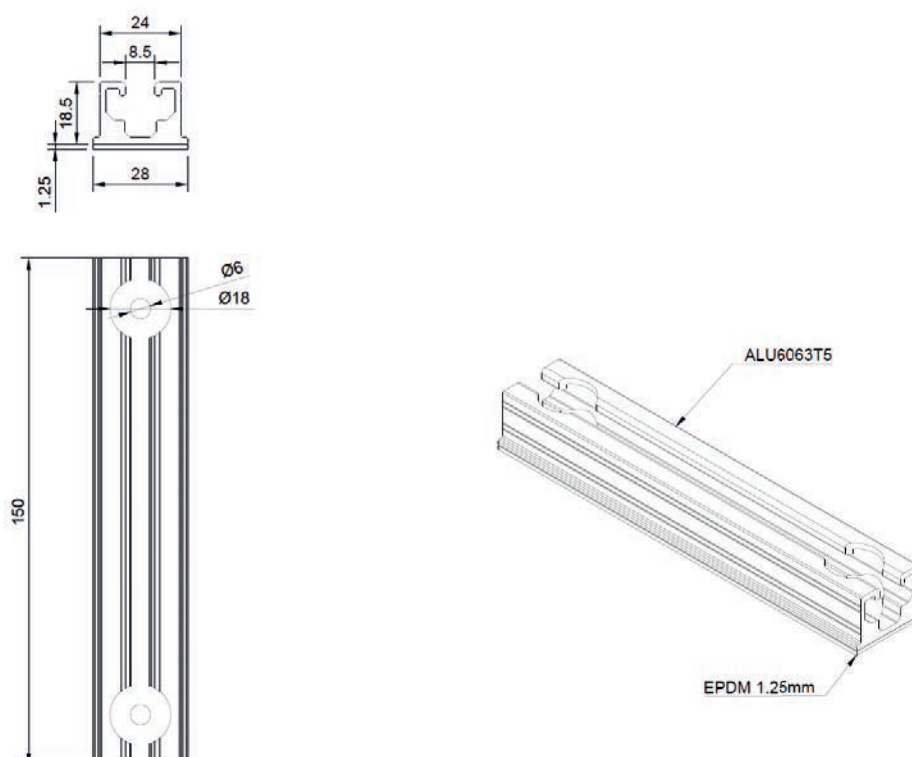


Steel deck plate landscape 15 cm

DATASHEET



Article code	1AHM15SD005
Material	ALU6063T5 + EPDM
Color	alu
Weight	90 gr
Application	pitched roof, steel deck trapezoid
Packaging	200 pcs./carton, 7.000 pcs./pallet

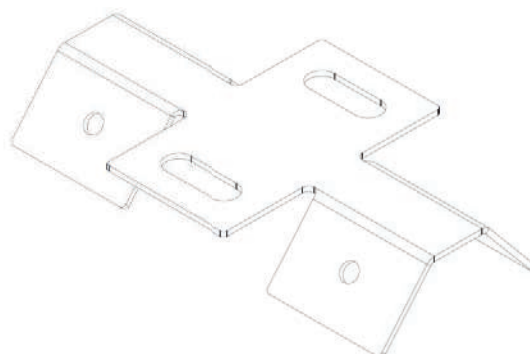
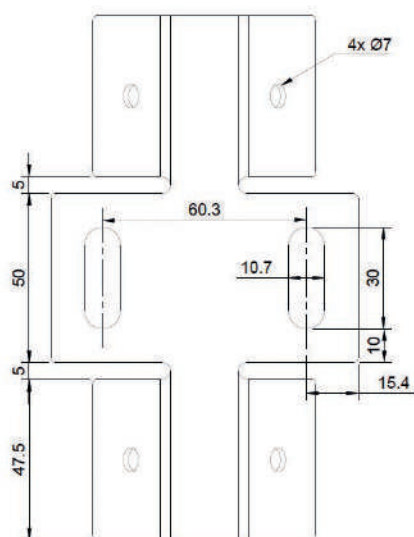
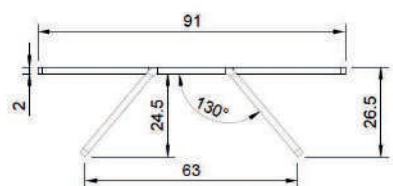


Steel deck plate SS

DATASHEET

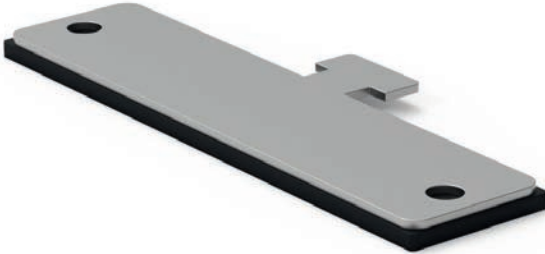


Article code	1AHM15SD001
Material	SS304
Color	SS
Weight	190 gr
Application	pitched roof, steel deck trapezoid
Packaging	bulk

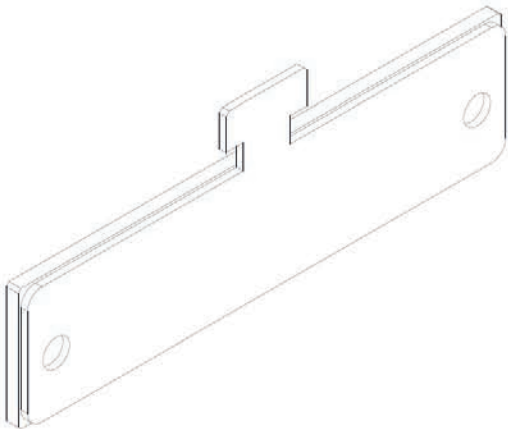
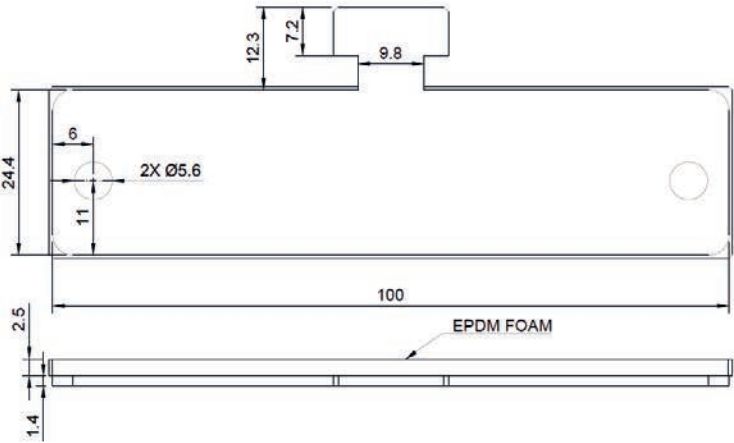


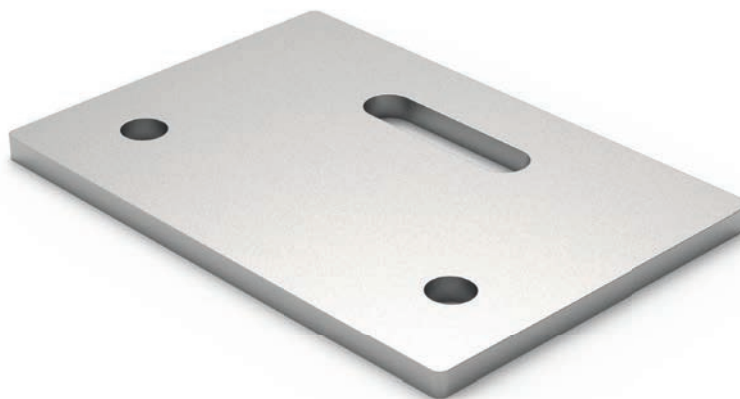
Steel deck connecting plate

DATASHEET

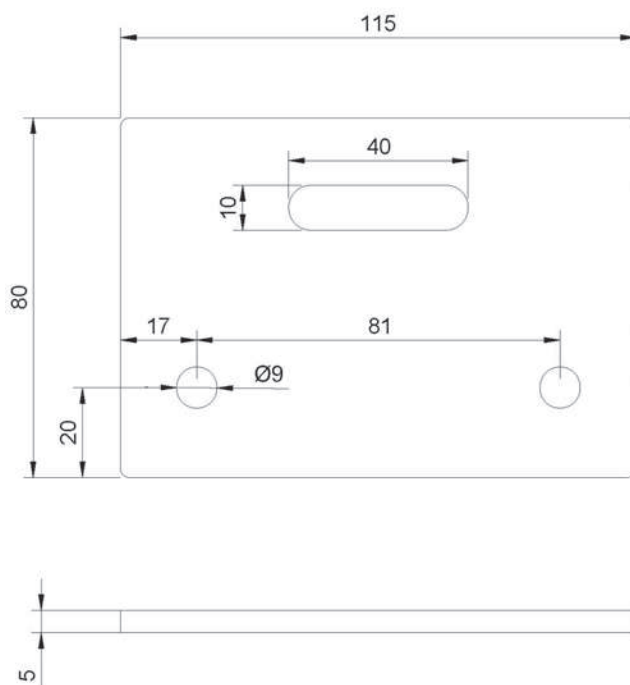


Article code	1AHM15SD004
Material	SS304 + EPDM
Color	SS
Weight	30 gr
Application	pitched roof, steel deck trapezoid
Packaging	300 pcs./carton, 30.000 pcs./pallet





Article code	1AHMACKV001
Material	ALU6063T5
Color	ALU
Weight	120 gr
Application	pitched roof, tiled roof, steel deck trapezoid, corrugated roof, slate roof, zinc roof

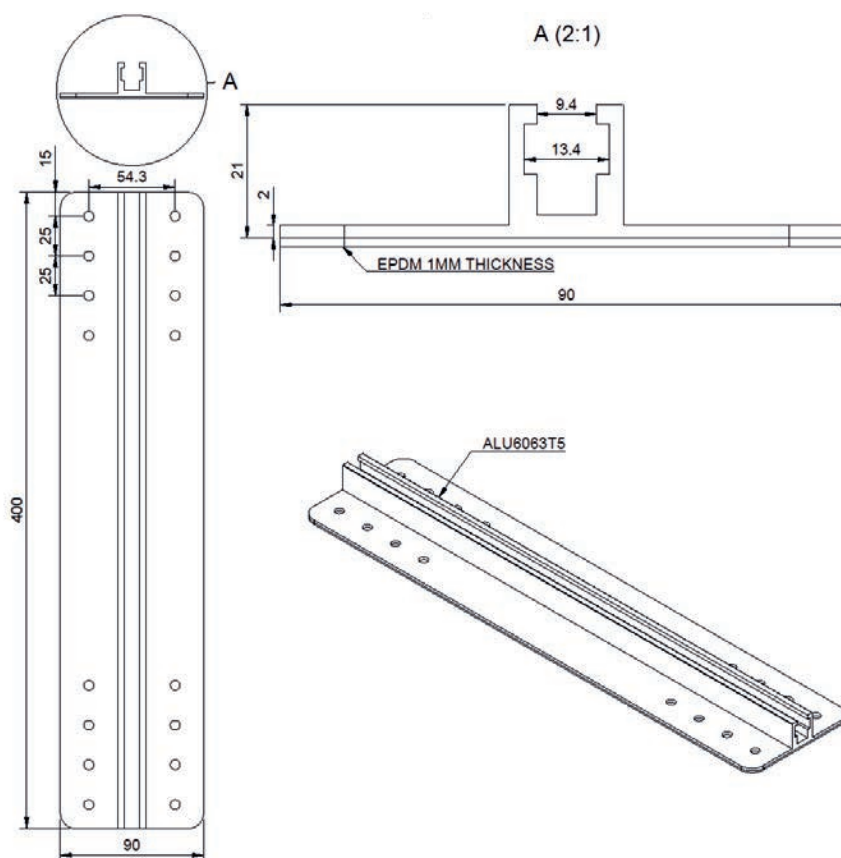


Steel deck plate portrait 40 cm

DATASHEET



Article code	1AHM15SD006
Material	ALU6063T5 + EPDM
Color	alu
Weight	410 gr
Application	pitched roof, steel deck trapezoid
Packaging	35 pcs./carton, 1.260 pcs./pallet

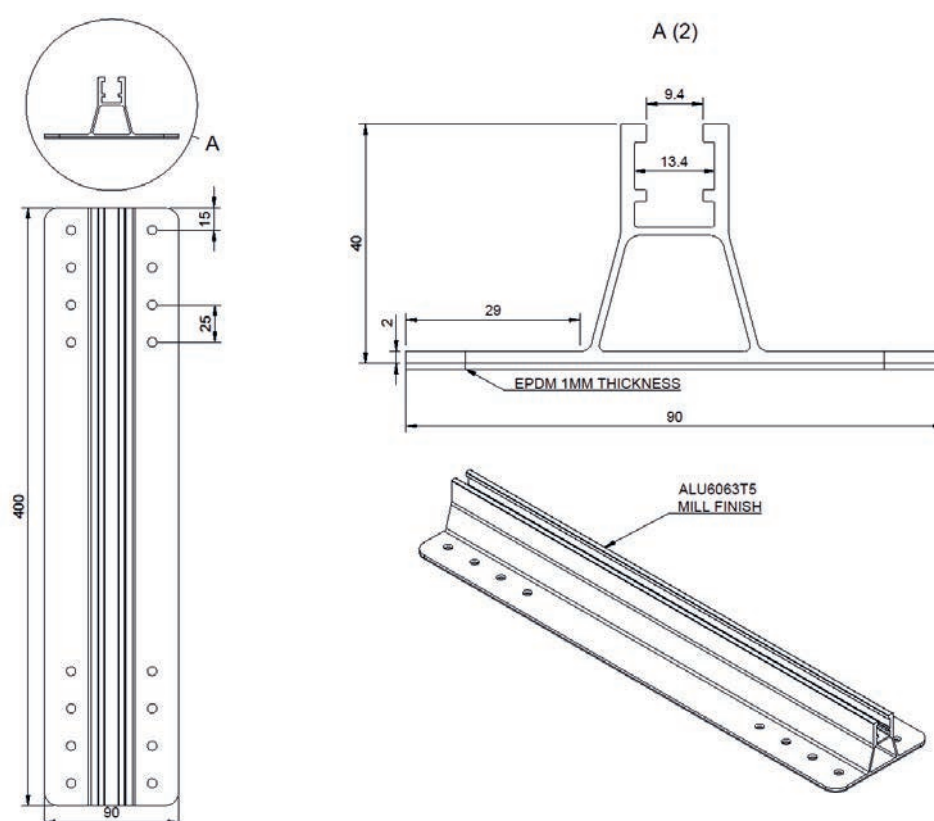


Steel deck plate 40 mm raised portrait 40 cm

DATASHEET



Article code	1AHM15SD008
Material	ALU6063T5 + EPDM
Color	alu
Weight	480 gr
Application	pitched roof, steel deck trapezoid
Packaging	35 pcs./carton, 630 pcs./pallet



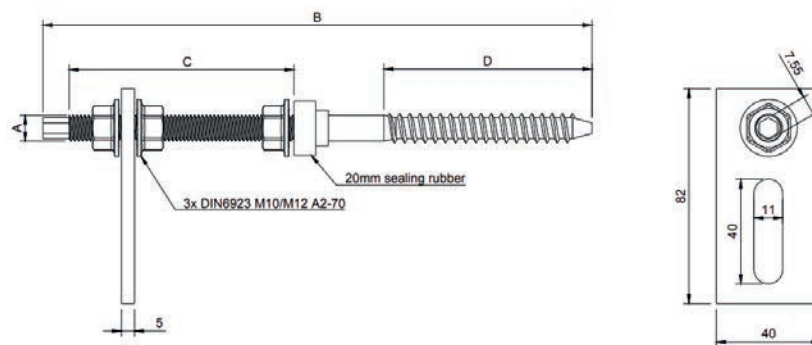
Hanger screw with mounting plate

DATASHEET



Article code	1AHM15SS004 (M10x200)
Material	SS304
Color	SS
Weight	220 gr
Application	pitched roof, corrugated roof
Packaging	50 pcs./carton

		A (in mm)	B (in mm)	C (in mm)	D (in mm)	kg
hanger screw M10x200	1AHM15SS004	10	200	85	67	0,220
hanger screw M10x250	1AHM15SS005	10	250	85	67	0,250
hanger screw M10x300	1AHM15SS007	10	300	150	67	0,275
hanger screw M12x300	1AHM15SS009	12	300	150	100	0,285
hanger screw M12x400	1AHM15SS010	12	400	220	100	0,470



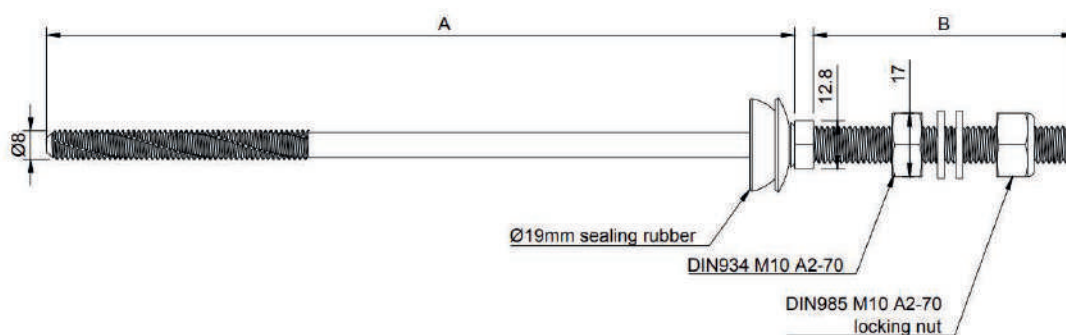
Hanger bolt for metal construction without mounting plate

DATASHEET



Article code	1AHM15SS026 (8x200/70)
Material	SS304
Color	SS
Weight	120 gr
Application	pitched roof, corrugated roof, steel beams
Packaging	10 pcs./carton

	A (in mm)	B (in mm)	kg
hanger bolt 8,00x200/50 1AHM15SS001	200	50	0,12
hanger bolt 8,00x200/70 1AHM15SS026	200	70	0,12
hanger bolt 8,00x100/50 1AHM15SS011	100	50	0,12
hanger bolt 8,00x150/70 1AHM15SS002	150	70	0,12

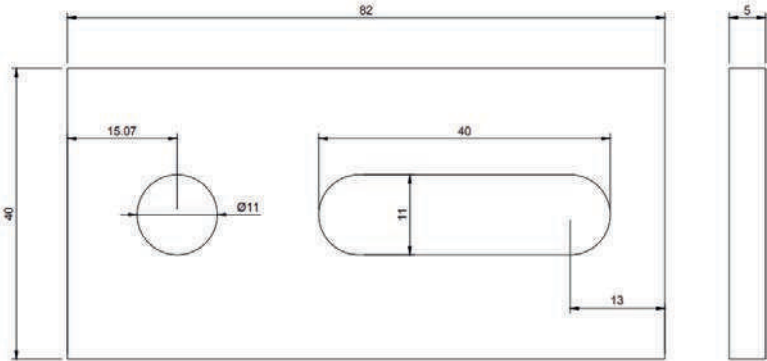


Mounting plate 110x40x5 mm

DATASHEET



Article code	1AHMACMP001
Material	SS304
Color	SS
Weight	140 gr
Application	pitched roof, corrugated roof, hanger bolt
Packaging	25 pcs./carton

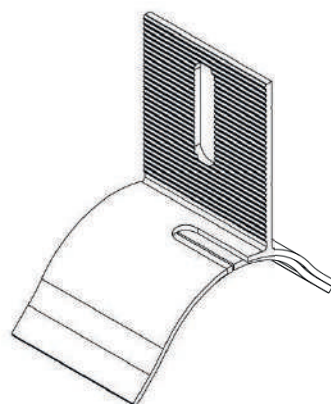
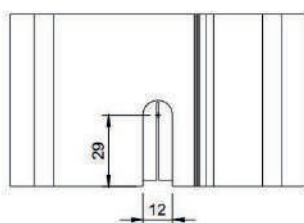
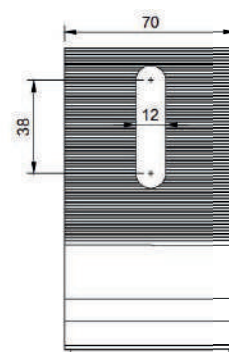
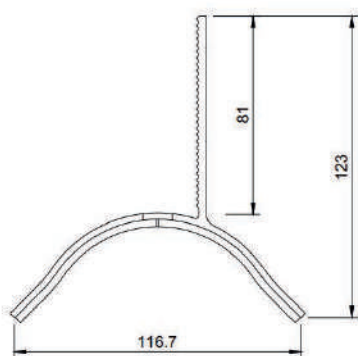


Hook corrugated sheet

DATASHEET

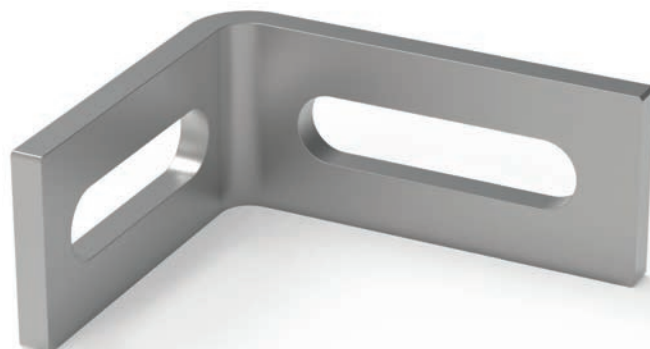


Article code	1AIN15DV007
Material	ALU6063 + EPDM
Color	alu
Weight	130 gr
Application	pitched roof, corrugated roof
Packaging	100 pcs./carton, 1.800 pcs./pallet

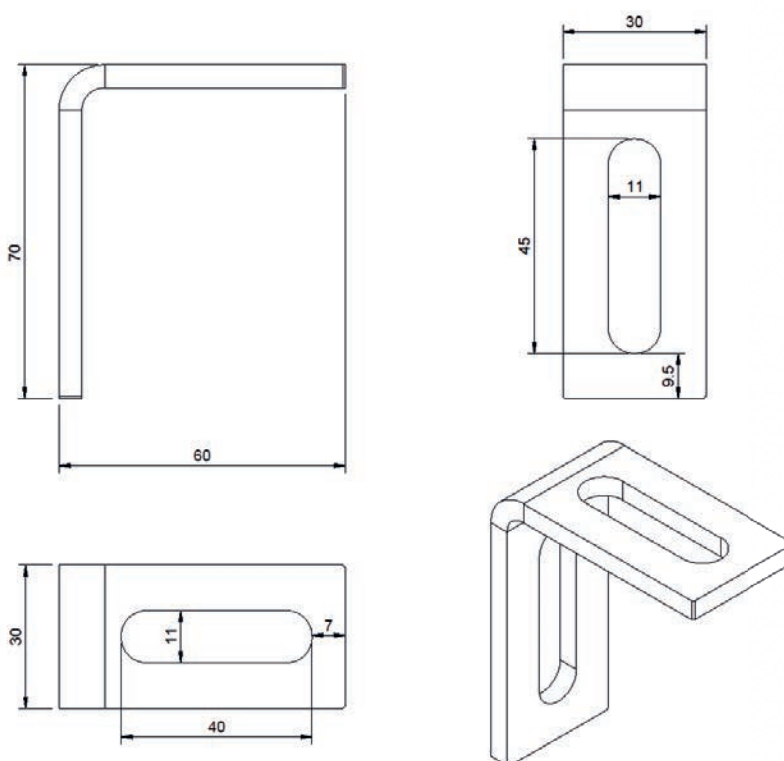


L-piece roof hook slate single adjustable

DATASHEET

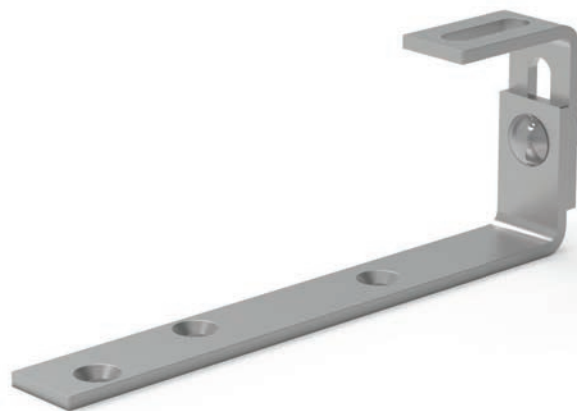


Article code	1AHM15AC003
Material	SS304
Color	SS
Weight	110 gr
Application	pitched roof, corrugated roof
Packaging	bulk

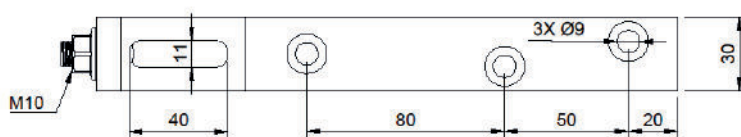
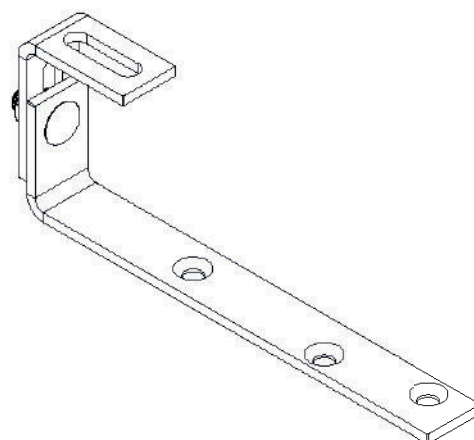
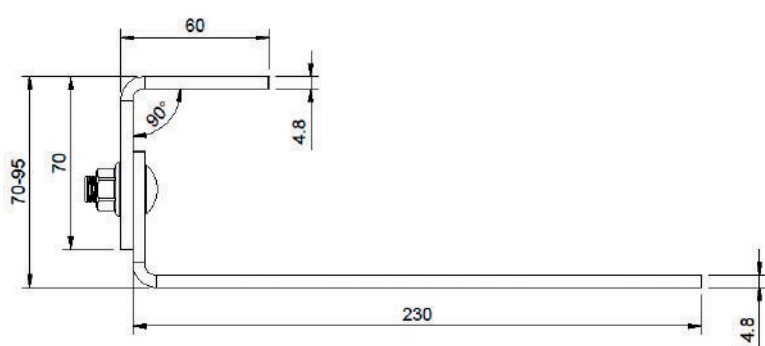


Roof hook single adjustable slate SS

DATASHEET



Article code	1AHM15DE002
Material	SS304
Color	SS
Weight	410 gr
Application	pitched roof, slate roof
Packaging	50 pcs./carton, 2.000 pcs./pallet

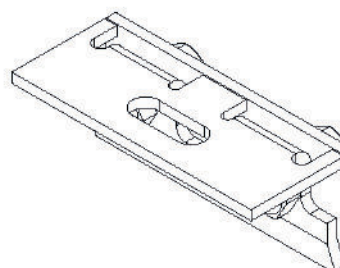
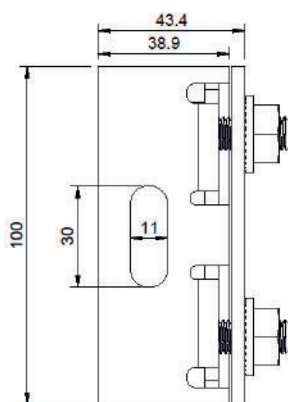
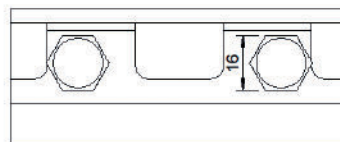
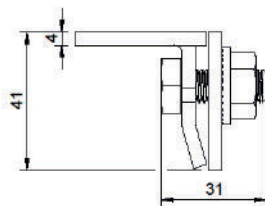


Kalzip roof clamp

DATASHEET



Article code	1AHM15DV006
Material	SS304
Color	SS
Weight	360 gr
Application	pitched roof, zinc roof
Packaging	50 pcs./carton, 3.000 pcs./pallet

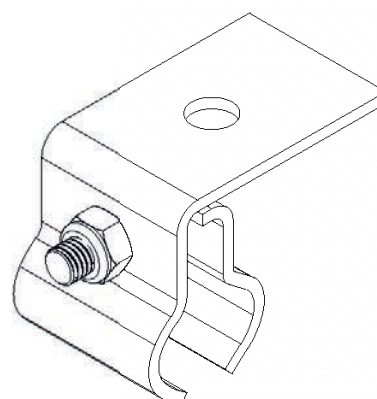
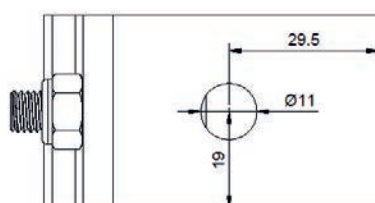
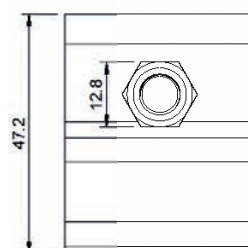
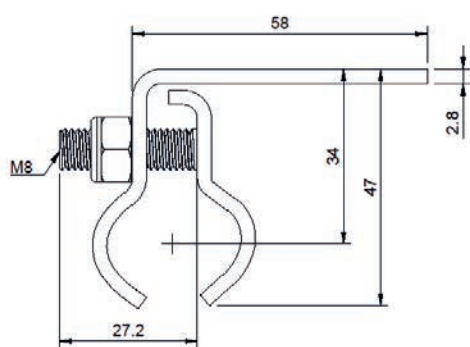


Kalzip clamp round

DATASHEET



Article code	1AHM15DV003
Material	SS304
Color	SS
Weight	140 gr
Application	pitched roof, zinc roof
Packaging	100 pcs./carton, 4.800 pcs./pallet



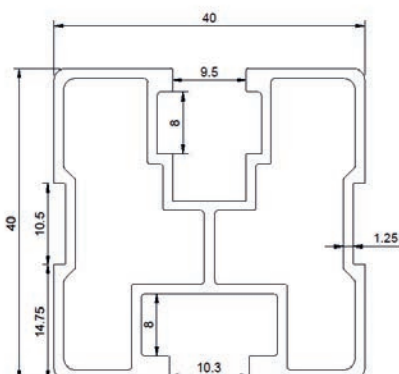
Profile Allimex ALLIHOME

DATASHEET



Article code	1AHM43AL033 (6,00 m alu) 1AHM43ZW033 (6,00 m zwart)
Material	ALU6063T5
Color	alu / black
Weight	860 gr / m
Application	pitched roof, tiled roof, steel deck trapezoid, corrugated roof, slate roof, zinc roof
Packaging	96 pcs./bundle

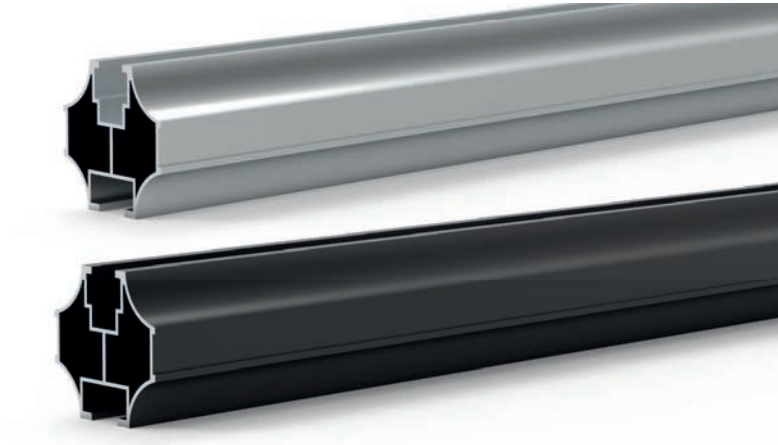
	Span (m)					
	1,20	1,30	1,40	1,50	1,60	
Maximum load (kg)*	0°	136	125	116	109	102
22°	132	122	113	105	99	
45°	144	133	124	116	108	



*These values do not include safety margin and only apply to setups where the profile is evenly supported by 3 points. Allimex Green Power is not responsible for incorrect use.

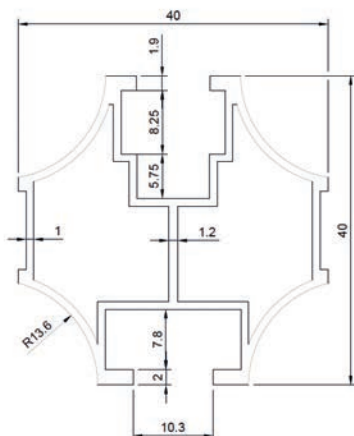
Profile Feather ALLiHOME

DATASHEET



Article code	1AHM43AL030 (6,00 m alu) 1AHM43ZW030 (6,00 m black)
Material	ALU6063T5
Color	alu / black
Weight	600 gr / m
Application	pitched roof, tiled roof, steel deck trapezoid, corrugated roof, slate roof, zinc roof
Packaging	96 pcs./bundle (per 3)

Maximum load (kg)*	Span (m)				
	1,20	1,30	1,40	1,50	1,60
0°	128	119	110	103	96
22°	151	139	129	120	113
45°	141	130	121	112	105



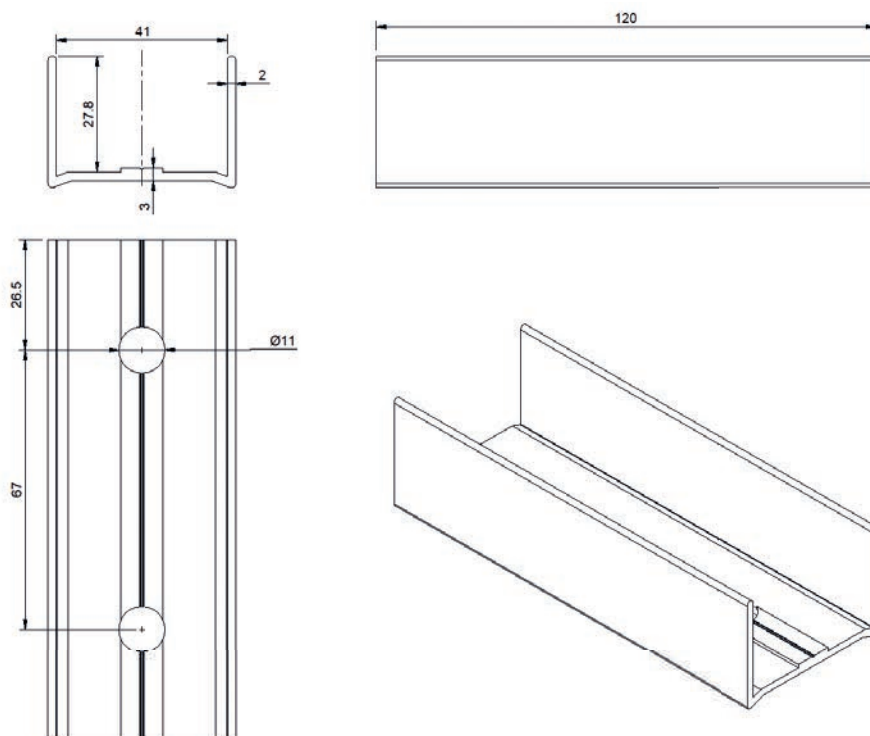
*These values do not include safety margin and only apply to setups where the profile is evenly supported by 3 points. Allimex Green Power is not responsible for incorrect use.

Profile connector 40 mm

DATASHEET



Article code	1AHMACPV001 (alu) 1AHMACPV002 (black)
Material	ALU6063T5
Color	alu / black
Weight	60 gr / m
Applicaton	pitched roof, tiled roof, steel deck trapezoid, corrugated roof, slate roof, zinc roof, profile Allimex
Packaging	1AHMACPV001 216 pcs./carton, 5.184 pcs./pallet 1AHMACPV002 300 pcs./carton, 7.200 pcs./pallet

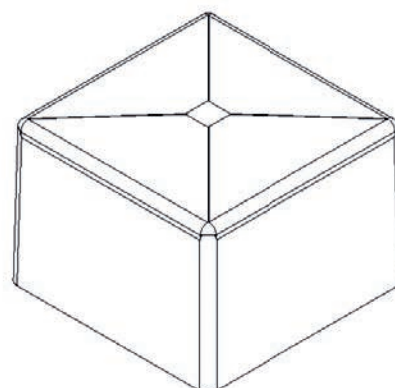
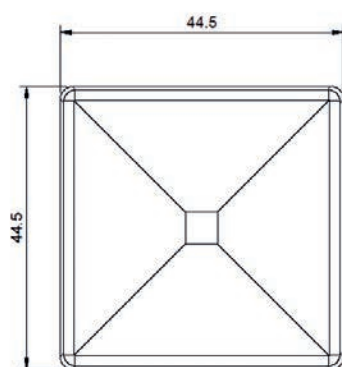
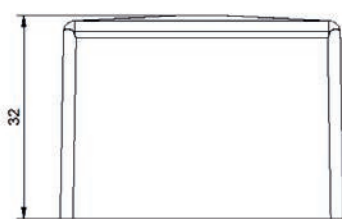


Stopper profile 40x40

DATASHEET

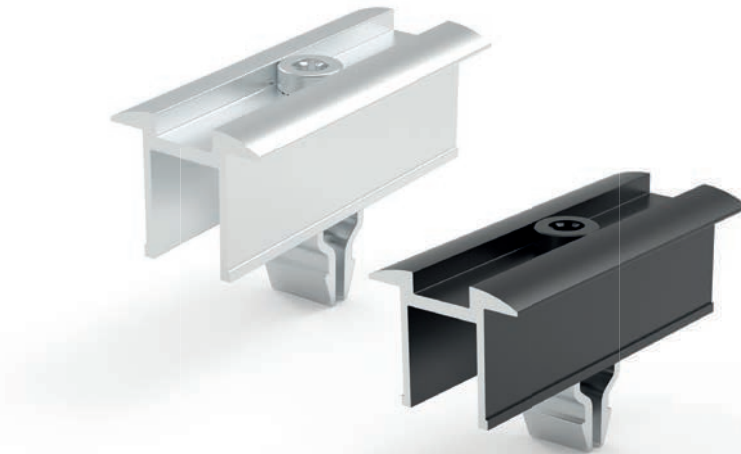


Article code	1AHMACPS002 (grey) 1AHM0ACPS001 (black)
Material	PE
Color	grey / black
Weight	10 gr
Application	pitched roof, tiled roof, steel deck trapezoid, corrugated roof, slate roof, zinc roof, profile Allimex
Packaging	100 pcs./carton, 8.000 pcs./pallet

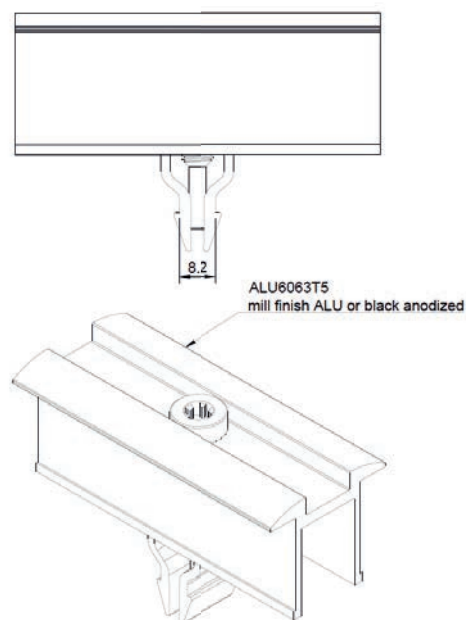
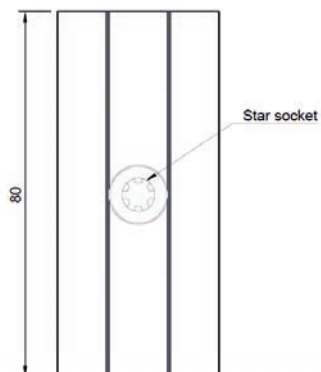
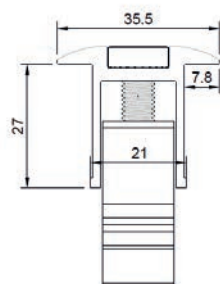


Middle clamp click 30-40 mm

DATASHEET

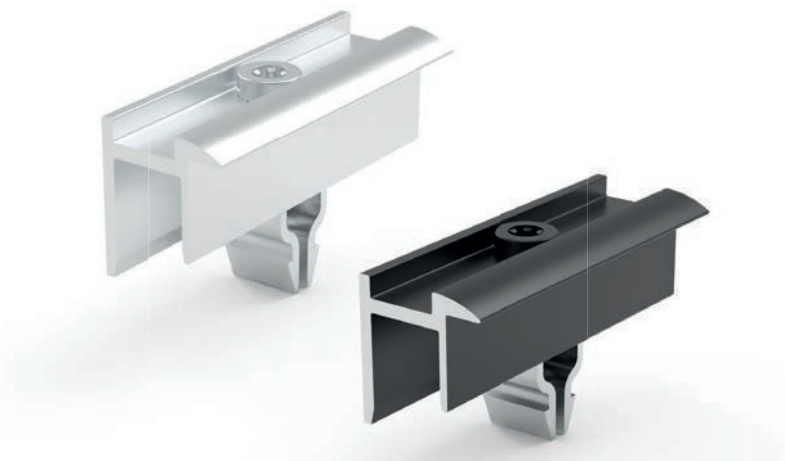


Article code	1AHM32KK003 (alu) 1AHM32KK004 (black)
Material	ALU6063T5 + A2
Color	alu / black
Weight	70 gr
Application	pitched roof, tiled roof, steel deck trapezoid, corrugated roof, slate roof, zinc roof
Packaging	100 pcs./carton, 4.800 pcs./pallet



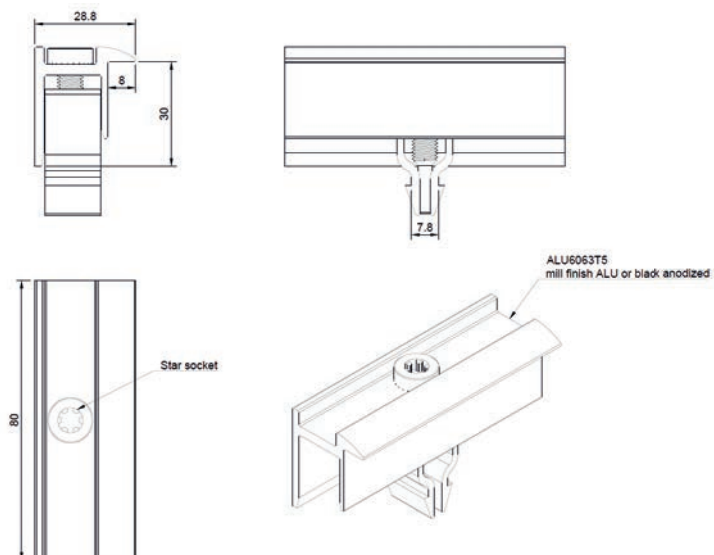
End clamp click 30 mm

DATASHEET



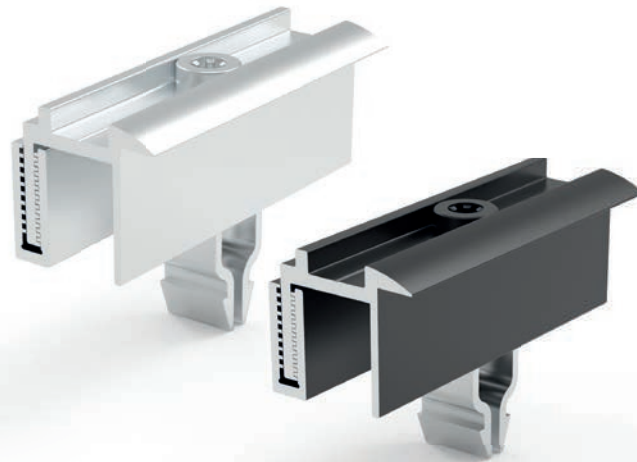
Article code	1AHM32KK024 (alu) 1AHM32KK025 (black)
Material	ALU6063T5 + A2
Color	alu / black
Weight	80 gr
Application	pitched roof, tiled roof, steel deck trapezoid, corrugated roof, slate roof, zinc roof
Packaging	100 pcs./carton, 4.800 pcs./pallet

	alu	black	kg
30 mm	1AHM32KK024	1AHM32KK025	0,08
35 mm	1AHM32KK010	1AHM32KK016	0,08

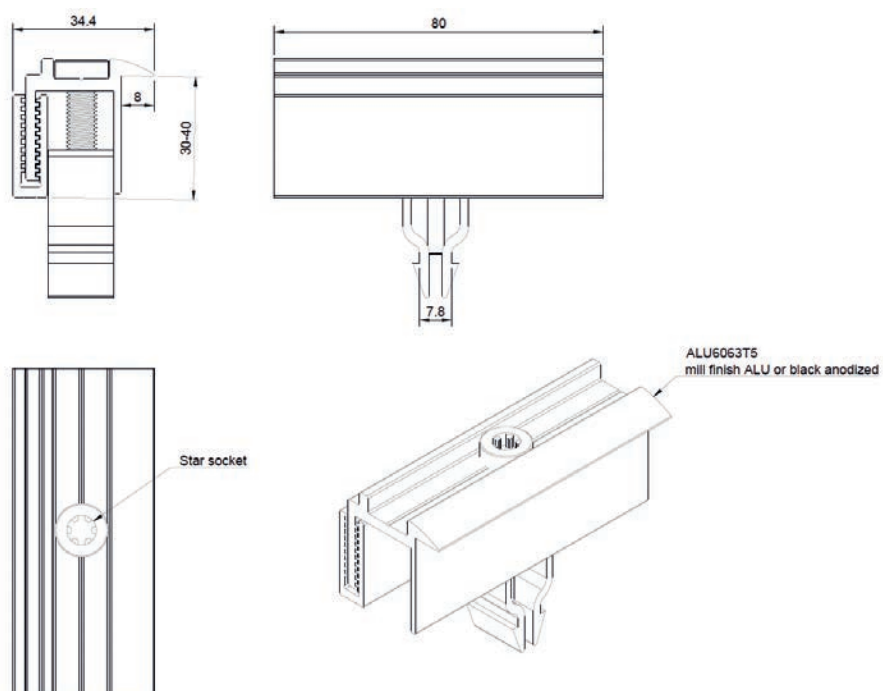


End clamp 30-40 mm

DATASHEET

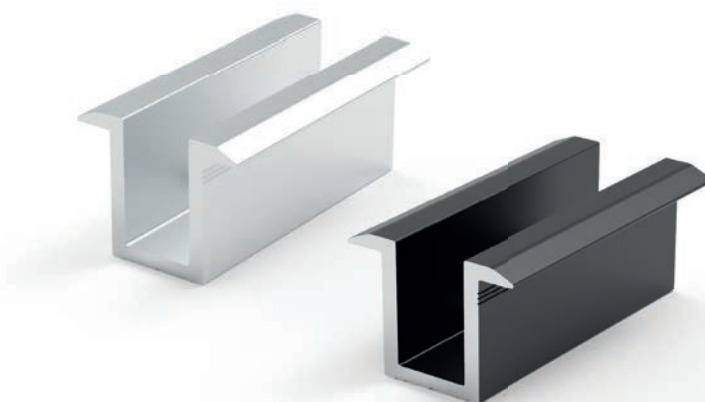


Article code	1AHM32KK008 (alu) 1AHM32KK009 (black)
Material	ALU6063T5 + A2
Color	alu / black
Weight	70 gr
Application	pitched roof, tiled roof, steel deck trapezoid, corrugated roof, slate roof, zinc roof
Packaging	100 pcs./carton, 4.800 pcs./pallet

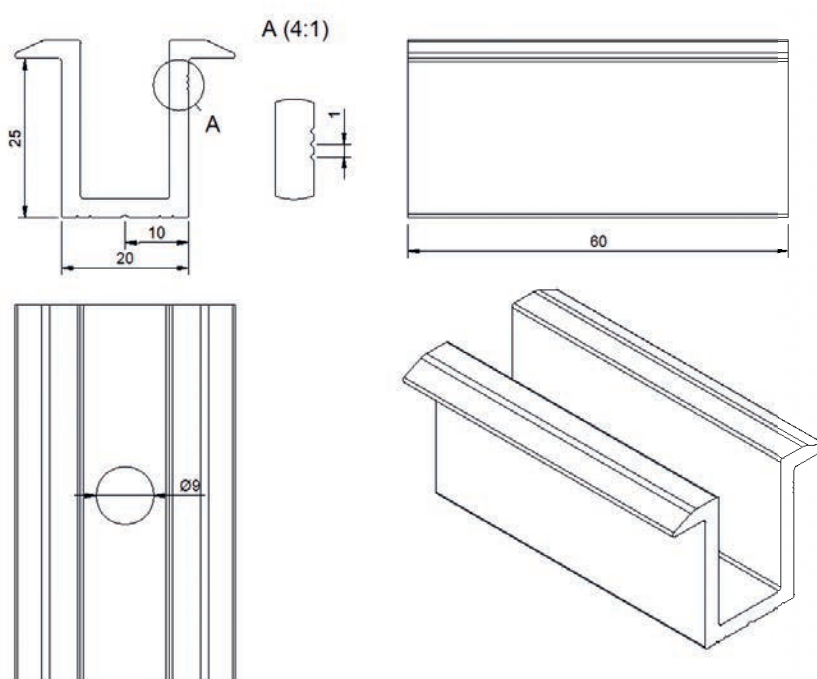


Middle clamp basic length 60 mm

DATASHEET



Article code	1AHM32SR085 (alu) 1AHM32SR086 (black)
Material	ALU6063T5
Color	alu / black
Weight	50 gr
Application	pitched roof, tiled roof, steel deck trapezoid, corrugated roof, slate roof, zinc roof, flat roof
Packaging	100 pcs./carton, 10.000 pcs./pallet



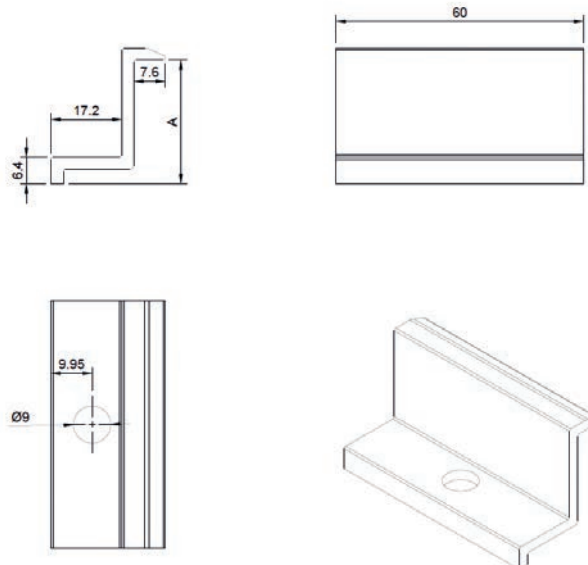
End clamp 30 mm length 60 mm

DATASHEET



Article code	1AHM32SR069 (alu) 1AHM32SR070 (black)	
Material	ALU6063T5	
Color	alu / black	
Weight	30 gr	
Application	pitched roof, tiled roof, steel deck trapezoid, corrugated roof, slate roof, zinc roof, flat roof	
Packaging	1AHM32SR069	300 pcs./carton, 27.000 pcs./pallet
	1AHM32SR070	300 pcs./carton, 28.800 pcs./pallet

	alu	black	kg
30 mm	1AHM32SR069	1AHM32SR070	0,03
35 mm	1AHM32SR071	1AHM32SR072	0,03



Hex bolt M10x30 Knurled nut M10

DATASHEET

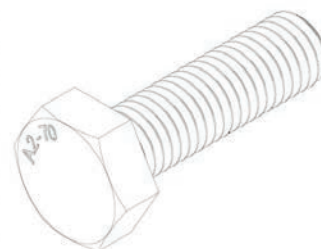
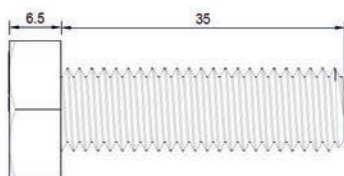


> Hex bolt M10x30

Article code	1AHM10BT037
Material	SSA2
Color	SS
Weight	25 gr
Application	pitched roof, tiled roof, steel deck trapezoid, corrugated roof, slate roof, zinc roof
Packaging	100 pcs./carton, 31.500 pcs./pallet

> Knurled nut M10x30

Article code	1AHM10MR001
Material	SSA2
Color	SS
Weight	10 gr
Application	hex bolt M10x30
Packaging	100 pcs./carton, 50.400 pcs./pallet



Allen bolt M8x20

Spring ball nut M8

DATASHEET

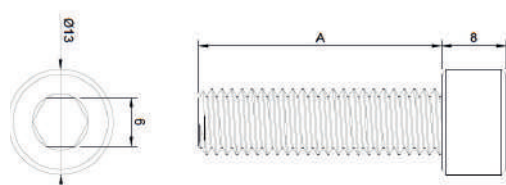


> Allen bolt M8x20

Article code	1AHM10BT015
Material	SSA2
Color	SS
Application	pitched roof, tiled roof, steel deck trapezoid, corrugated roof, slate roof, zinc roof
Packaging	100 pcs./carton

> Spring ball nut M8

Article code	1AHM10MR004
Material	SSA2 + ALU6061
Color	SS
Weight	4 gr
Application	Allen bolt M8x20
Packaging	100 pcs./carton



	alu	kg
M8x20	1AHM10BT015	0,01
M8x25	1AHM10BT017	0,02
M8x30	1AHM10BT019	0,02

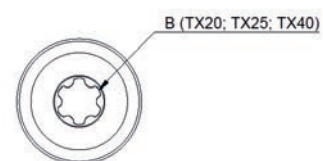
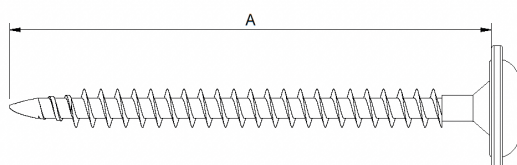
Wood screw 8x80 TX40

DATASHEET



Article code	1AHM46HT004 (8x80 TX40)
Material	SSA2
Color	SS
Weight	10 gr
Application	pitched roof, tiled roof, slate roof
Packaging	100 pcs./carton, 19.000 pcs./pallet

A	B		kg
6x70	TX25	1AHM46HT001	0,01
8x60	TX40	1AHM46HT002	0,02
8x70	TX40	1AHM46HT003	0,02
8x80	TX40	1AHM46HT004	0,02



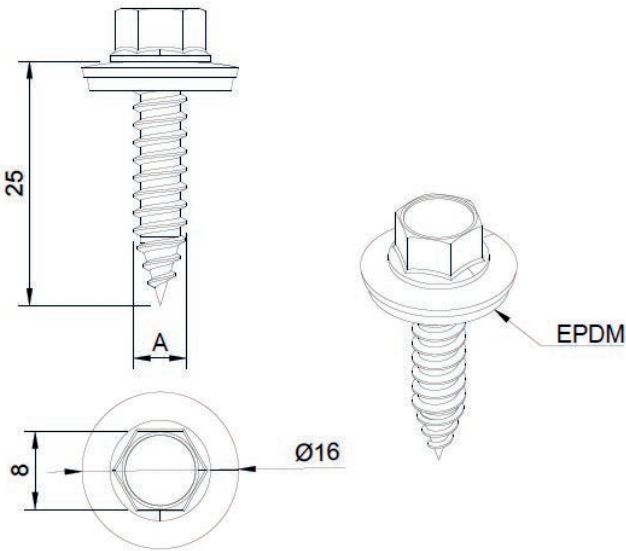
Bi-metal screw for steel deck 6,0x25

DATASHEET



Article code	1AHM46BM003
Material	SSA2
Color	SS
Weight	10 gr
Application	pitched roof, steel deck trapezoid
Packaging	100 pcs./carton, 50.400 pcs./outer carton

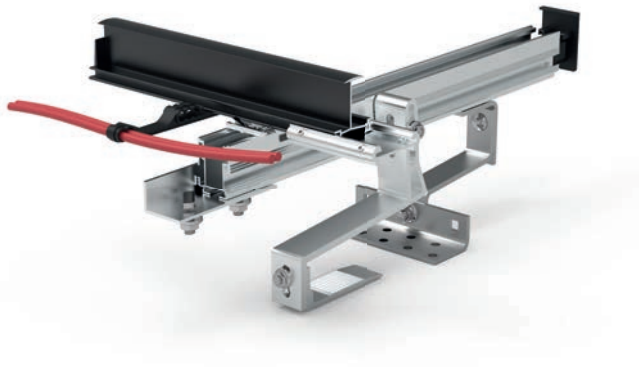
A		kg
4,5x25	1AHM46BM001	0,01
5,5x25	1AHM46BM004	0,01
6,0x25	1AHM46BM003	0,01





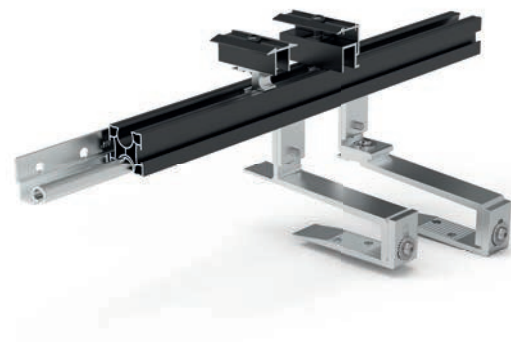


Discover our other mounting systems



ALLiN >

The well-known inlay mounting system. You install solar panels quickly and easily by sliding them into the profiles. Without clamps!



ALLiSLIDE >

Our hybrid mounting system with a minimum amount of components. Suitable for sliding and screwing, in landscape and portrait orientation.







Scan the QR code for more information about ALLiHOME

Allimex Green Power

0169-0324-EN Subject to changes and/or printing errors.

Headquarters

Transportstraat 1B
3980 Tessenderlo, Belgium

> +32 (0)11 46 00 70
info@allimex-greenpower.eu

> allimexgreenpower.com
We care. We dare. We deliver

