

ALLiN

Mounting materials



THE RIGHT MOUNTING
SYSTEM FOR EVERY ROOF

Allimex Green
Power





ALLiN

Inlay mounting system

The well-known inlay mounting system for various types of pitched roofs. With this on-roof inlay system, solar panels can be installed quickly and easily by sliding them in the mounting profiles. Without any screws or clamps!

COMPATIBLE >

ALLiN is designed for different pitched roof types and is suitable for landscape and portrait mounting.

The system is compatible with 99% of all solar panels.

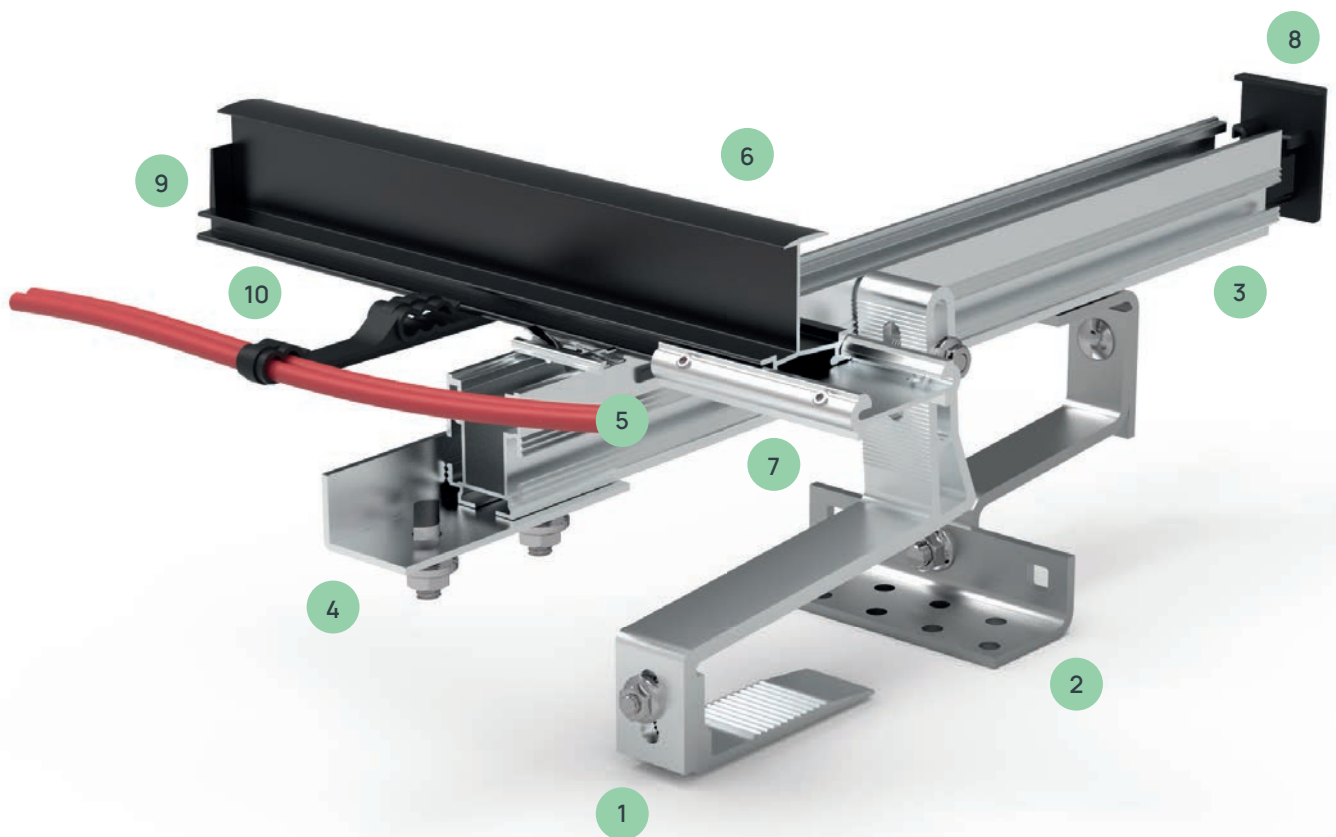
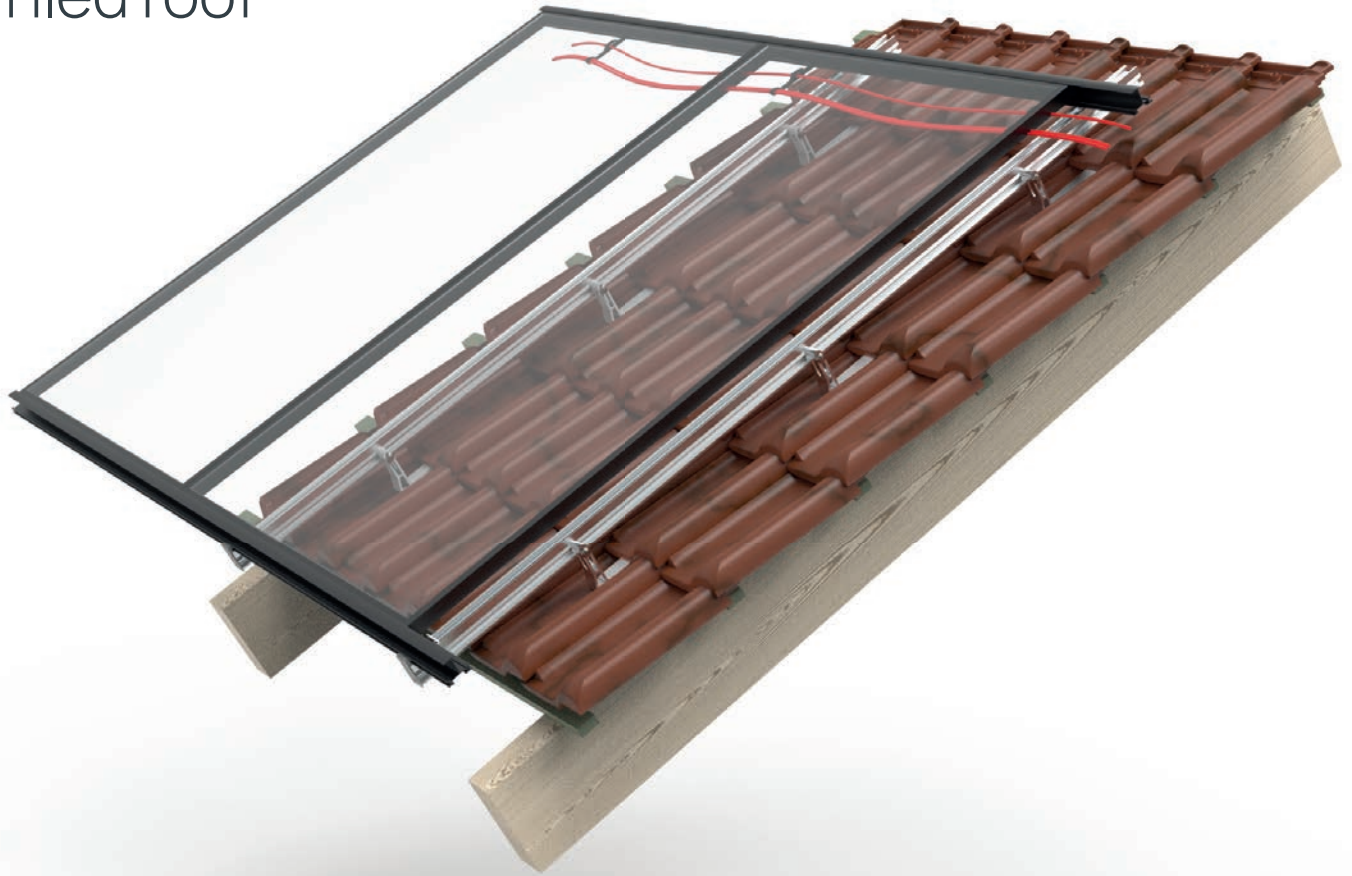
HIGH-PERFORMING >

You don't need any screws or clamps; this works significantly faster and reduces the risk of microcracks. The profiles give you more room for optimizers and power cables.

ATTRACTIVE >

With ALLiN, you place the panels against each other in a closed field with no clamping distance or protruding profiles. ALLiN is also available in a black version for a sleek finish.

Tiled roof

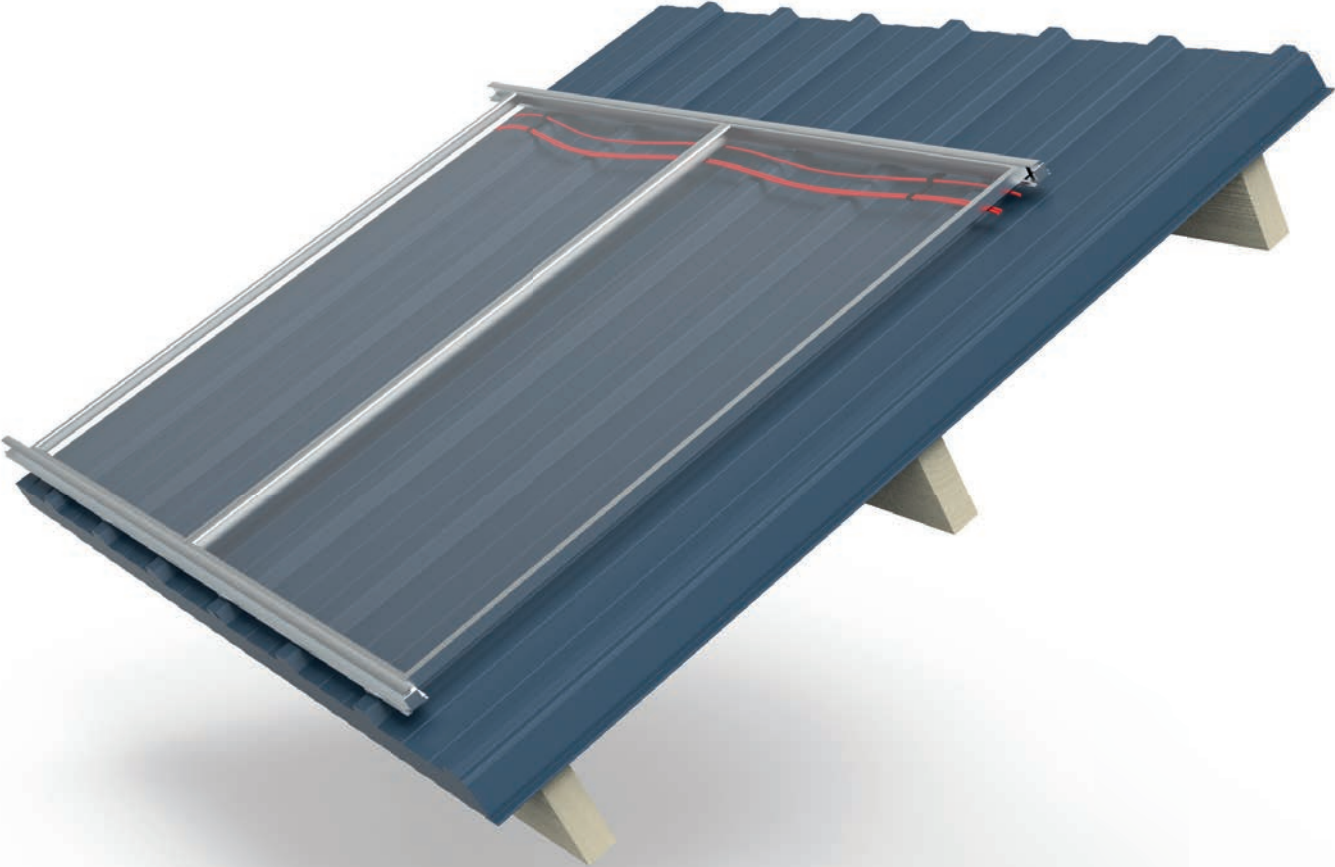


Components






	Article code	Article description	Datasheet
1	 1AIN15DE001	Roof hook ALLiN single adjustable	p. 11
	 1AHM10BT006 1AHM10MR003	Hammerhead bolt M8x53 Knurled nut M8	p. 26
2	 1AHM15DD001	Roof hook double adjustable	p. 12.
	 1AHM10BT003 1AHM10MR001	Hammerhead bolt M10x30 Knurled nut M10	p. 27
3	 1AIN43AL001 1AIN43ZW008	Bottom profile ALLiN 6,20 m alu Bottom profile ALLiN 6,20 m black	p. 18
4	 1AIN43PV003	Profile connector bottom profile ALLiN sideways (2x hammerhead bolt M10x20, knurled nut M10)	p. 19
5	 1AIN15DV004	Bracket ALLiN with bolt and nut	p. 20
6	 1AIN43AL017 1AIN43ZW011	Profile ALLiN 30 mm 6,20 m alu Profile ALLiN 30 mm 6,20 m black <i>Other lengths available on request</i>	p. 21
7	 1AIN43AC003	Profile connector ALLiN with 2x M6 bolt alu	p. 22
8	 1AIN43AC005 1AIN43AC004	Stopper bottom profile ALLiN grey Stopper bottom profile ALLiN black	p. 23
9	 1AIN43AC001 1AIN43AC002	Endpiece profile ALLiN low with M6 grey Endpiece profile ALLiN low with M6 black	p. 24
10	 1AIN99AC001	Cable clip ALLiN	p. 25

Steel deck trapezoid



Components



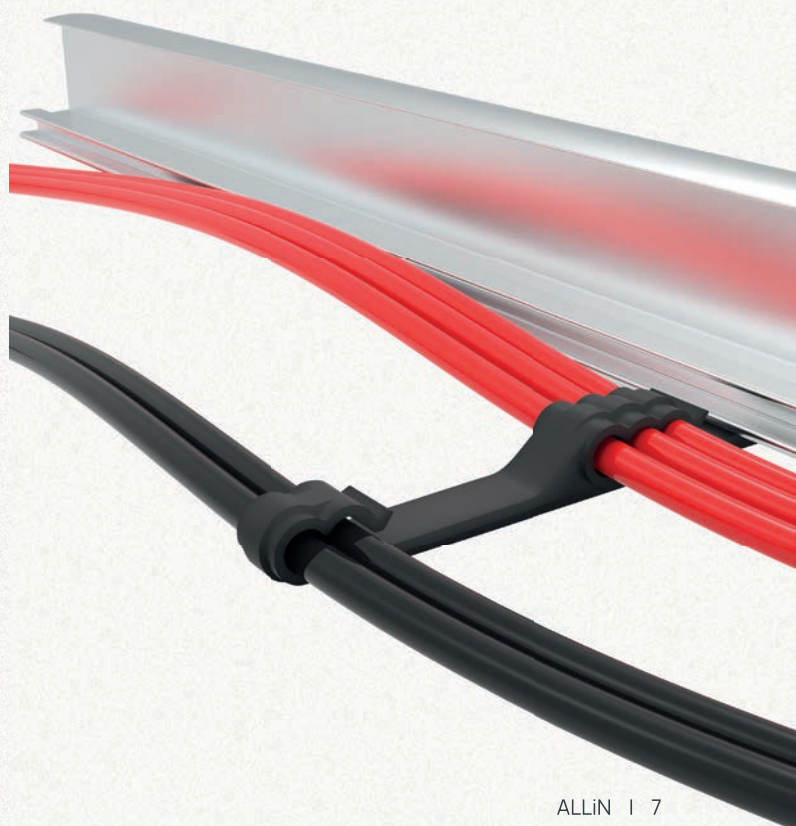
	Article code	Article description	Datasheet
1	 1AIN15DV003	Bracket ALLiN with EPDM for steel deck low	p. 13
2	 1AIN43AL017 1AIN43ZW011	Profile ALLiN 30 mm 6,20 m alu Profile ALLiN 30 mm 6,20 m black <i>Other lengths available on request</i>	p. 21
3	 1AIN43AC003	Profile connector ALLiN with 2x M6 bolt alu	p. 22
4	 1AIN43AC001 1AIN43AC002	Endpiece profile ALLiN low with M6 grey Endpiece profile ALLiN low with M6 black	p. 24
5	 1AIN99AC001	Cable clip ALLiN	p. 25

> CABLE CLIP

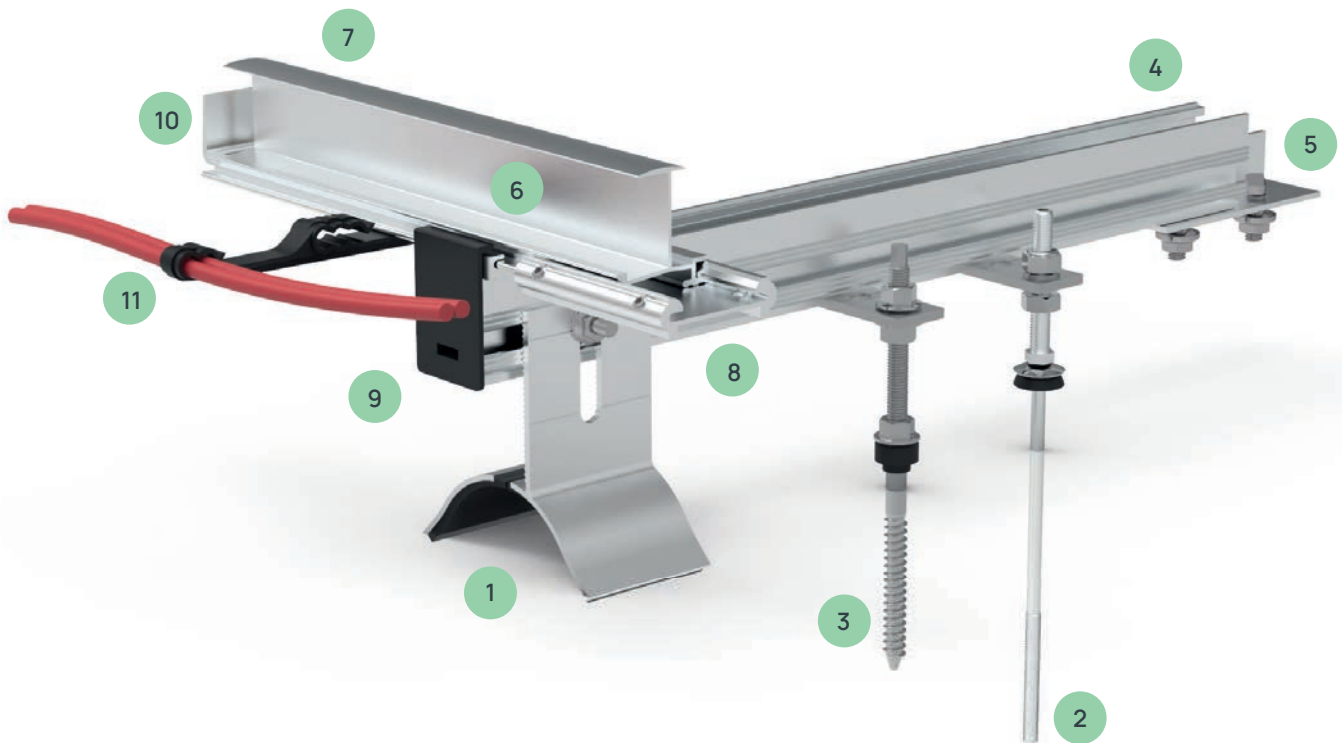
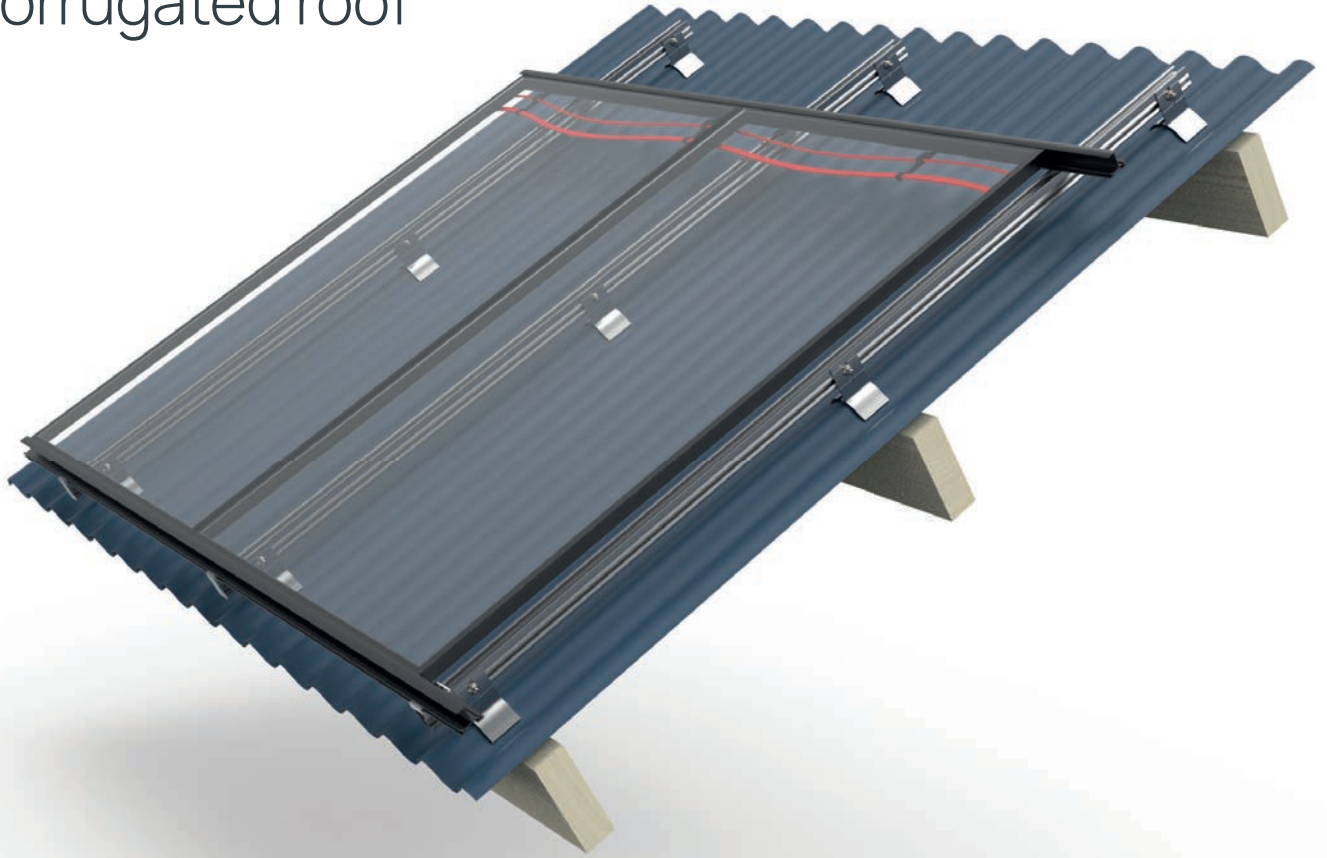
Go for optimal **cable management** with our cable clips for the ALLiN inlay system.

- You quickly and easily screw the cable clip under any inlay profile.
- Then, the cables are attached in the provided holders.

The black cable clip is attractive, UV-resistant and easy to handle. This cable clip ensures a safe solar installation.



Corrugated roof



Components



	Article code	Article description	Datasheet
1	 1AIN15DV007	Hook ALLiN corrugated sheet	p. 14
2	 1AHM15SS026	Hanger bolt for metal construction 8x200/70	p. 15
	 1AHMACMP001	Mounting plate 110x40x5 mm	p. 16
3	 1AHM15SS004	Hanger screw with mounting plate M10x200	p. 17
	 1AHM10BT003 1AHM10MR001	Hammerhead bolt M10x30 Knurled nut M10	p. 27
4	 1AIN43AL001 1AIN43ZW008	Bottom profile ALLiN 6,20 m alu Bottom profile ALLiN 6,20 m black	p. 18
5	 1AIN43PV003	Profile connector bottom profile ALLiN sideways (2x hammerhead bolt M10x20, knurled nut M10)	p. 19
6	 1AIN15DV004	Bracket ALLiN with bolt and nut	p. 20
7	 1AIN43AL017 1AIN43ZW011	Profile ALLiN 30 mm 6,20 m alu Profile ALLiN 30 mm 6,20 m black <i>Other lengths available on request</i>	p. 21
8	 1AIN43AC003	Profile connector ALLiN with 2x M6 bolt alu	p. 22
9	 1AIN43AC005 1AIN43AC004	Stopper bottom profile ALLiN grey Stopper bottom profile ALLiN black	p. 23
10	 1AIN43AC001 1AIN43AC002	Endpiece profile ALLiN low with M6 grey Endpiece profile ALLiN low with M6 black	p. 24
11	 1AIN99AC001	Cable clip ALLiN	p. 25



> **TESTED AND APPROVED**

We attach great importance to the safety of our systems. We were the first manufacturer to have the inlay system tested for steel deck and corrugated roofs. Based on the results, we further improved our range.

ALLiN was tested for mechanical loads (compressive and suction forces) and underwent several wind tunnel tests. We incorporated the results of the tests into our calculation software.

> **RELEASE TOOL**

Our brackets for the inlay system have a spring that makes them extra sturdy. This makes it a little more difficult to release a misplaced profile.

Thanks to our release tool, you can “click” the profile out of the brackets more easily. You push the spring down with the tool, and with the other hand you easily click the rail loose.

See datasheet at p.28

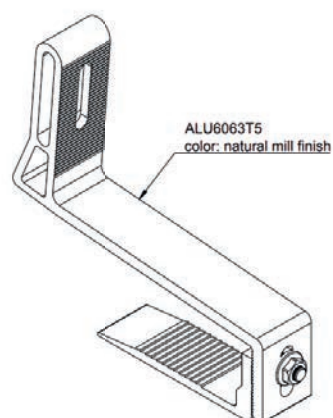
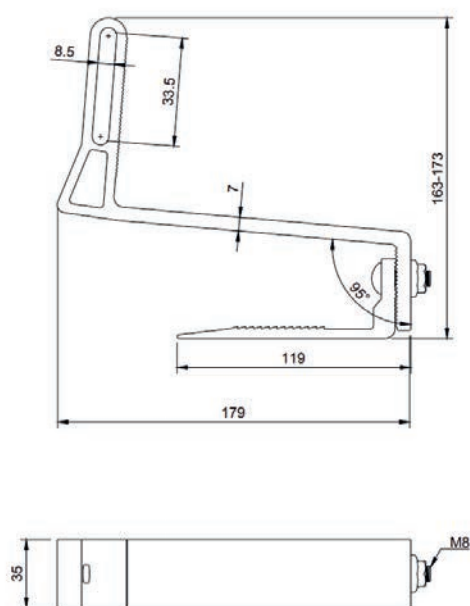


Roof hook ALLiN single adjustable

DATASHEET



Article code	1AIN15DE001
Material	ALU6063T5
Color	alu
Weight	310 gr
Application	pitched roof, tiled roof

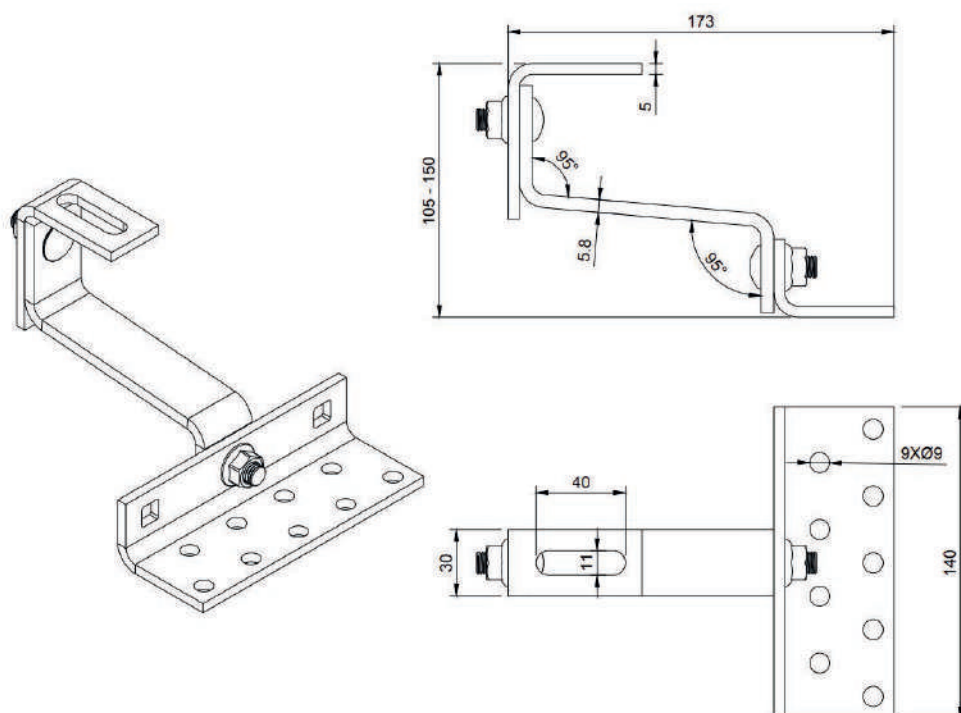


Roof hook double adjustable

DATASHEET

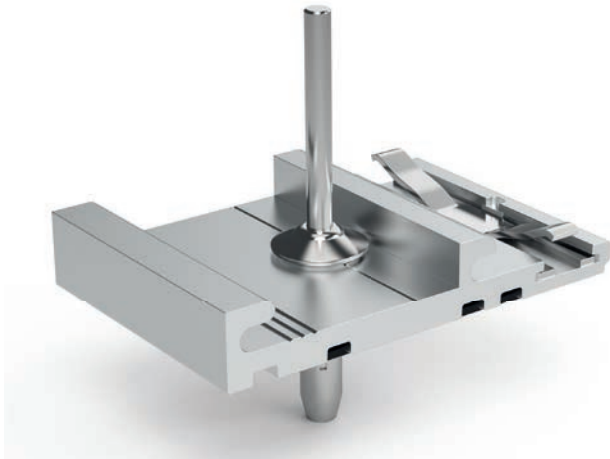


Article code	1AHM15DD001
Material	SS304
Color	SS
Weight	790 gr
Application	pitched roof, tiled roof

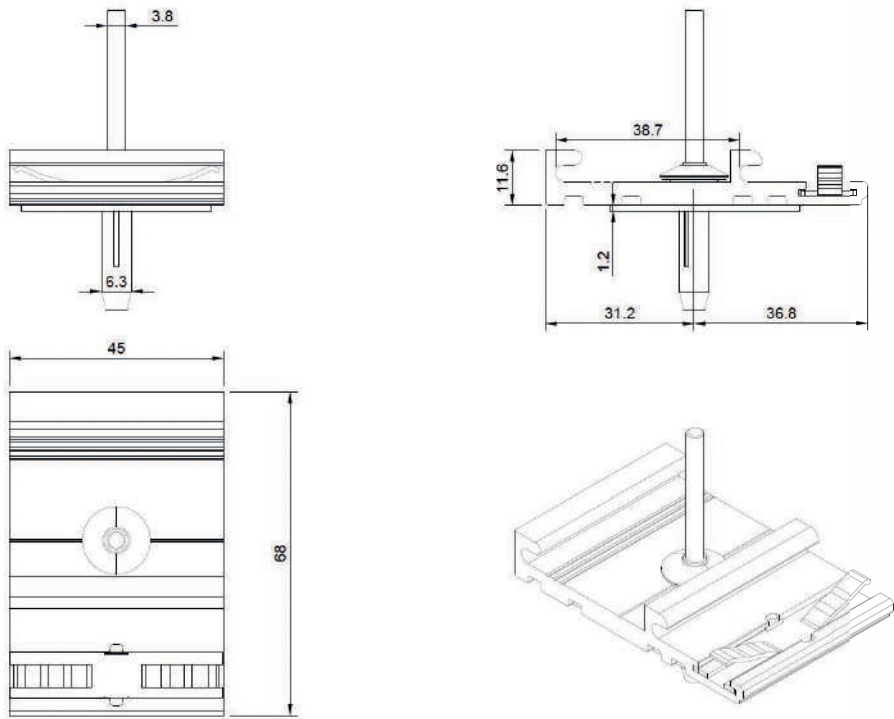


Bracket ALLiN with EDPM for steel deck low

DATASHEET



Article code	1AIN15DV003
Material	ALU6063 + SS304 + EPDM
Color	alu
Weight	50 gr
Application	pitched roof, steel deck trapezoid

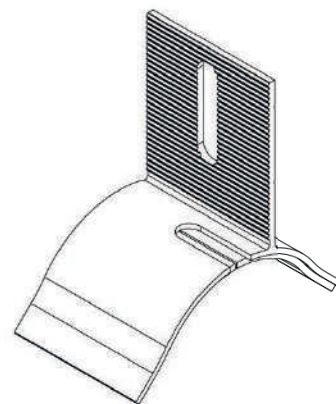
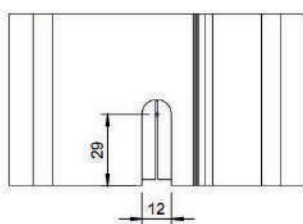
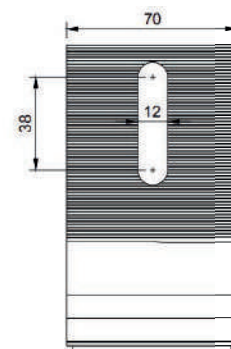
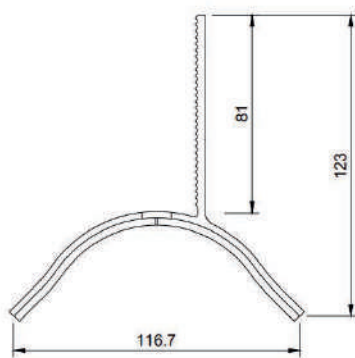


Hook ALLiN corrugated sheet

DATASHEET



Article code	1AIN15DV007
Material	ALU6063 + EPDM
Color	alu
Weight	130 gr
Application	pitched roof, corrugated roof



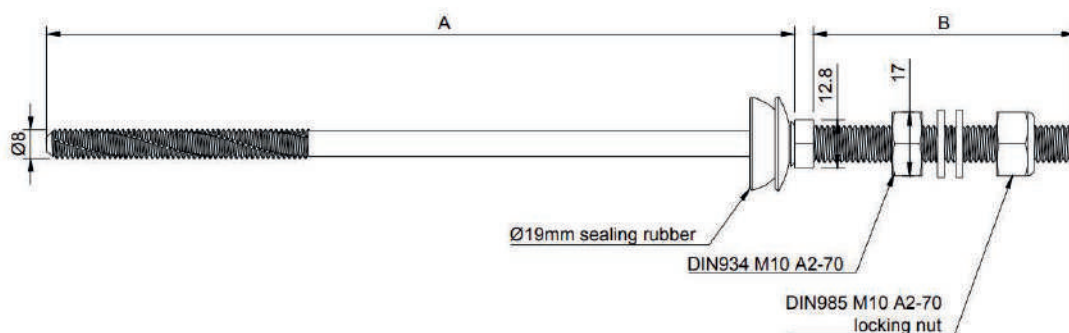
Hanger bolt for metal construction

DATASHEET



Article code	1AHM15SS026 (8x200/70)
Material	SS304
Color	SS
Weight	120 gr
Application	pitched roof, corrugated roof, steel beams

		A (in mm)	B (in mm)
hanger bolt 8,00x200/50	1AHM15SS001	200	50
hanger bolt 8,00x200/70	1AHM15SS026	200	70
hanger bolt 8,00x100/50	1AHM15SS011	100	50
hanger bolt 8,00x150/70	1AHM15SS002	150	70

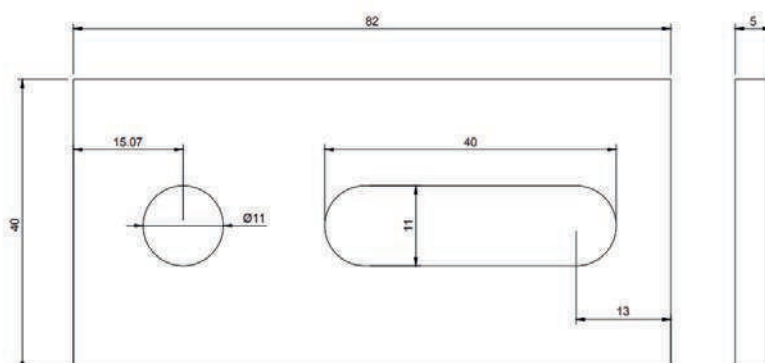


Mounting plate 110x40x5 mm

DATASHEET



Article code	1AHMACMP001
Material	SS304
Color	SS
Weight	140 gr
Application	pitched roof, corrugated roof, hanger bolt



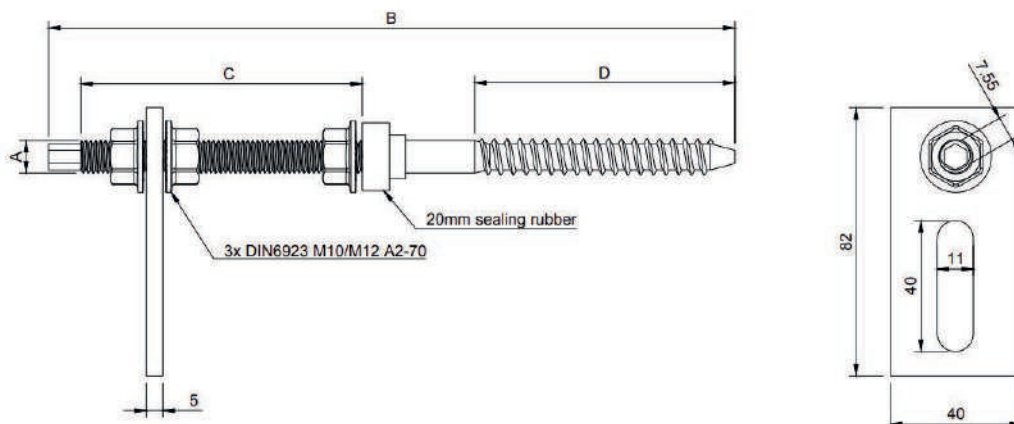
Hanger screw with mounting plate

DATASHEET



Article code	1AHM15SS004 (M10x200)
Material	RVS304
Color	SS
Weight	220 gr
Application	pitched roof, corrugated roof

		A (in mm)	B (in mm)	C (in mm)	D (in mm)	kg
hanger screw M10x200	1AHM15SS004	10	200	85	67	0,220
hanger screw M10x250	1AHM15SS005	10	250	85	67	0,250
hanger screw M10x300	1AHM15SS007	10	300	150	67	0,275
hanger screw M12x300	1AHM15SS009	12	300	150	100	0,285
hanger screw M12x400	1AHM15SS010	12	400	220	100	0,470

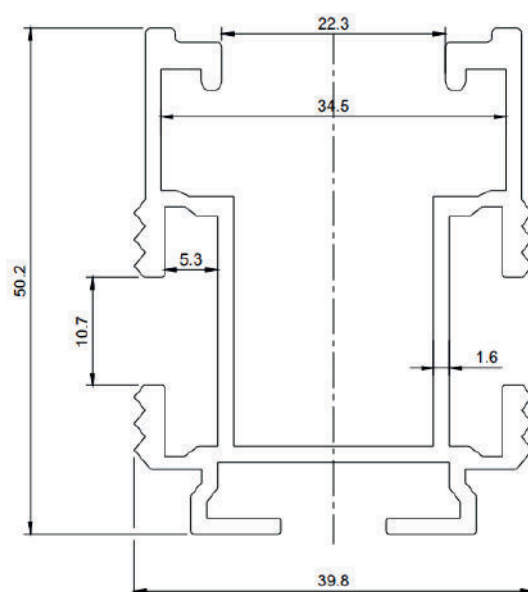


Bottom profile ALLiN

DATASHEET



Article code	1AIN43AL001 (6,20 m alu) 1AIN43ZW008 (6,20 m black)
Material	ALU6063T5
Color	alu / black
Weight	1014 gr / m
Application	pitched roof, tiled roof, corrugated roof

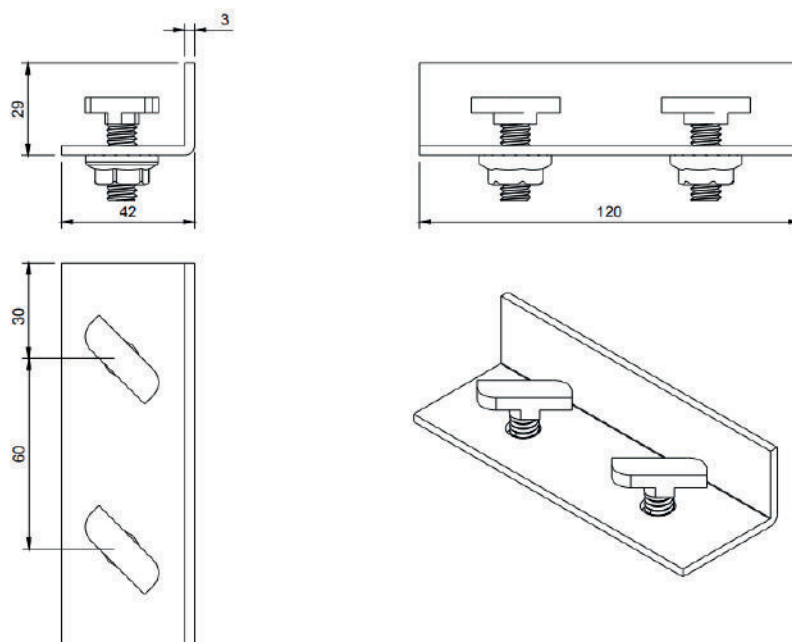


Profile connector bottom profile ALLiN sideways

DATASHEET

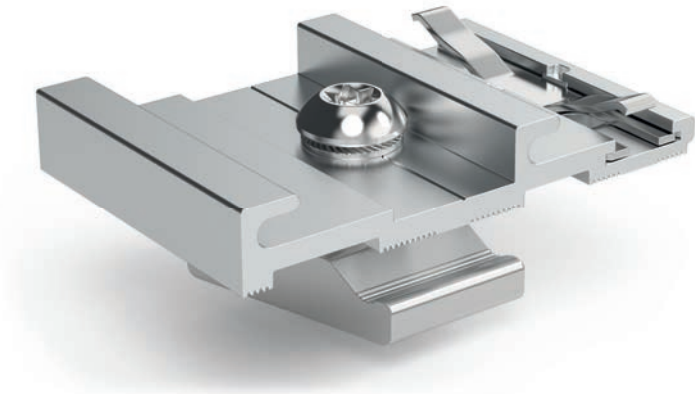


Article code	1AIN43PV003 (2x hammerhead bolt M10x20, knurled nut M10)
Material	ALU6063 + SSA2
Color	alu
Weight	120 gr
Application	pitched roof, tiled roof, corrugated roof

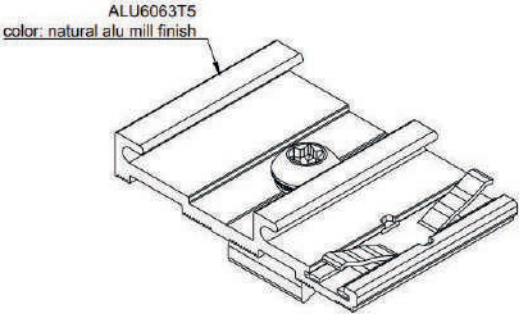
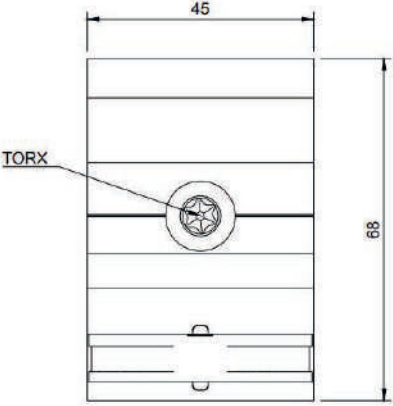
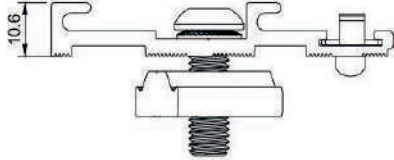
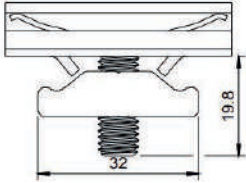


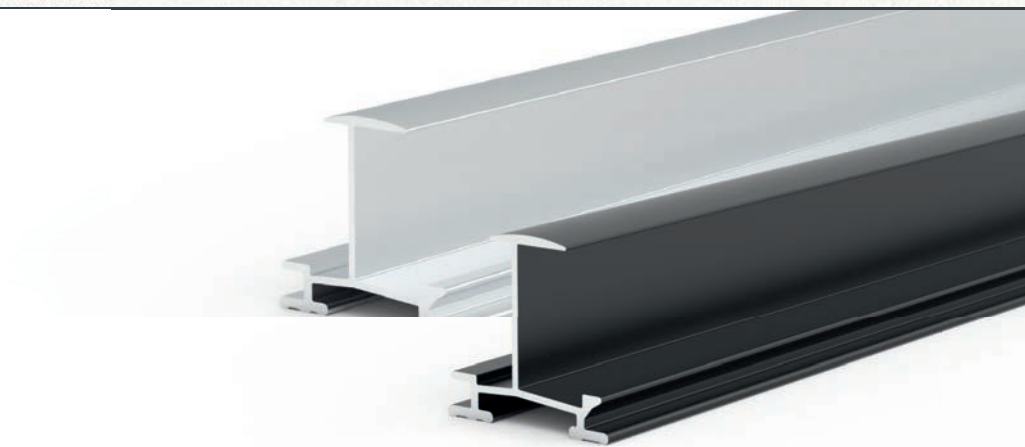
Bracket ALLiN with bolt and nut

DATASHEET

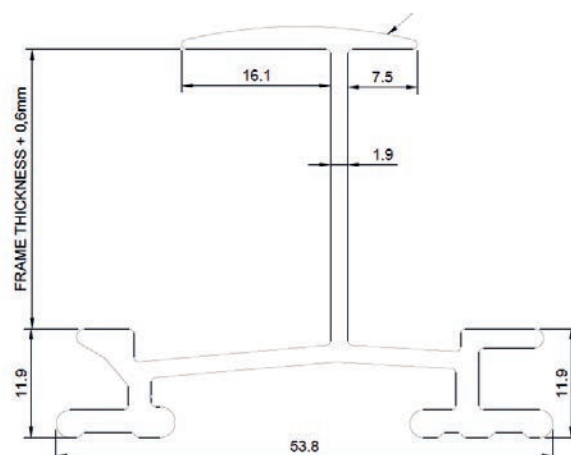


Article code	1AIN15DV004
Material	ALU6063T5
Color	alu
Weight	60 gr
Application	pitched roof, tiled roof, corrugated roof





Article code	1AIN43AL017 (30 mm 6,20 m alu) 1AINZW011 (30 mm 6,20 m black) 1AIN43AL005 (35 mm 6,20 m alu) 1AIN43ZW005 (35 mm 6,20 m black)
Material	ALU6063T5
Color	alu / black
Weight	1014,50 gr / m
Application	pitched roof, tiled roof, steel deck trapezoid, corrugated roof

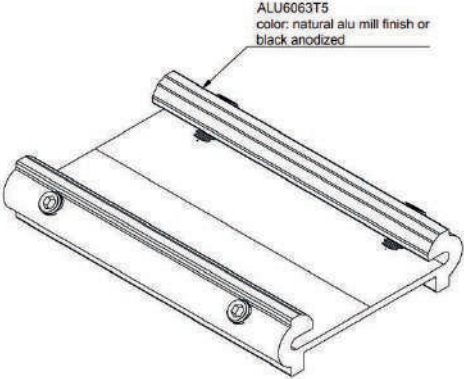
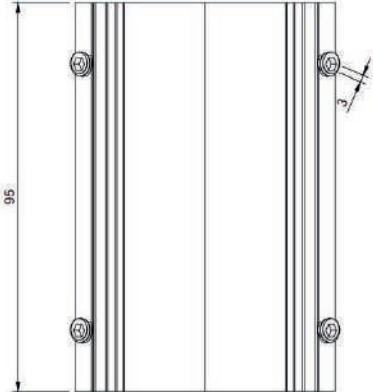
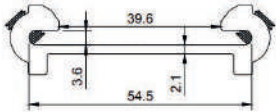


Profile connector ALLiN

DATASHEET



Article code	1AIN43AC003 (2x M6 bout alu) 1AIN43PV004 (2x M6 bout black)
Material	ALU6063T5
Color	alu / black
Weight	80 gr
Application	pitched roof, tiled roof, steel deck trapezoid, corrugated roof

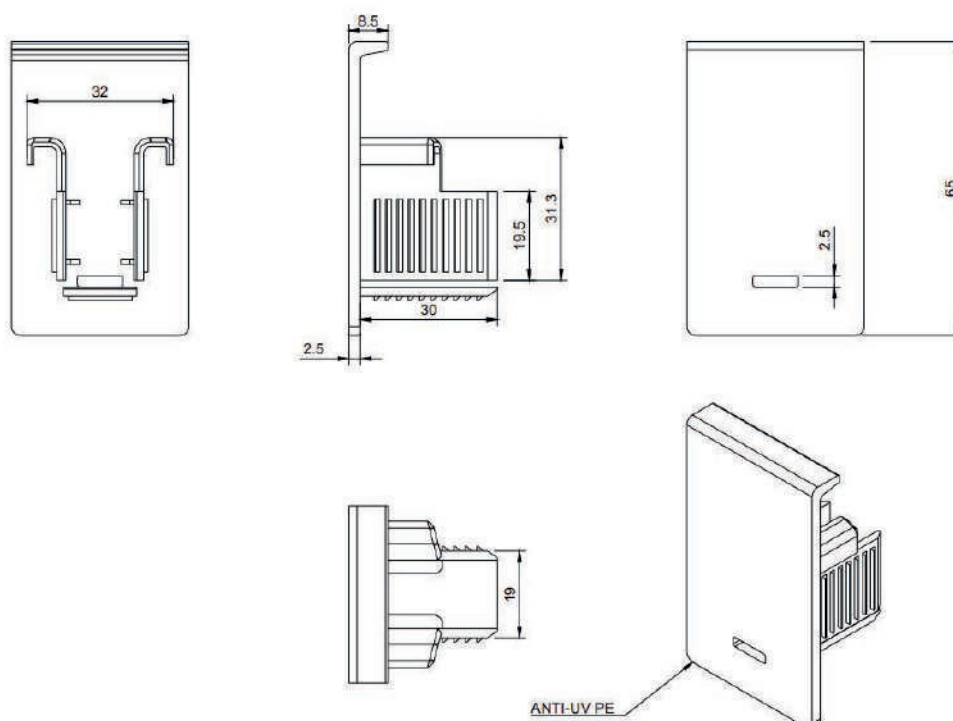


Stopper bottom profile ALLiN

DATASHEET



Article code	1AIN43AC005 (grey) 1AIN43AC004 (Black)
Material	anti-UV PE
Color	alu / black
Weight	10 gr
Application	pitched roof, tiled roof, corrugated roof

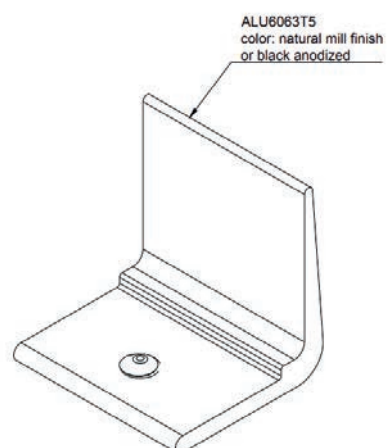
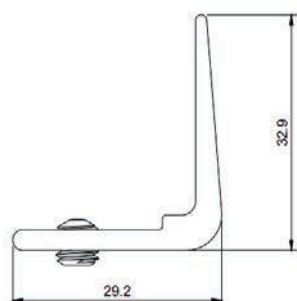
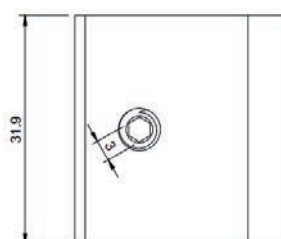


Endpiece profile ALLiN low with M6

DATASHEET

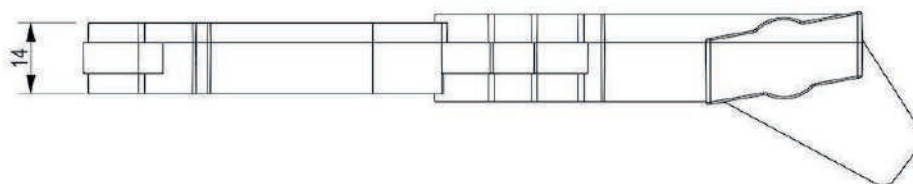
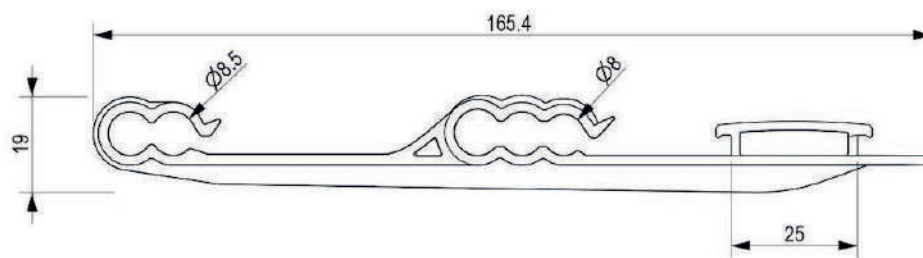


Article code	1AIN43AC001 (grey) 1AIN43AC002 (black)
Material	ALU6063T5
Color	alu / black
Weight	20 gr
Application	pitched roof, tiled roof, steel deck trapezoid, corrugated roof





Article code	1AIN99AC001
Material	P166
Color	black
Weight	20 gr
Application	pitched roof, tiled roof, steel deck trapezoid, corrugated roof



Hammerhead bolt M8x53

DATASHEET

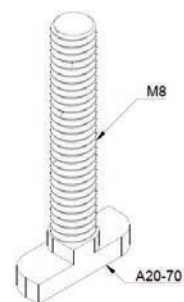
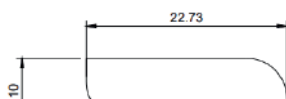


> Hammerhead bolt M8x53

Article code	1AHM10BT006
Material	SSA2
Color	SS
Weight	21 gr
Application	pitched roof, tiled roof

> Knurled nut M8

Article code	1AHM10MR003
Material	SSA2
Color	SS
Weight	9 gr
Application	hammerhead bolt M8



Hammerhead bolt M10x30

Knurled nut M10

DATASHEET

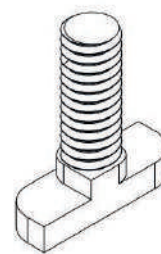
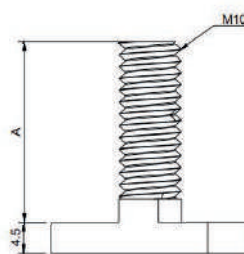
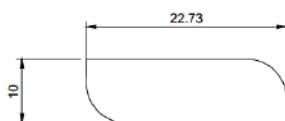


> Hammerhead bolt M10X30

Article code	1AHM10BT003
Material	SSA2
Color	SS
Weight	20 gr
Application	pitched roof, tiled roof

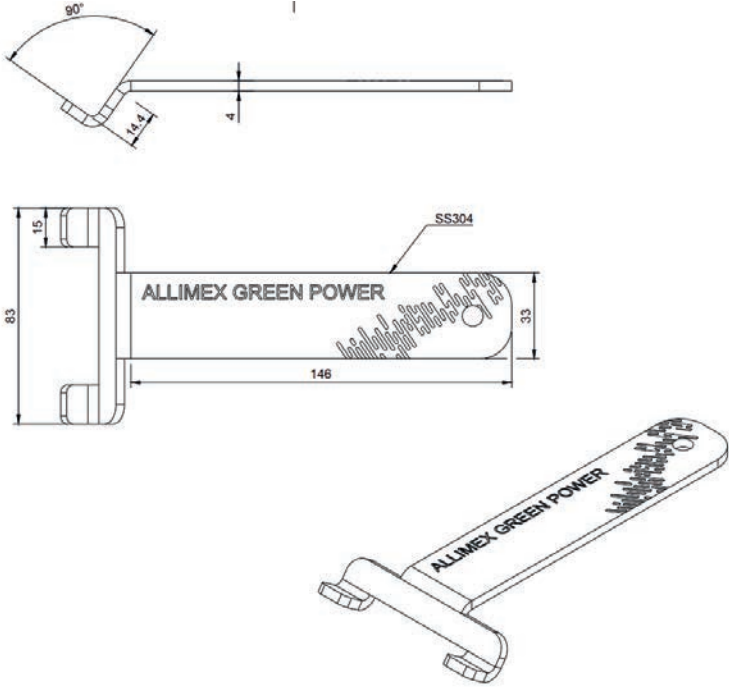
> Knurled nut M10

Article code	1AHM10MR001
Material	SSA2
Color	SS
Weight	11 gr
Application	hammerhead bolt M10



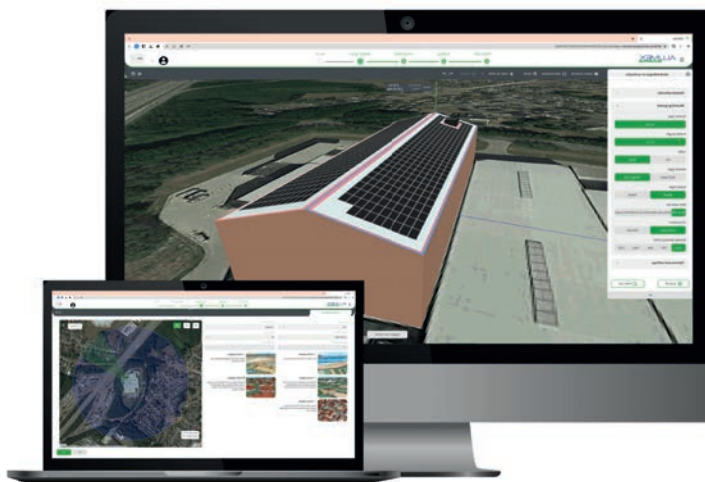


Article code	1AIN99AC002
Material	SS304
Color	SS
Weight	190 gr
Application	pitched roof, steel deck trapezoid



ALLiDRAW calculator

Easily calculate and manage all your projects with our ALLiDRAW calculator for pitched roofs. Choose your location, roof type, solar panels and mounting system and you will immediately receive a complete project overview with corresponding bill of materials.



- You enter all project information, such as a project name and an address.
- In the design field you easily draw your roof and building. You first draw the area of the roof. Then you choose the roof type, roof covering and other parameters. You also draw any obstacles on the roof here.
- Enter all parameters for the environment of the project, such as the wind zone.
- Choose the desired panels and mounting system specifications. You can easily have the panel field filled in automatically, or do it manually.

You immediately receive a complete report of the entire project, including safety margins, permitted forces and a detailed parts list.

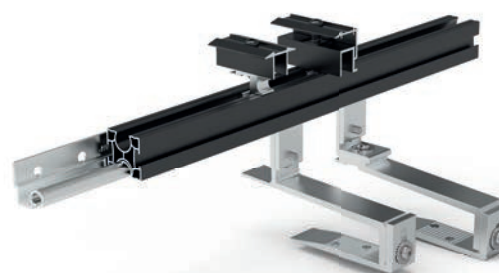


ADVANCED CALCULATIONS

- In ALLiDRAW, you process an unlimited number of projects from 1 calculator.
- You manage multiple roofs and roof types within 1 project.
- You immediately draw by location in Google Maps.
- All calculations are extensively tested to the latest safety standards. You will receive a complete overview of all safety margins and allowable forces.
- Go for automatic engineering of mounting hardware.
- You save on materials as well as labor on site.
- The drawn-in assembly products can be seen in detail.
- ALLiDRAW is BIM-ready and can read in and write out 3D models in the future.



Discover our other mounting systems



ALLiHOME >

The universal mounting system for various roof types and applications. Compatible with most solar panels thanks to the variation of clamps.



ALLiSLIDE >

Our hybrid mounting system with a minimum amount of components. Suitable for sliding and screwing, in landscape and portrait orientation.







Scan the QR code for more information on ALLiN

Allimex Green Power

0262-0224-EN Subject to changes and/or printing errors.

Headquarters

Transportstraat 1B
3980 Tessenderlo, Belgium

> +32 (0)11 46 00 70
info@allimex-greenpower.eu

> allimexgreenpower.com
We care. We dare. We deliver

