



ALLiSLIDE

Mounting materials



THE RIGHT MOUNTING SYSTEM
FOR EVERY ROOF

Allimex Green
Power





ALLiSLIDE

Simple and high-performance mounting system

ALLiSLIDE is our hybrid and compact mounting system, specially designed for quick installation on various roof types.

COMPLETE >

ALLiSLIDE is a compact mounting system suitable for different roof types. ALLiSLIDE is fully assembled, including cable clips and optimizer holders.

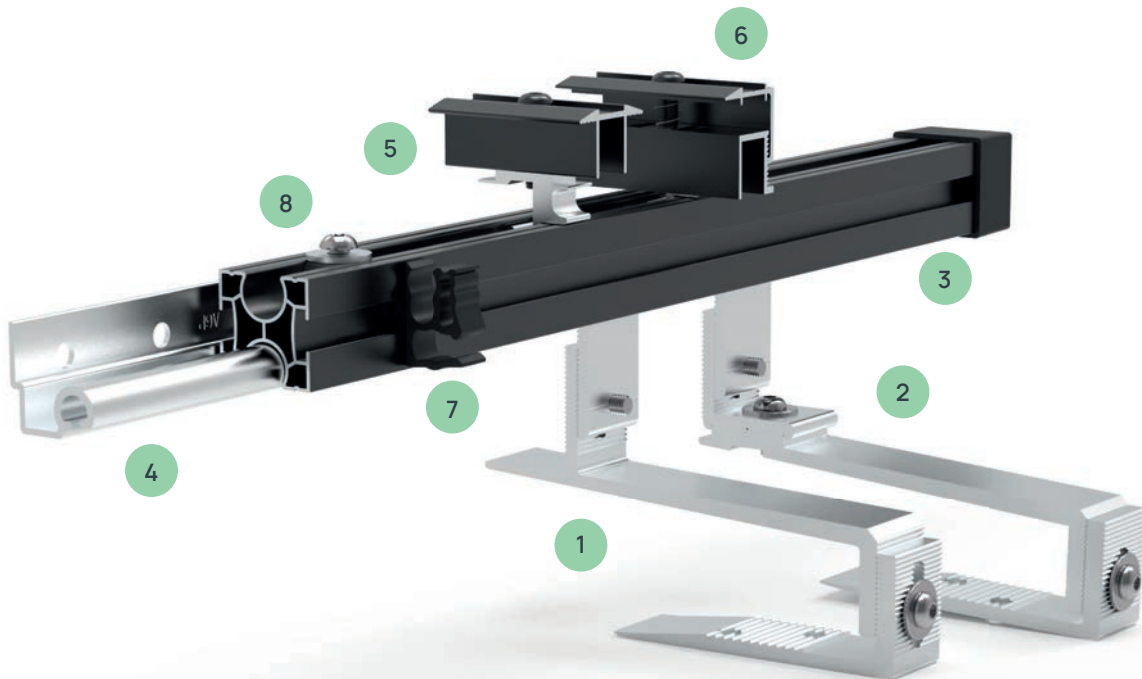
FLEXIBLE >

ALLiSLIDE is hybrid in design and can be mounted in both portrait and landscape. The roof hooks and clamps are adjustable in height resulting in a perfect fit for every roof and panel.

TIME-SAVING >

The double adjustable roof hook can be used for both sliding and screw mounting. All parts can be quickly connected by rotary movements.

Tiled roof

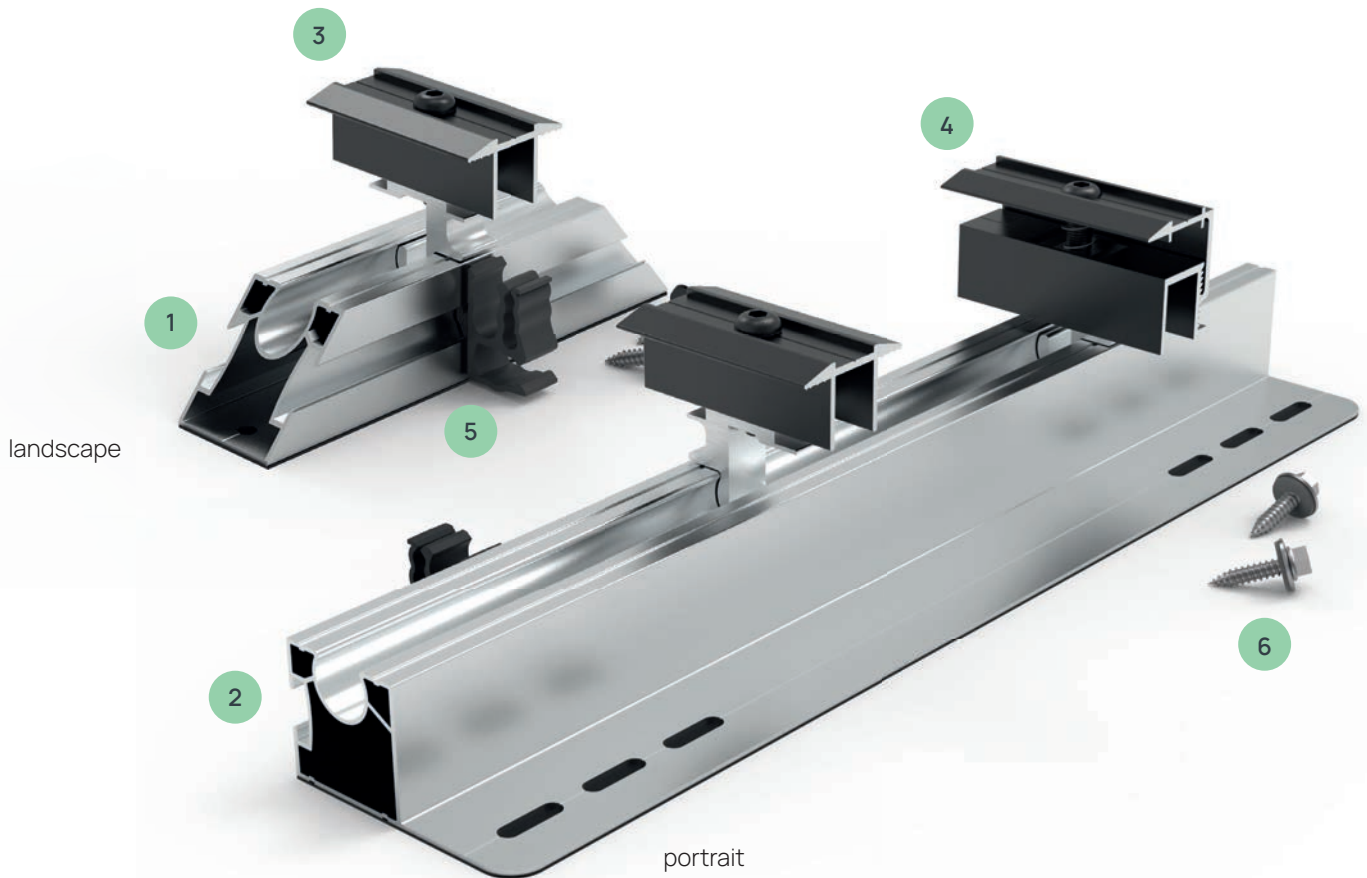
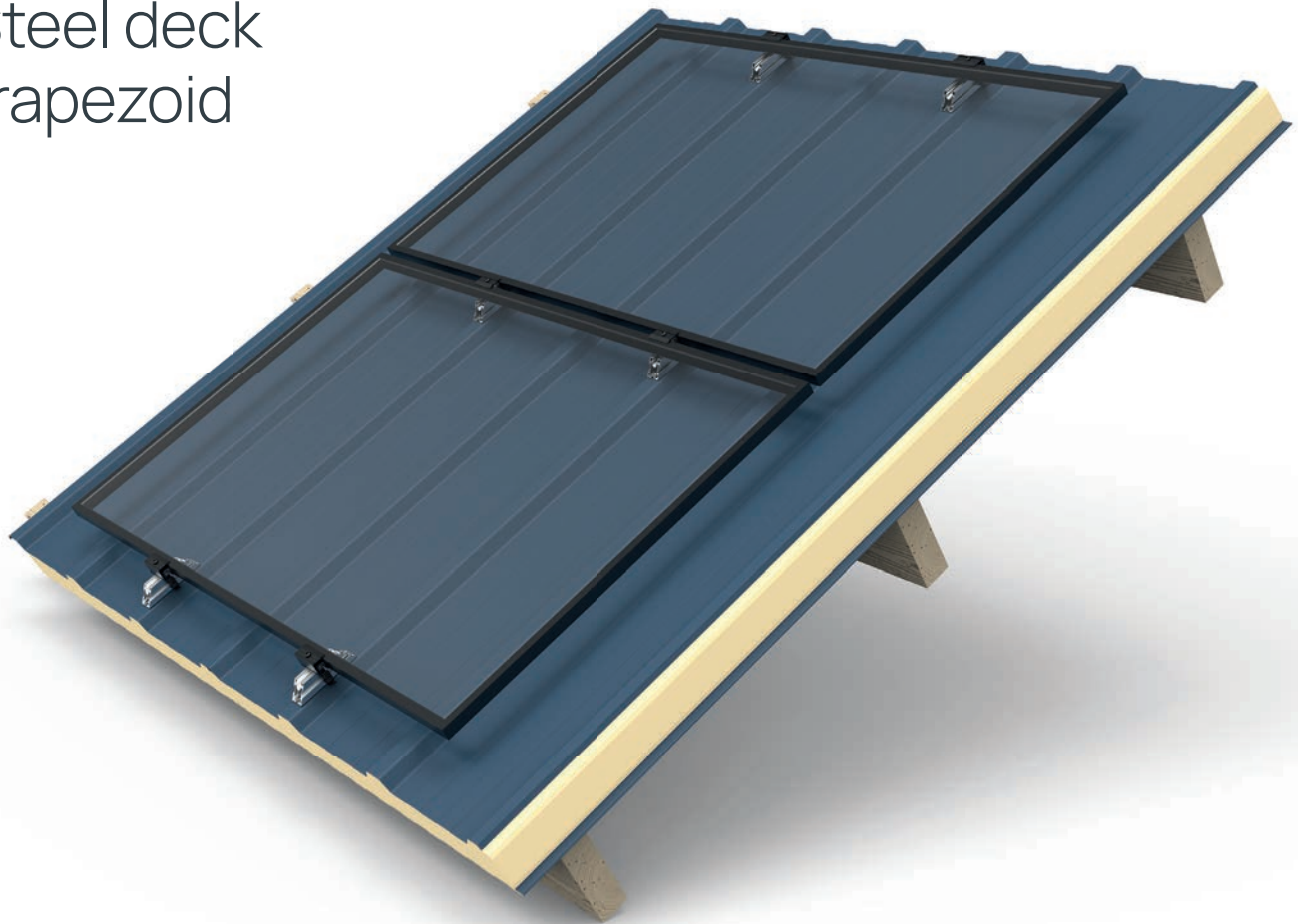


Components




	Article code	Article description	Datasheet
1	 1ASL15DE001	Roof hook single adjustable ALLiSLIDE	p. 11
2	 1ASL15DD002	Roof hook double adjustable ALLiSLIDE	p. 12
3	 1ASL43AL015 1ASL43ZW015 1ASL43AL001 1ASL43ZW001	Profile ALLiSLIDE 4,80 m alu Profile ALLiSLIDE 4,80 m black Profile ALLiSLIDE 6,20 m alu Profile ALLiSLIDE 6,20 m black <i>Other lengths available on request</i>	p. 19
4	 1ASL43PV001	Profile connector ALLiSLIDE	p. 20
	 1AHMACPS002 1AHM0ACPS001	Stopper profile 40x40 grey Stopper profile 40x40 black	p. 21
5	 1ASL32AL001 1ASL32ZW001	Middle clamp ALLiSLIDE alu Middle clamp ALLiSLIDE black	p. 22
6	 1ASL32AL002 1ASL32ZW002	End clamp ALLiSLIDE alu End clamp ALLiSLIDE black	p. 23
7	 1ASL99AC003	Cable clip ALLiSLIDE	p. 24
8	 1ASL99AC002	Optimizer holder ALLiSLIDE	p. 25
	 1HFR10BT001	Hammerhead bolt ALLiSLIDE M8x18 mm with knurled nut	p. 26

Steel deck trapezoid

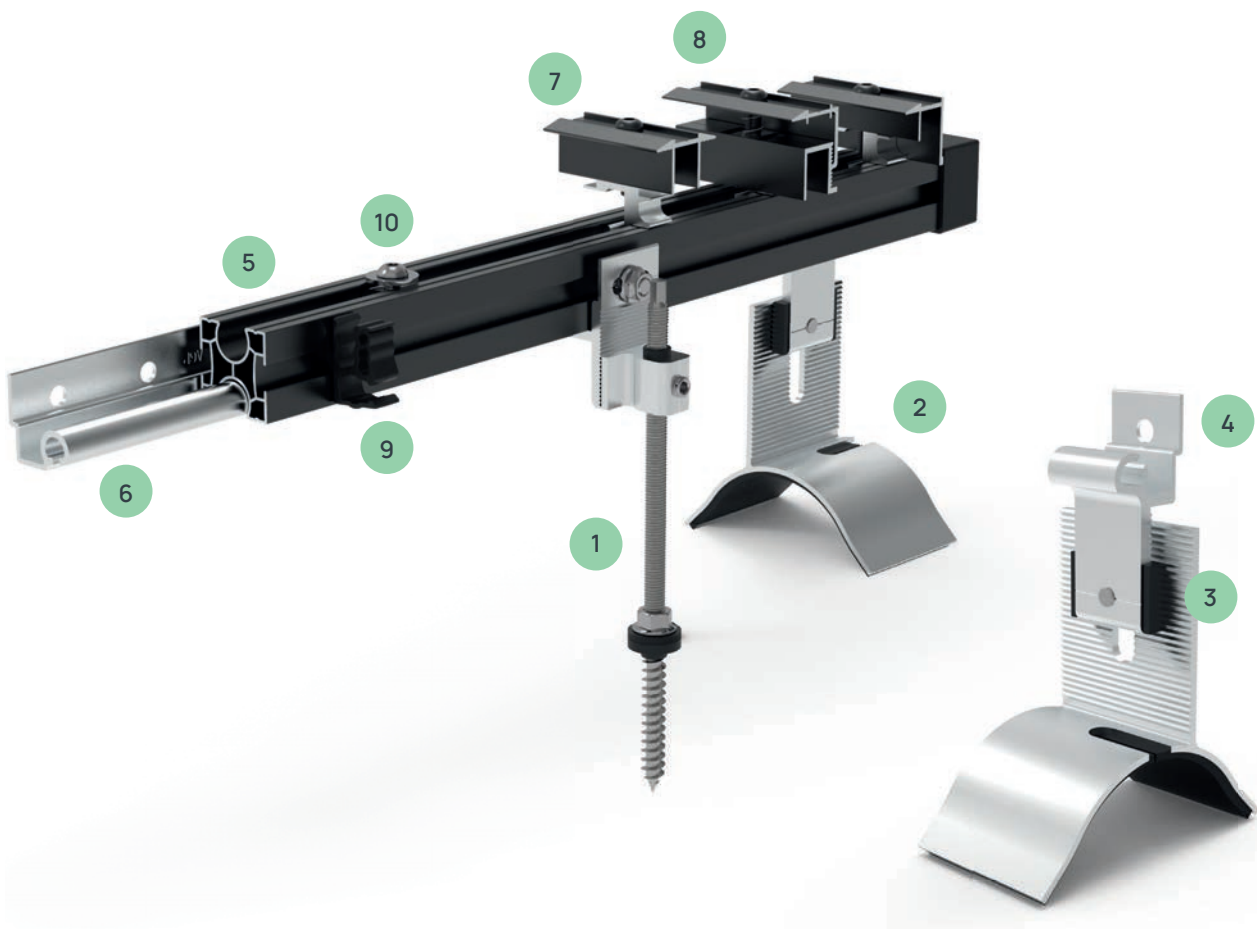
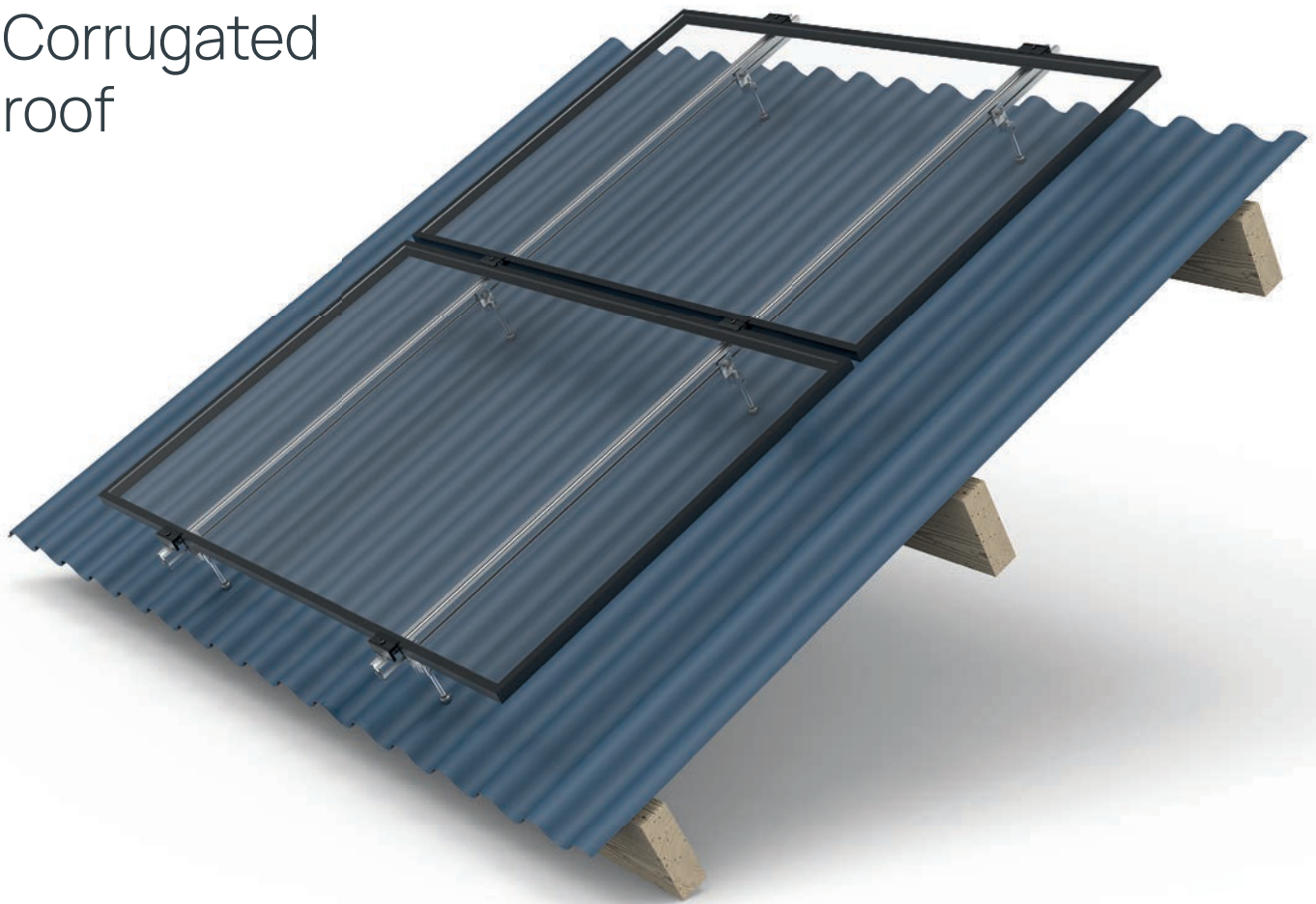


Components



	Article code	Article description	Datasheet
1	 1ASL15SD001	Steel deck plate landscape ALLiSLIDE	p. 13
2	 1ASL15DD002	Steel deck plate portrait ALLiSLIDE	p. 14
3	 1ASL32AL001 1ASL32ZW001	Middle clamp ALLiSLIDE alu Middle clamp ALLiSLIDE black	p. 22
4	 1ASL32AL002 1ASL32ZW002	End clamp ALLiSLIDE alu End clamp ALLiSLIDE black	p. 23
5	 1ASL99AC003	Cable clip ALLiSLIDE	p. 24
	 1ASL99AC002	Optimizer holder ALLiSLIDE	p. 25
	 1HFR10BT001	Hammerhead bolt ALLiSLIDE M8x18mm with knurled nut	p. 26
6	 1AHM46BM003	Bi-metal screw 6,0x25	p. 28

Corrugated roof



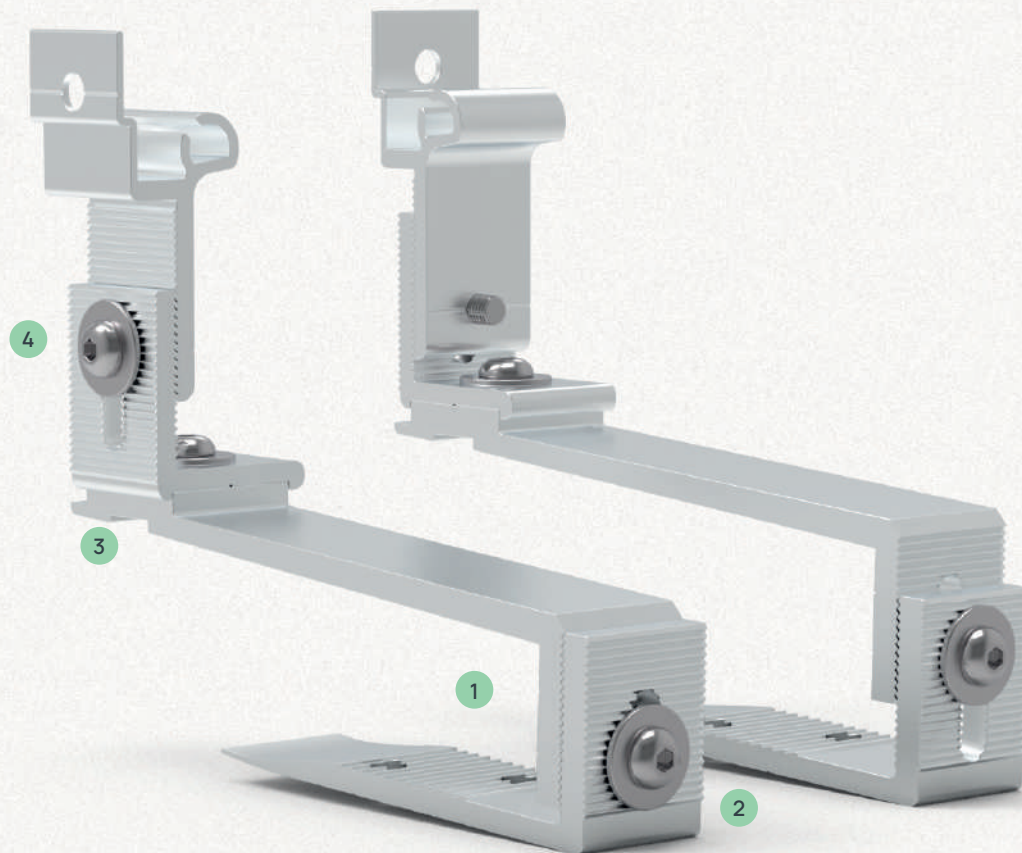
Components



	Article code	Article description	Datasheet
1	 1ASL15SS001	Hanger screw M10x200	p. 15
2	 1AIN15DV007	Hook for corrugated roof with EPDM	p. 16
3	 1ASL99AC005	Adapter ALLiSLIDE	p. 17
4	 1ASL99AC001	Hook accessory ALLiSLIDE	p. 18
	 1AHM10BT015 1AHM10RD001	Allen bolt M10x20 Washer M8	p. 27
5	 1ASL43AL015 1ASL43ZW015 1ASL43AL001 1ASL43ZW001	Profile ALLiSLIDE 4,80 m alu Profile ALLiSLIDE 4,80 m black Profile ALLiSLIDE 6,20 m alu Profile ALLiSLIDE 6,20 m black <i>Other lengths available on request</i>	p. 19
6	 1ASL43PV001	Profile connector ALLiSLIDE	p. 20
	 1AHMACPS002 1AHM0ACPS001	Stopper profile 40x40 grey Stopper profile 40x40 black	p. 21
7	 1ASL32AL001 1ASL32ZW001	Middle clamp ALLiSLIDE alu Middle clamp ALLiSLIDE black	p. 22
8	 1ASL32AL002 1ASL32ZW002	End clamp ALLiSLIDE alu End clamp ALLiSLIDE black	p. 23
9	 1ASL99AC003	Cable clip ALLiSLIDE	p. 24
10	 1ASL99AC002	Optimizer holder ALLiSLIDE	p. 25
	 1HFR10BT001	Hammerhead bolt ALLiSLIDE M8x18mm with knurled nut	p. 26



THE FLEXIBLE ROOF HOOK



1 SLIDE OR SCREW MOUNTING

The double adjustable roof hook comes standard as a sliding mount. Thanks to the extra holes and teeth on the hook, you can also screw the flexible roof hook. All you need to do is turn the hook.

3 POSITIONING

With the double adjustable roof hook, you are able to mount PV modules in both portrait and landscape orientation. The roof hook is easily adjusted with the screws. There is no need for additional rails or fittings for landscape mounting.

2 ADJUSTING THICKNESS ROOF TILE

Different roof thicknesses are no problem for the double adjustable roof hook. The depth of the roof hook can be easily adjusted according to the thickness of the roof tile and tile battens. A slight twist of the Allen wrench is sufficient.

4 PROFILE ALIGNMENT

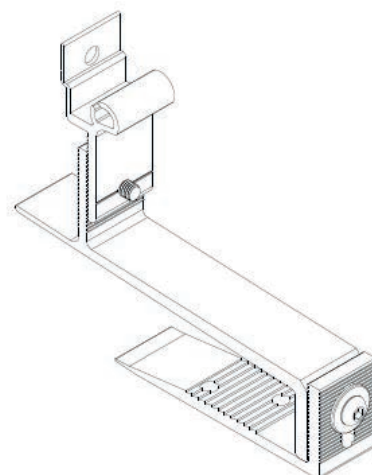
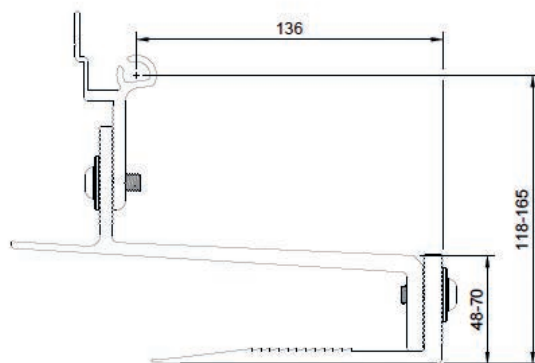
This double adjustable roof hook features an additional slotted hole. Thanks to this slot, the roof hooks are perfectly aligned to fit nicely against the profiles.

Roof hook single adjustable ALLiSLIDE

DATASHEET



Article code	1ASL15DE001
Material	ALU6063T5
Color	alu
Weight	300 gr
Application	pitched roof, tiled roof

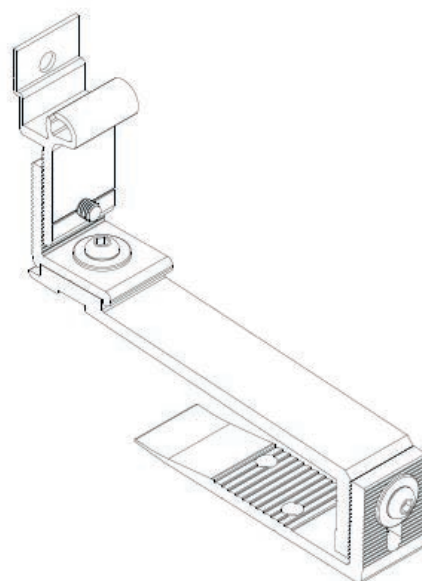
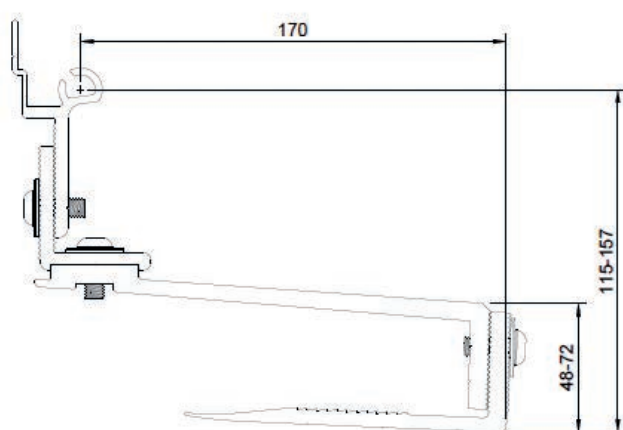


Roof hook double adjustable ALLISLIDE

DATASHEET



Article code	1ASL15DD002
Material	ALU6063T5
Color	alu
Weight	310 gr
Application	pitched roof, tiled roof

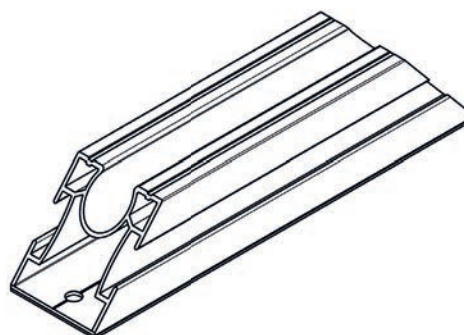
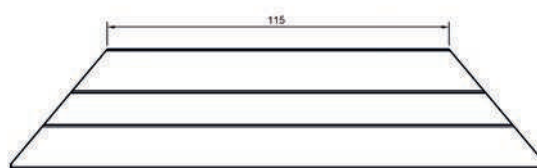
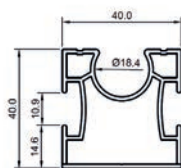


Steel deck plate landscape ALLiSLIDE

DATASHEET



Article code	1ASL15SD001
Material	ALU6063T6 + EPDM
Color	alu
Weight	130 gr
Application	pitched roof, steel deck trapezoid

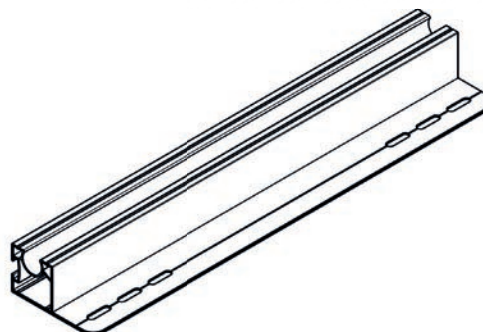
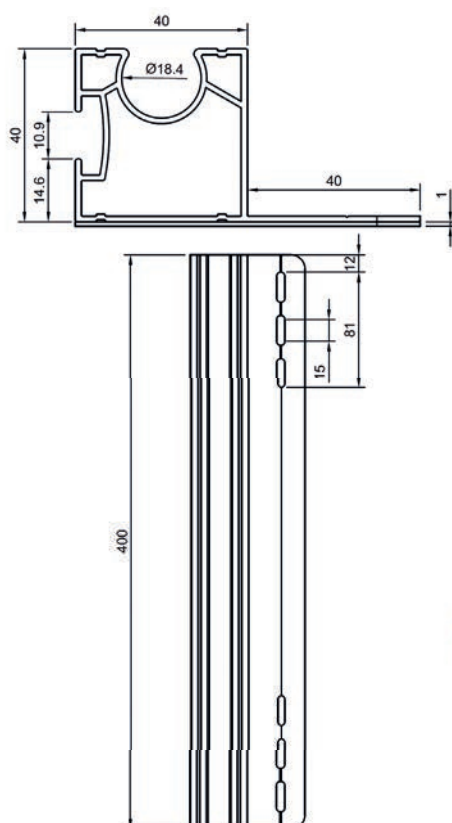


Steel deck plate portrait ALLISLIDE

DATASHEET



Article code	1ASL15DD002
Material	ALU6063T6 + EPDM
Color	alu
Weight	395 gr
Application	pitched roof, steel deck trapezoid

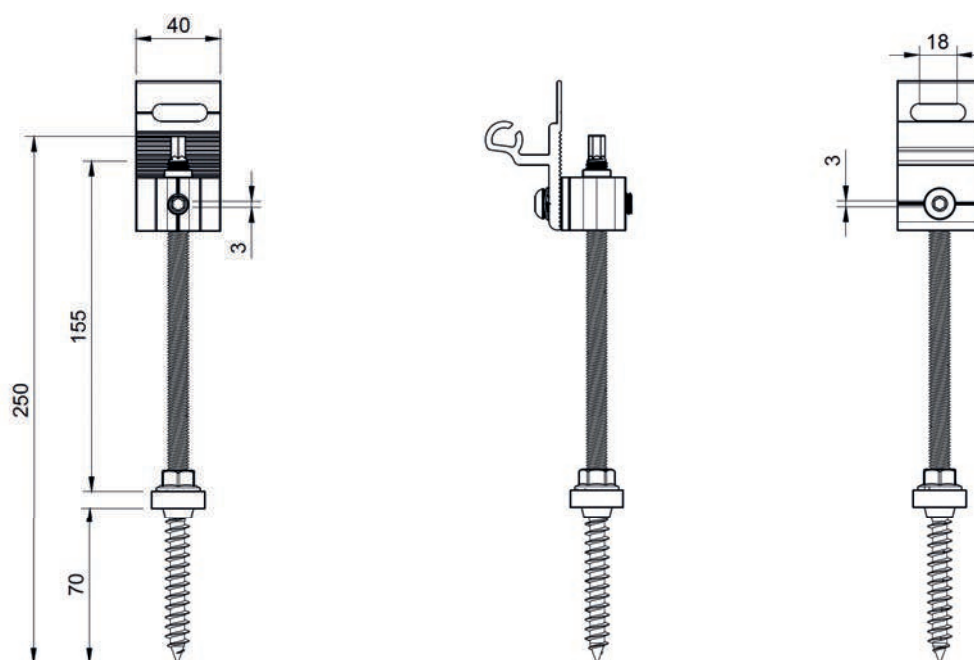


Hanger screw ALLiSLIDE

DATASHEET



Article code	1ASL15SS001
Material	SS304 + ALU6063T6
Color	SS
Weight	231 gr
Application	pitched roof, corrugated roof

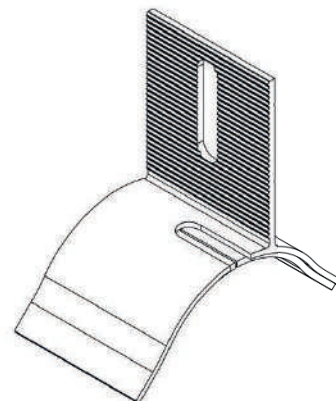
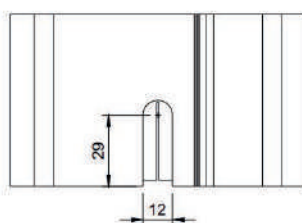
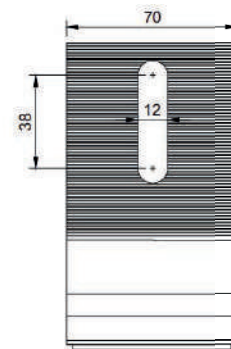
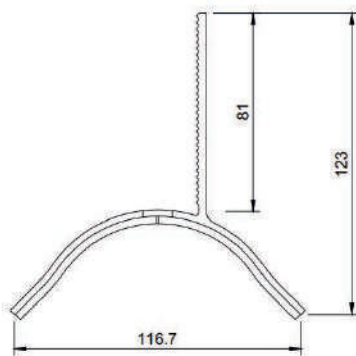


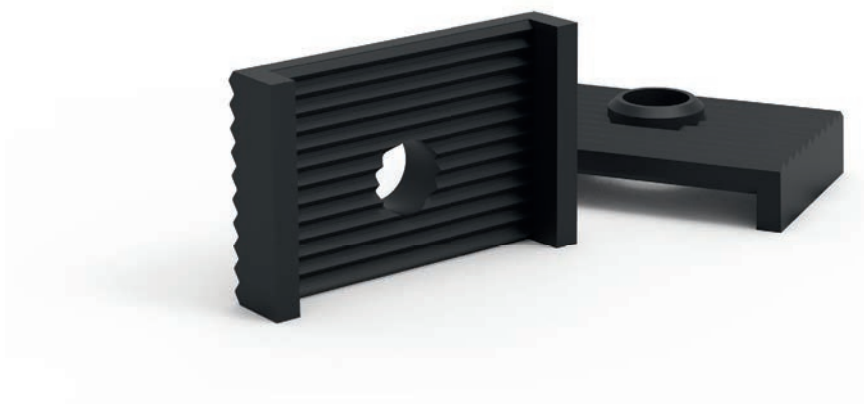
Hook for corrugated roof with EPDM

DATASHEET

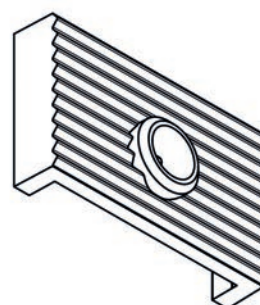
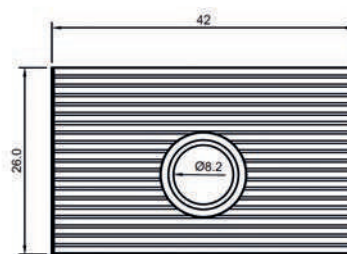
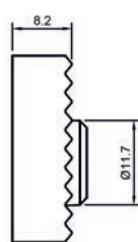


Article code	1AIN15DV007
Material	ALU6063 + EPDM
Color	alu
Weight	130 gr
Application	pitched roof, corrugated roof





Article code	1ASL99AC005
Material	PP
Color	black
Weight	3,6 gr
Application	pitched roof, corrugated roof

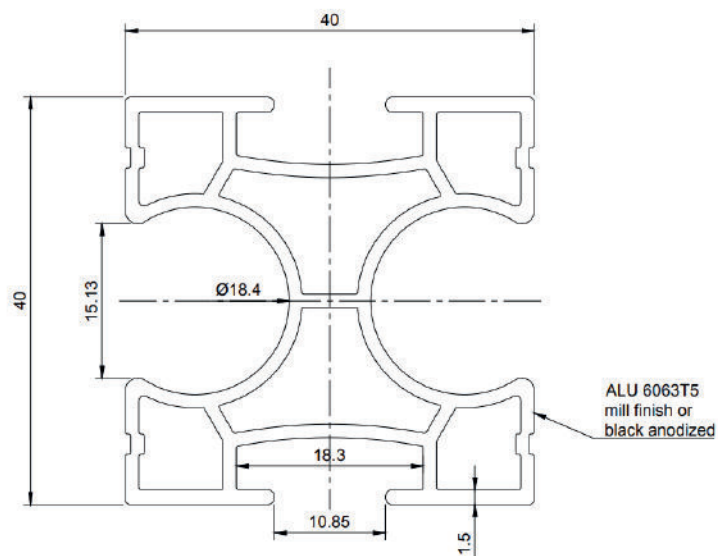




Article code	1ASL99AC001
Material	ALU6063T5 + SS A2
Color	alu
Weight	64 gr
Application	pitched roof, corrugated roof



Article code	1ASL43AL015 (4,80 m alu) 1ASL43ZW015 (4,80 m black) 1ASL43AL001 (6,20 m alu) 1ASL43ZW001 (6,20 m black) <i>Other lengths available on request</i>
Material	ALU6063T5
Color	alu / black
Weight	925,81 gr / m
Application	pitched roof, tiled roof, corrugated roof

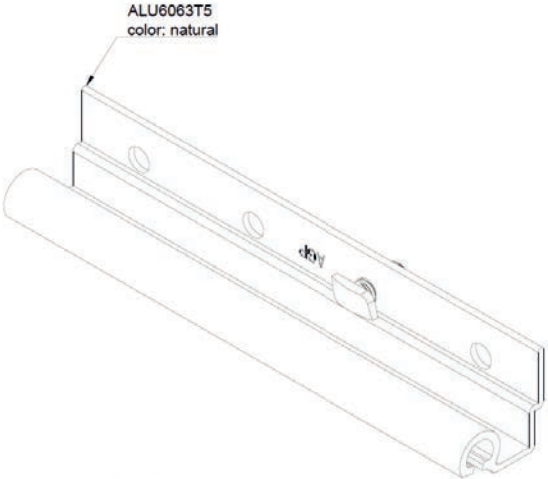
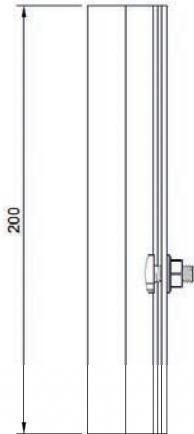
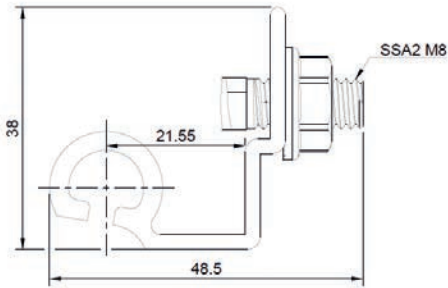


Profile connector ALLiSLIDE

DATASHEET



Article code	1ASL43PV001
Material	ALU6063T5
Color	alu
Weight	150 gr
Application	pitched roof, tiled roof, corrugated roof

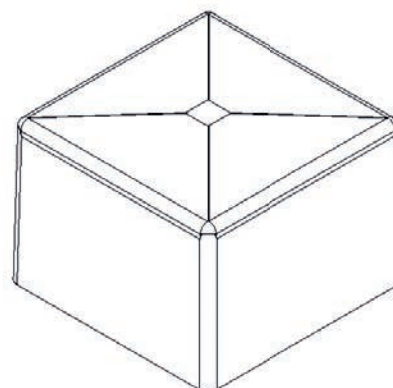
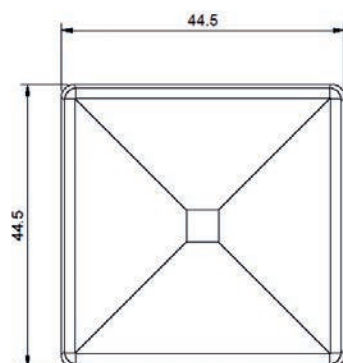
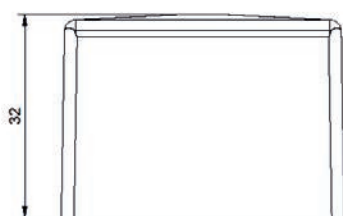


Stopper profile 40x40

DATASHEET

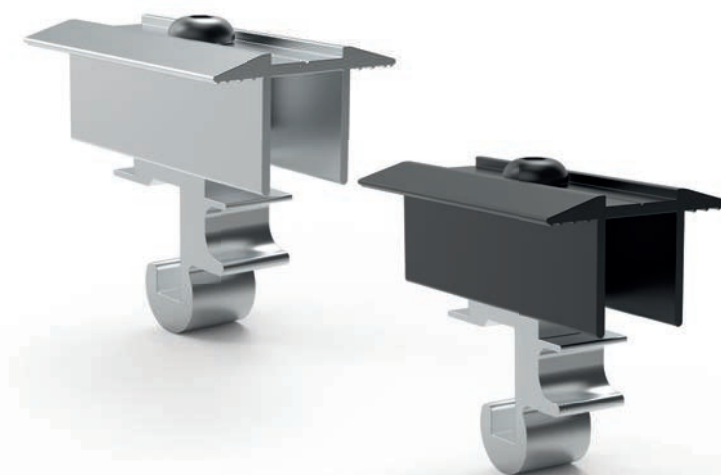


Article code	1AHMACPS002 (grey) 1AHM0ACPS001 (black)
Material	PE
Color	grey / black
Weight	10 gr

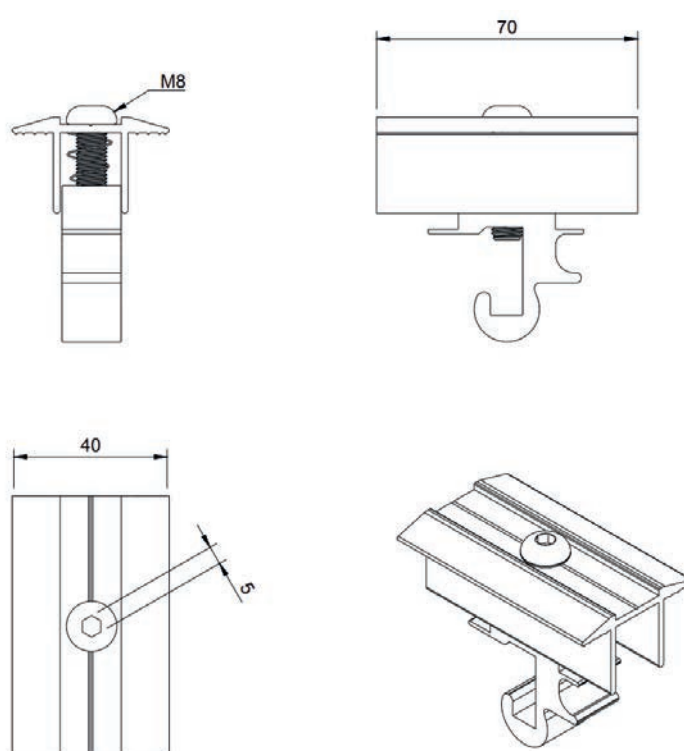


Middle clamp ALLiSLIDE

DATASHEET

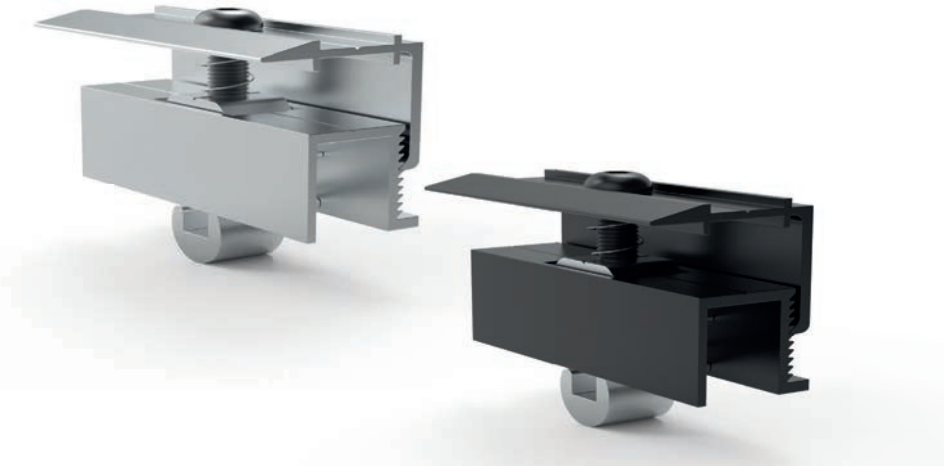


Article code	1ASL32AL001 (alu) 1ASL32ZW001 (black)
Material	ALU6063T5
Color	alu / black
Weight	80 gr
Application	pitched roof, tiled roof, steel deck trapezoid, corrugated roof

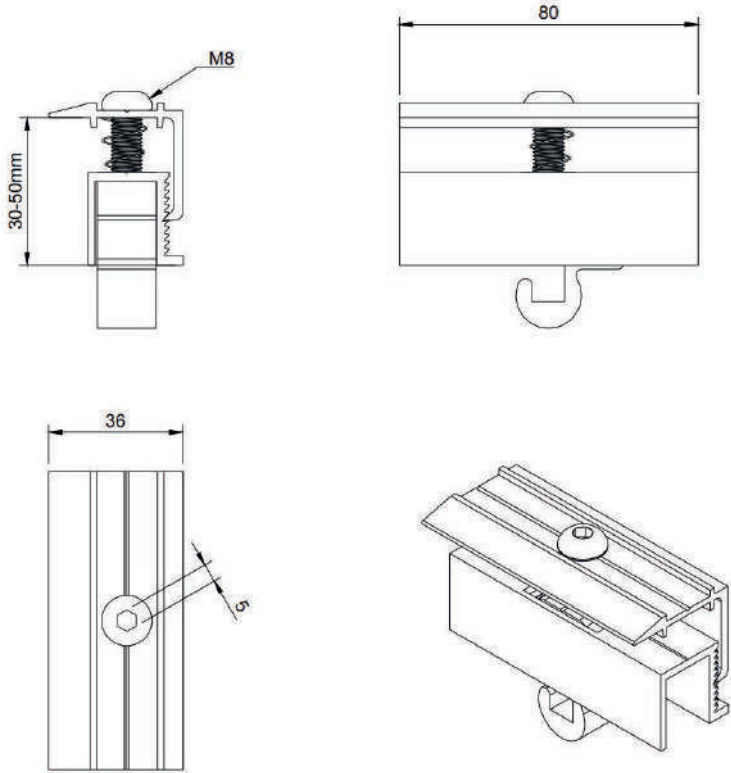


End clamp ALLiSLIDE

DATASHEET



Article code	1ASL32AL002 (alu) 1ASL32ZW002 (black)
Material	ALU6063T5
Color	alu / black
Weight	110 gr
Application	pitched roof, tiled roof, steel deck trapezoid, corrugated roof

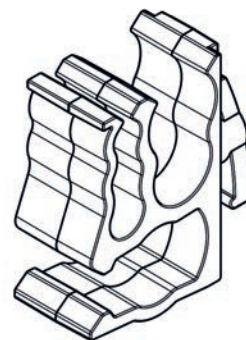
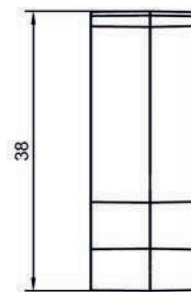
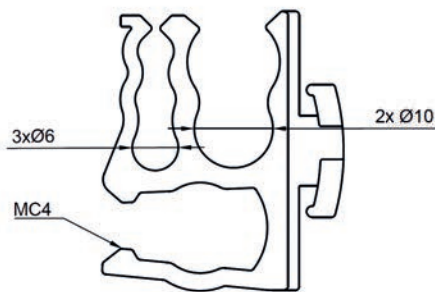


Cable clip ALLiSLIDE

DATASHEET



Article code	1ASL99AC003
Material	PA
Color	black
Weight	6,8 gr
Application	pitched roof, tiled roof, steel deck trapezoid, corrugated roof

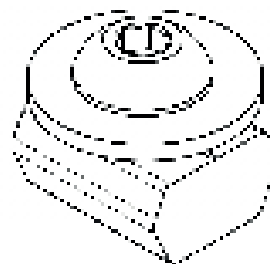
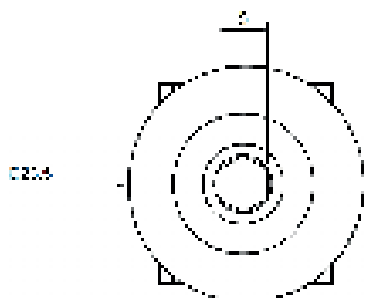


Optimizer holder ALLiSLIDE

DATASHEET



Article code	1ASL99AC002
Material	ALU6063T5 + SS304
Color	alu
Weight	13 gr
Application	pitched roof, tiled roof, steel deck trapezoid, corrugated roof

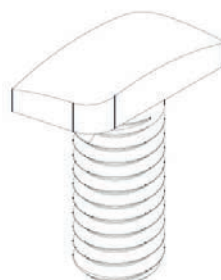
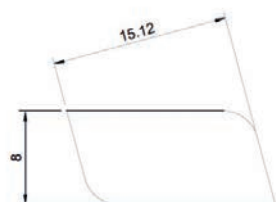
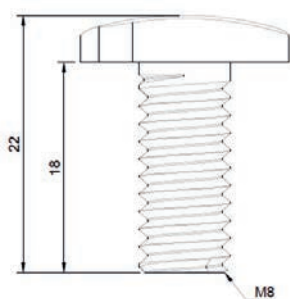


Hammerhead bolt ALLiSLIDE M8x18 mm with knurled nut

DATASHEET



Article code	1HFR10BT001
Material	SS304
Color	SS
Weight	20 gr



Allen bolt M10x20

Washer M8

DATASHEET

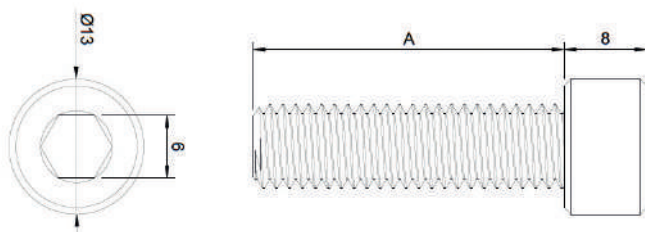


> Allen bolt M10x20

Article code	1AHM10BT015
Material	SS A2
Color	SS
Weight	10 gr
Application	pitched roof, corrugated roof, steel deck trapezoid, corrugated roof

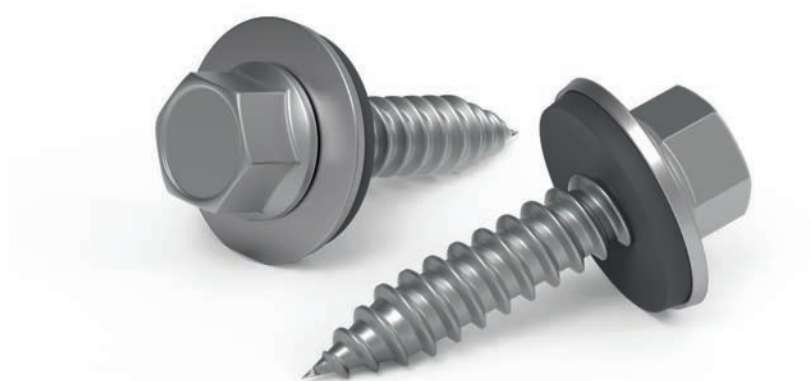
> Washer M8

Article code	1AHM10RD001
Material	SS A2
Color	SS
Weight	4 gr
Application	Allen bolt M10x20

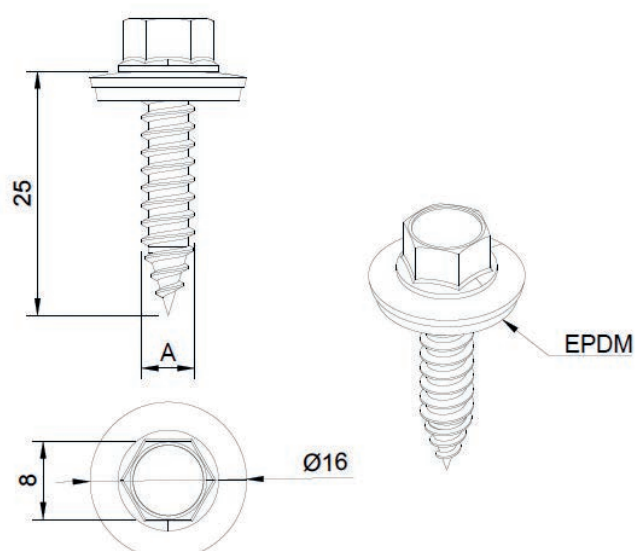


Bi-metal screw for steel deck 6,0x25

DATASHEET

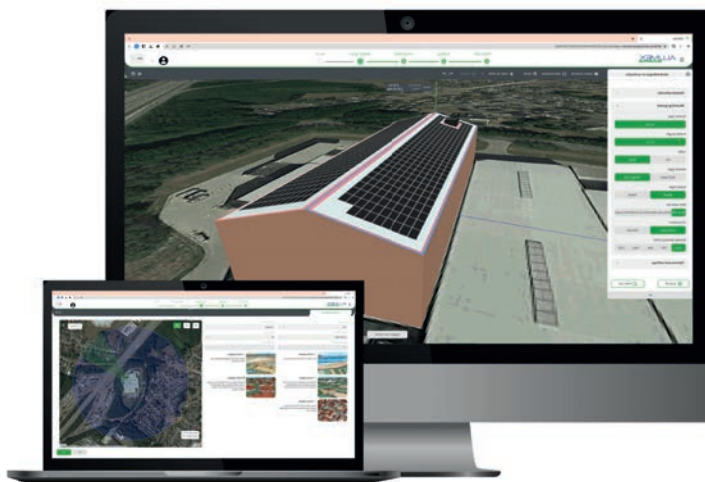


Article code	1AHM46BM003
Material	SSA2
Color	SS
Weight	10 gr
Application	pitched roof, steel deck trapezoid



ALLiDRAW calculator

Easily calculate and manage all your projects with our ALLiDRAW calculator for pitched roofs. Choose your location, roof type, solar panels and mounting system and you will immediately receive a complete project overview with corresponding bill of materials.



- You enter all project information, such as a project name and an address.
- In the design field you easily draw your roof and building. You first draw the area of the roof. Then you choose the roof type, roof covering and other parameters. You also draw any obstacles on the roof here.
- Enter all parameters for the environment of the project, such as the wind zone.
- Choose the desired panels and mounting system specifications. You can easily have the panel field filled in automatically, or do it manually.

You immediately receive a complete report of the entire project, including safety margins as well as a detailed parts list.



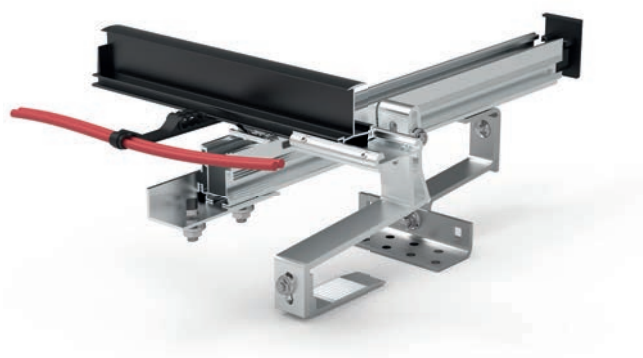
ADVANCED CALCULATIONS

- In ALLiDRAW, you process an unlimited number of projects from 1 calculator.
- You manage multiple roofs and roof types within 1 project.
- You immediately draw by location in Google Maps.
- All calculations are extensively tested to the latest safety standards. You will receive a complete overview of all safety margins and allowable forces.
- You save on materials as well as labor.
- The drawn-in assembly products can be seen in detail.
- ALLiDRAW is BIM-ready and can read in and write out 3D models in the future.





Discover our other mounting systems



ALLiN >

The well-known inlay mounting system. You install solar panels quickly and easily by sliding them into the profiles. Without clamps!



ALLiHOME >

The universal mounting system for various roof types and applications. Compatible with most solar panels thanks to the variation of clamps.





Scan the QR code for more information on **ALLiSLIDE**

Allimex Green Power

0263-0224-EN Subject to changes and/or printing errors.

Headquarters

Transportstraat 1B
3980 Tessenderlo, Belgium

> +32 (0)11 46 00 70
info@allimex-greenpower.eu

> allimexgreenpower.com
We care. We dare. We deliver

