

SolarSpeed

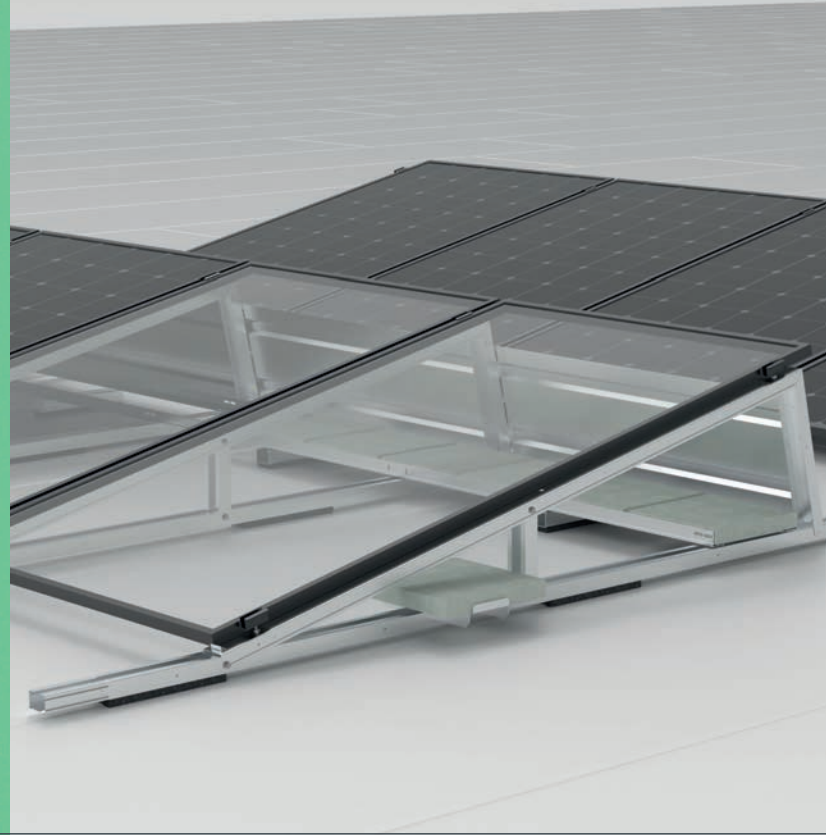
Mounting materials



THE RIGHT MOUNTING
SYSTEM FOR EVERY ROOF.

Allimex Green
Power





SolarSpeed

Mounting system for flat roofs

SolarSpeed mounting frames for flat roofs are designed with a focus on high usability and ease of installation. SolarSpeed is the ideal mounting system for large and medium-sized roof surfaces.

QUICK & SIMPLE >

You slide the basic units together quickly and easily. Thanks to the patented click system, the triangles are also fixed immediately. So you save even more time on the roof.

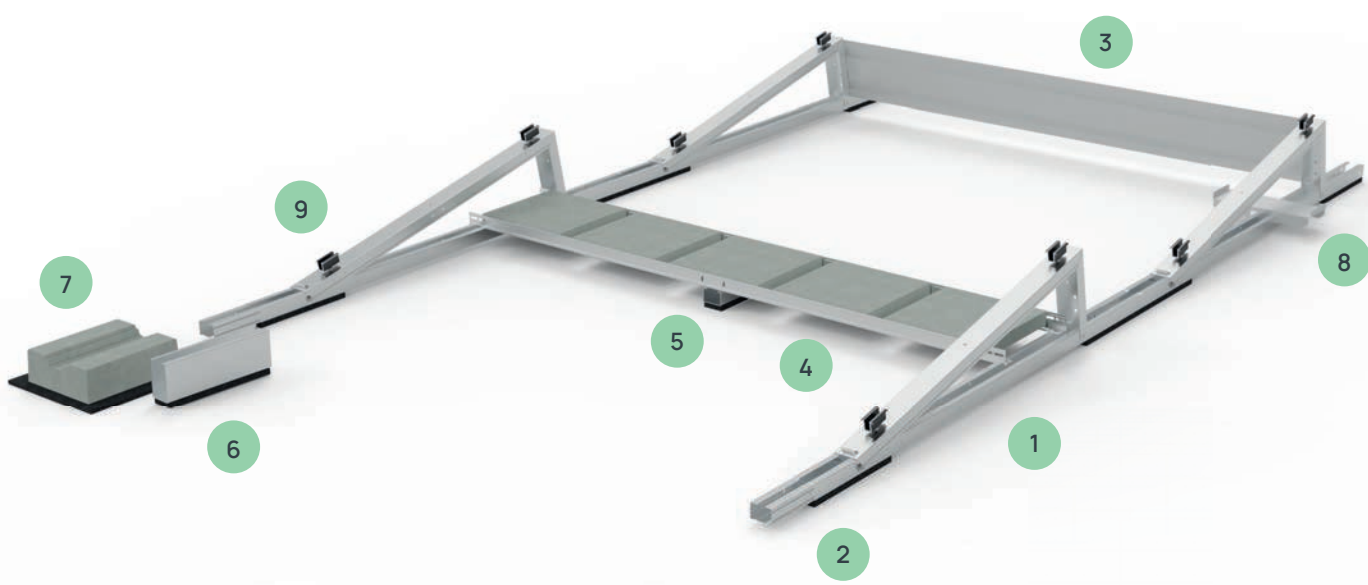
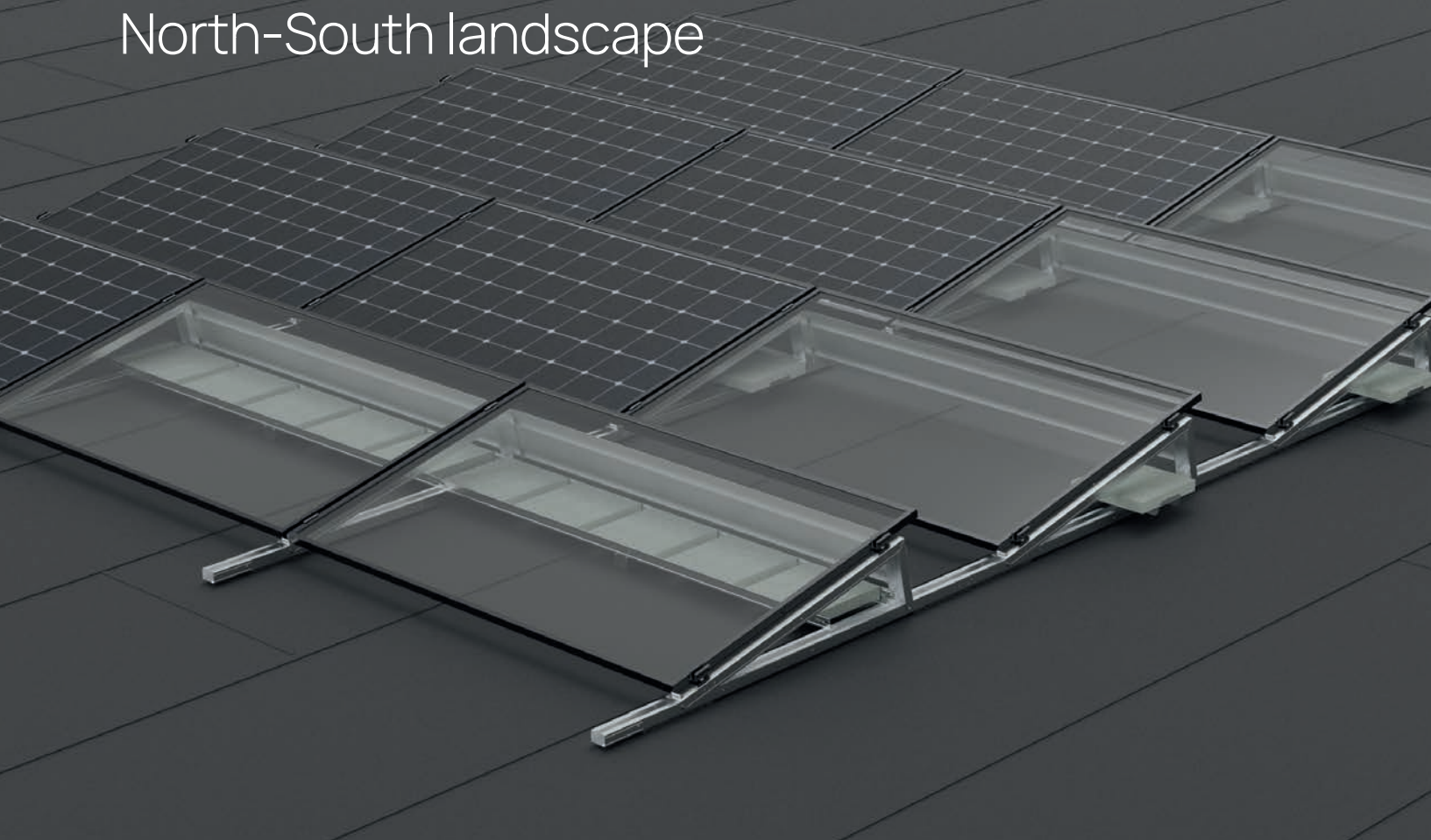
SUSTAINABLE >

SolarSpeed is made of zinc-magnesium steel with self-healing properties. These properties make the system highly corrosion resistant and durable over the long term.

SECURE >

The mounting frames are designed according to the latest standards and guidelines. The mounting system is extensively tested in wind tunnels and the results are incorporated into the calculator.

North-South landscape







Components

	Article code	Article description	Datasheet
1	1SSP19NZ020	SolarSpeed 3.0 North-South landscape 10° pitch 1500 mm + rubber + tubtara	p. 20
	1SSP19NZ021	SolarSpeed 3.0 North-South landscape 10° pitch 1500 mm + rubber + alu + tubtara	
	1SSP19NZ023	SolarSpeed 3.0 North-South landscape 12,5° pitch 1600 mm + rubber + tubtara	
	1SSP19NZ024	SolarSpeed 3.0 North-South landscape 12,5° pitch 1600 mm + rubber + alu + tubtara	
2	1SSP99AC038	SolarSpeed end rubber	p. 24
	1SSP99AC037	SolarSpeed end rubber with alu	
	1SSP99AC034	SolarSpeed pressure nail	p. 25
3	1SSP99AC086	Solarspeed 3.0 backplate landscape 10°-12,5°-15° 1805 mm*	p. 26
4	1SSP99AC077	Solarspeed L-profile 1731/1810 - 1805 mm*	p. 27
5	1SSP99AC030	SolarSpeed connector L-ballast 40 mm with rubber	p. 28
	1SSP99AC031	SolarSpeed connector L-ballast 40 mm with rubber + alu	
6	1SSP99AC028	SolarSpeed connector L-ballast 100 mm with rubber	p. 29
	1SSP99AC029	SolarSpeed connector L-ballast 100 mm with rubber + alu	
7	1SSP99AC040	SolarSpeed concrete base + plugs	p. 30
	1SSP99AC035	SolarSpeed rubber 325x325x10 mm	p. 31
	1SSP99AC036	SolarSpeed rubber 325x325x10 mm with alu	
8	1SSP99AC001	SolarSpeed porte-ballast	p. 32
	1SSP99AC076	SolarSpeed 3.0 side panel North-South 10° landscape	p. 33
	1SSP99AC063	SolarSpeed 3.0 side panel North-South 12,5° landscape	
	1SSP99AC039	SolarSpeed geotex	p. 36

* Other sizes see p. 26 & 27

Components

	Article code	Article description	Datasheet
9	 1AHM32SR085	Middle clamp basic length 60 mm alu	p. 37
	1AHM32SR086	Middle clamp basic length 60 mm black	
	 1AHM32SR069	End clamp 30 mm length 60 mm alu	p. 38
	1AHM32SR070	End clamp 30 mm length 60 mm black	
	 1AHM10BT015	Allen bolt M8x20 (<i>panel size - 10 mm</i>)	p. 39
	 1AHM46PL001	Plate screw 6,5x19 mm	p. 40



TRIANGLES ALIGNMENT

To install the solar panels, you need to align the triangles of the mounting system. This is done with the handy calibration bar.

The calibration bar is easy to adjust to the length or width of the panel. The spacer ensures that the distance between the mounting frames is always perfectly even. So you can be sure of correct and smooth mounting. See datasheet on page 41.



Roofing protection



PROTECTIVE RUBBERS

Basic units come standard with protective rubbers with a thickness of 15 mm. It helps prevent damage to the roof protection and allows better drainage.

Rubber without aluminium

- Suitable for bitumen and EPDM roofs.
- This type of rubber has extra grip on the roof surface.
- It requires less ballast to hold the system in place.

Rubber with aluminium

- For roofs made of PVC or TPO roofing.
- The aluminum layer provides a barrier between the rubber and the roofing material, preventing deterioration of the material.

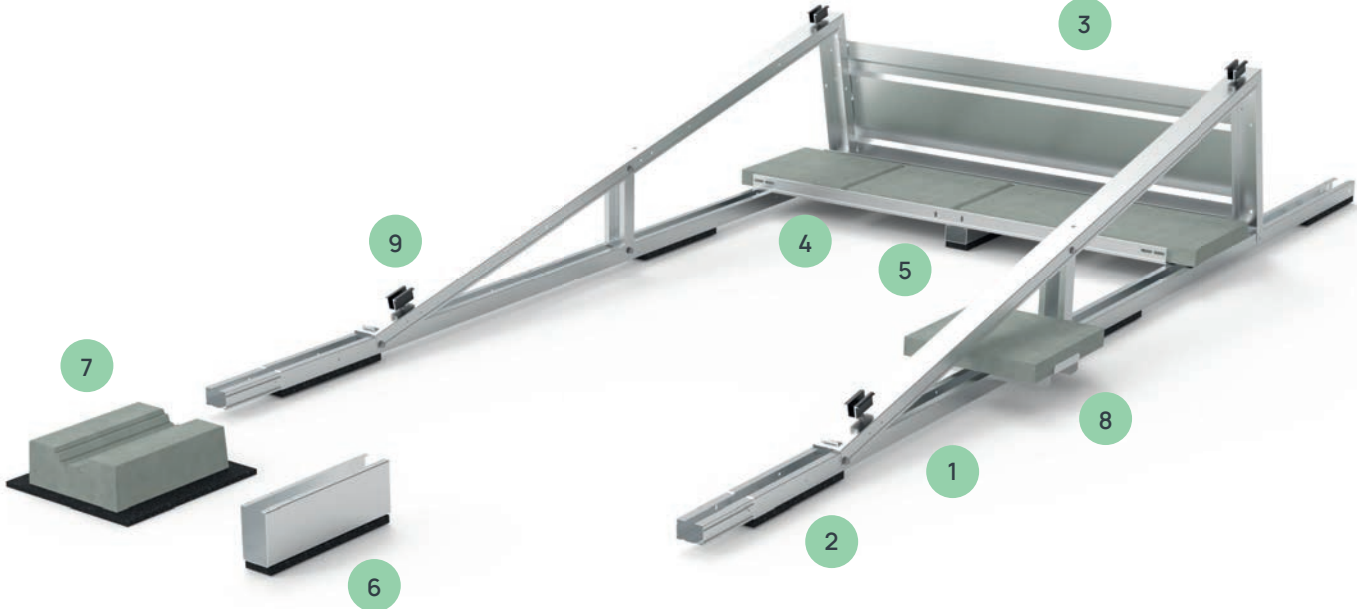


CONCRETE BASES

Concrete bases provide support and ballast in a flat roof installation. Concrete bases are always provided with a protective rubber at the bottom.

- Concrete bases are perfect for green roofs due to the increased space under the profiles.
- This increased space also results in better drainage.
- With concrete bases on gravel roofs, the gravel only needs to be removed in a certain number of places.
- Concrete bases are easy to install using impact plugs.
- Since the mounting frames are anchored to the concrete bases, they also count as part of the required ballast.
- The elevated connection piece is adapted to the height of the concrete bases and prevents sagging.

North-south portrait



Components







	Article code	Article description	Datasheet
1	1SSP19NZ061	SolarSpeed 3.0 South portrait 10° 1680 mm (pan.1640/1899) pitch 2500 mm + rubber + tubtara (incl. middle piece + 6x self-tapping screw 6,5x19)	p. 21
	1SSP19NZ065	SolarSpeed 3.0 South portrait 10° 1680 mm (pan.1640/1899) pitch 2500 mm + rubber + alu + tubtara (incl. middle piece + 6x self-tapping screw 6,5x19)	
2	1SSP99AC038	SolarSpeed end rubber	p. 24
	1SSP99AC037	SolarSpeed end rubber with alu	
	1SSP99AC034	SolarSpeed pressure nail	p. 25
3	1SSP99AC099	SolarSpeed 3.0 backplate portrait 10° 1150mm*	p. 26
4	1SSP99AC081	SolarSpeed L-profile 1131/1204 - 1200mm*	p. 27
5	1SSP99AC030	SolarSpeed connector L-ballast 40mm with rubber	p. 28
	1SSP99AC031	SolarSpeed connector L-ballast 40mm with rubber + alu	
6	1SSP99AC028	SolarSpeed koppelstuk L-ballast 100 mm with rubber	p. 29
	1SSP99AC029	SolarSpeed connector L-ballast 100mm with rubber + alu	
7	1SSP99AC040	SolarSpeed concrete base + plugs	p. 30
	1SSP99AC035	SolarSpeed rubber 325x325x10 mm	p. 31
	1SSP99AC036	SolarSpeed rubber 325x325x10 mm with alu	
8	1SSP99AC001	SolarSpeed porte-ballast	p. 32
	1SSP99AC097	SolarSpeed 3.0 side panel North-South 10° portrait 1680 mm	p. 34
	1SSP99AC039	SolarSpeed geotex	p. 36

* Other sizes see p. 26 & 27

Componenten

9

	Article code	Article description	Datasheet
	1AHM32SR085 1AHM32SR086	Middle clamp basic length 60 mm alu Middle clamp basic length 60 mm black	p. 37
	1AHM32SR069 1AHM32SR070	End clamp 30 mm length 60 mm alu End clamp 30 mm length 60 mm black	p. 38
	1AHM10BT015	Allen bolt M8x20 (<i>panel size - 10 mm</i>)	p. 39
	1AHM46PL001	Plate screw 6,5x19 mm	p. 40



EASY CLICK-SYSTEM

The triangles can be easily pushed together. Thanks to the special click system, the triangles are also immediately secured. This saves even more time on the roof.

The click system allows you to attach different types of triangles to each other (E-W and N-S landscape). So you always get the most out of the available roof space.



Setup options

> NORTH - SOUTH

A North-South arrangement is a common choice for panels on flat roofs.

- The panels face south where they capture the most radiation. This is how you get the most return from your installation, especially in peaks.
- Depending on shading and location on the roof, a portrait or landscape arrangement can be chosen.

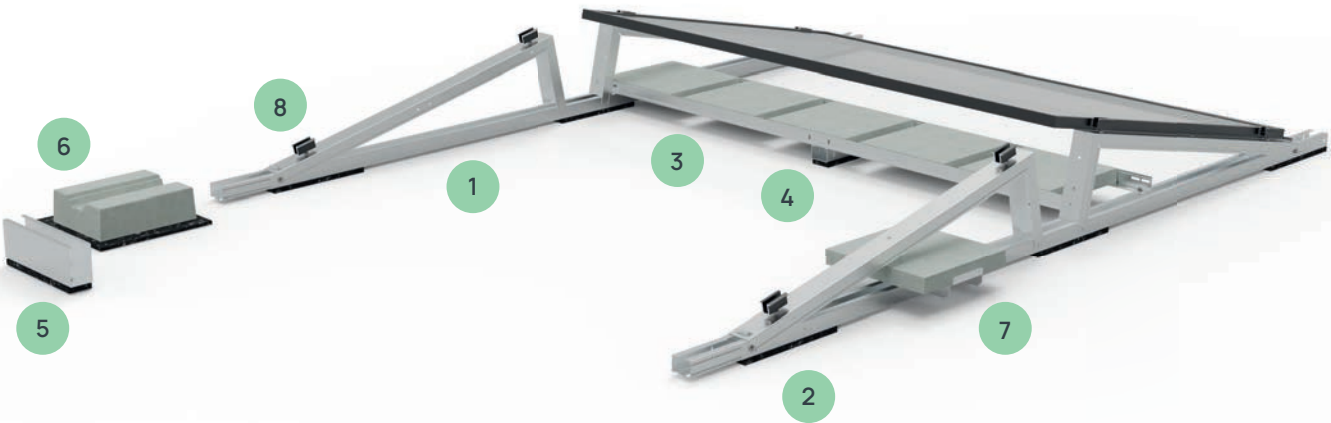
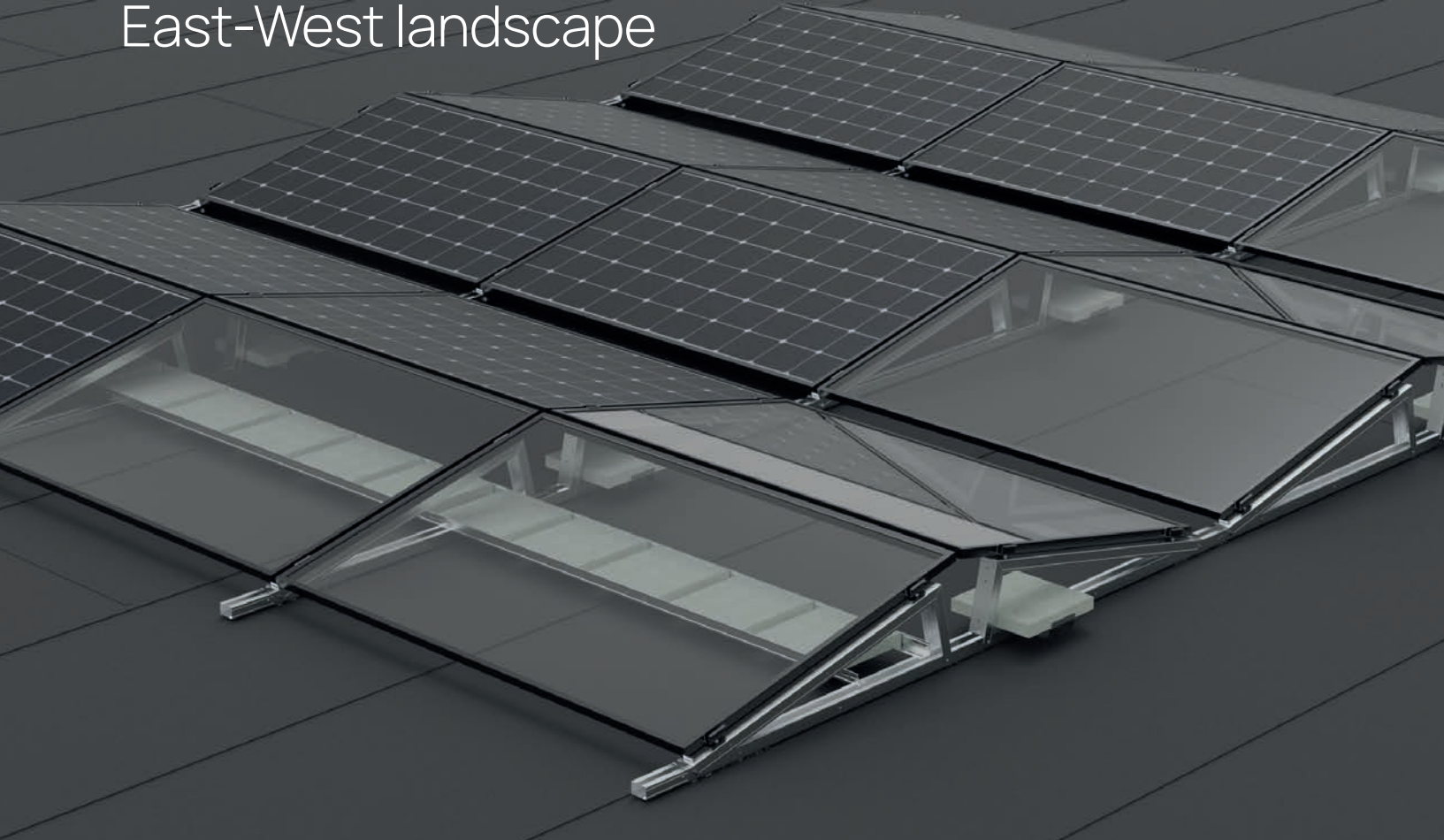


> EAST-WEST

An East-West arrangement is a perfect choice with limited roof area.

- The limited mutual shading on the panels allows more panels to be placed on the roof. This results in a higher yield per m².
- An East-West arrangement generates more stable power generation throughout the day. The plant starts up earlier and stops generating power later.
- Less ballast is required. This makes the installation lighter and suitable for roofs with a less solid substructure.

East-West landscape







Components

	Article code	Article description	Datasheet
1	1SSP19EW020	SolarSpeed 3.0 East-West landscape 12,5° 1020 mm (pan.1056/1100) pitch 2350 mm + rubber + tubtara	p. 22
	1SSP19EW021	SolarSpeed 3.0 East-West landscape 12,5° 1020 mm (pan.1056/1100) pitch 2350 mm + rubber + alu + tubtara	
	1SSP19EW017	SolarSpeed 3.0 East-West landscape 12,5° 1020 mm (pan.1101/1140) pitch 2450 mm + rubber + tubtara	
	1SSP19EW018	SolarSpeed 3.0 East-West Landscape 12,5° 1020 mm (pan.1101/1140) pitch 2450 mm + rubber + alu + tubtara	
2	1SSP99AC038	SolarSpeed end rubber	p. 24
	1SSP99AC037	SolarSpeed end rubber with alu	
	1SSP99AC034	SolarSpeed pressure nail	p. 25
3	1SSP99AC077	Solarspeed L-profile 1731/1810 - 1805 mm*	p. 27
4	1SSP99AC030	SolarSpeed connector L-ballast 40 mm with rubber	p. 28
	1SSP99AC031	SolarSpeed connector L-ballast 40 mm with rubber + alu	
5	1SSP99AC028	SolarSpeed connector L-ballast 100 mm with rubber	p. 29
	1SSP99AC029	SolarSpeed connector L-ballast 100 mm with rubber + alu	
6	1SSP99AC040	SolarSpeed concrete base + plugs	p. 30
	1SSP99AC035	SolarSpeed rubber 325x325x10 mm	p. 31
	1SSP99AC036	SolarSpeed rubber 325x325x10 mm with alu	
7	1SSP99AC001	SolarSpeed porte-ballast	p. 32
	1SSP99AC065	SolarSpeed 3.0 side panel East-West 12.5° landscape 1020 mm (pan.1056/1140 mm)	p. 35
	1SSP99AC039	SolarSpeed geotex	p. 36

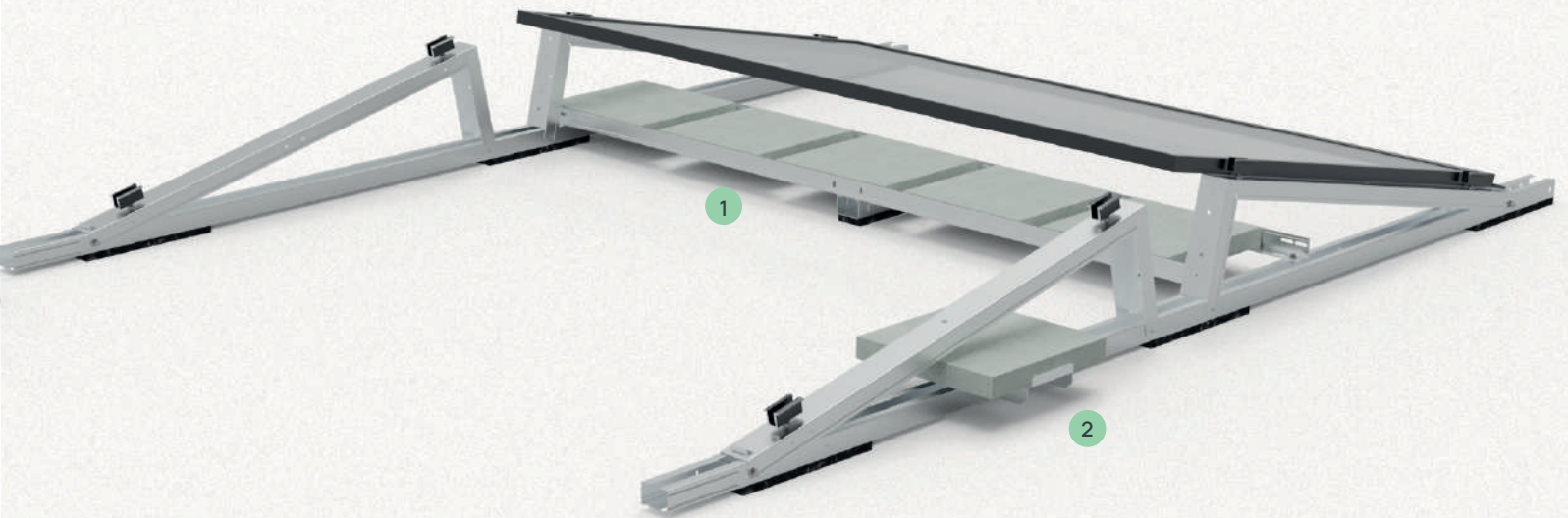
* Other sizes see p. 27

Components

	Article code	Article description	Datasheet
8 	1AHM32SR085	Middle clamp basic length 60 mm alu	p. 37
	1AHM32SR086	Middle clamp basic length 60 mm black	
	1AHM32SR069	End clamp 30 mm length 60 mm alu	p. 38
	1AHM32SR070	End clamp 30 mm length 60 mm black	
	1AHM10BT015	Allen bolt M8x20 (<i>panel size - 10 mm</i>)	p. 39
	1AHM46PL001	Plate screw 6,5X19 mm	p. 40



BALLAST PROVISION



1 SETS L-PROFILES

The sets of L-profiles are used to place ballast under the profiles and add additional reinforcement to the installation.

- On the outside of an East-West installation, ballast can only be placed by using L-profiles.
- The support in the middle of the L-profiles prevents sagging. The connectors are easily fixed with sheet metal screws.
- The connectors are adapted to the height of the L-profiles.
- The additional connection between the base units makes the entire installation even more solid.

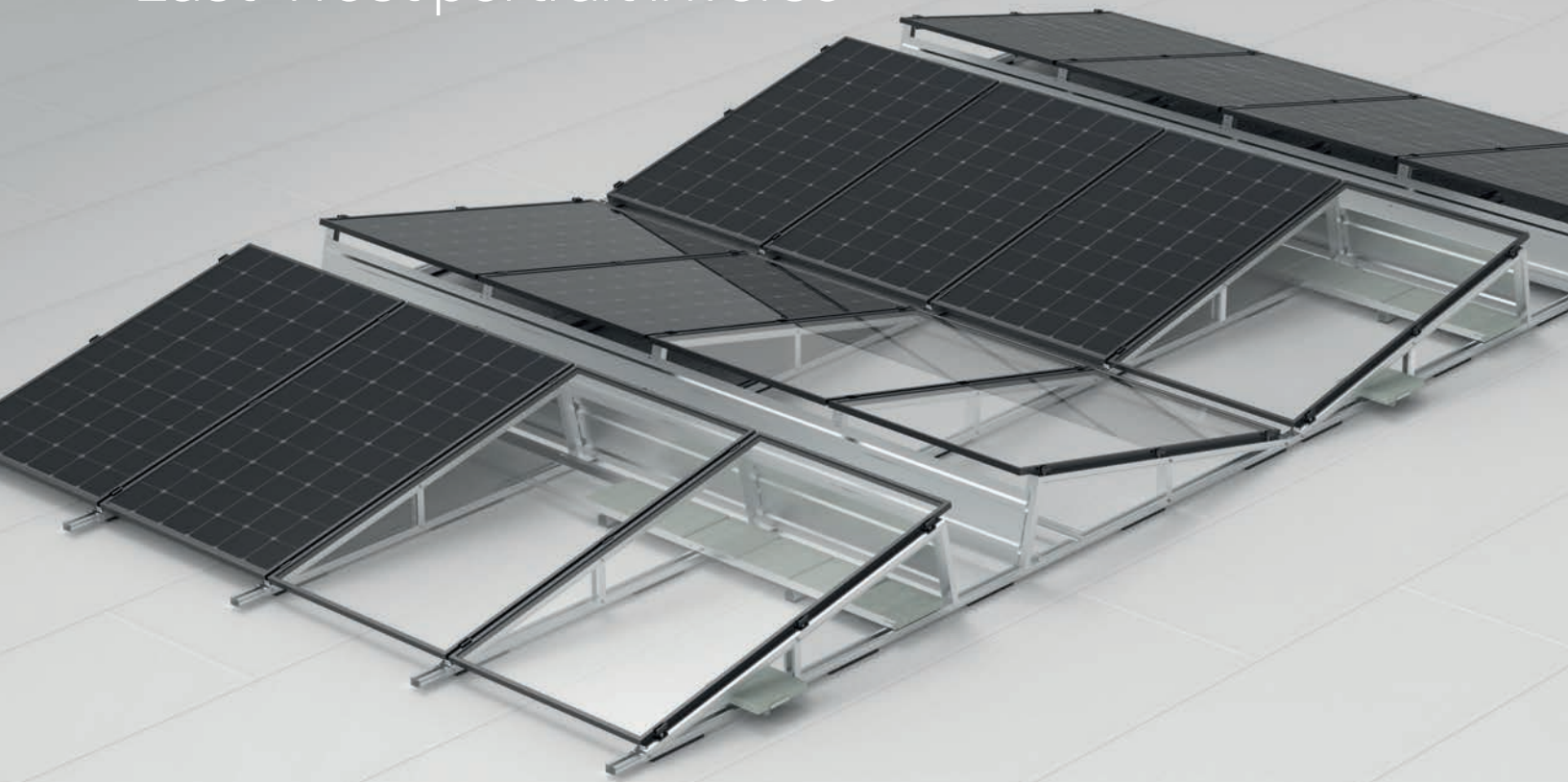
2 BALLAST HOLDERS

Ballast holders are ideally suited for installations with limited ballast.

- Ballast holders are placed on the inside of the installation.
- You quickly and easily slide the ballast holder over the ground profile of the base unit.
- Ballast holders can also be placed behind or between panels.

Both ballast facilities work with 300x300x40mm ballast tiles.

East-West portrait inverse







Components

	Article code	Article description	Datasheet
1	1SSP19EW032	SolarSpeed East-West portrait inverse 2160 mm (pan 2301-2385*) 10° pitch 5000 mm + rubber + alu + tubtara	p. 23
	1SSP19EW033	SolarSpeed East-West portrait inverse 2160 mm (pan 2301-2385*) 10° pitch 5000 mm + rubber + tubtara	
2	1SSP99AC038	SolarSpeed end rubber	p. 24
	1SSP99AC037	SolarSpeed end rubber with alu	
	1SSP99AC034	SolarSpeed pressure nail	p. 25
	1SSP99AC106	SolarSpeed backplate portrait 10° 1305 mm**	p. 26
3	1SSP99AC107	SolarSpeed L-profile 1305/1350 - 1345 mm**	p. 27
4	1SSP99AC030	SolarSpeed connector L-ballast 40 mm with rubber	p. 28
	1SSP99AC031	SolarSpeed connector L-ballast 40 mm with rubber + alu	
5	1SSP99AC028	SolarSpeed connector L-ballast 100 mm with rubber	p. 29
	1SSP99AC029	SolarSpeed connector L-ballast 100 mm with rubber + alu	
6	1SSP99AC001	SolarSpeed porte-ballast	p. 30
7	1SSP99AC040	SolarSpeed concrete base + plugs	p. 31
	1SSP99AC035	SolarSpeed rubber 325x325x10 mm	p. 32
	1SSP99AC036	SolarSpeed rubber 325x325x10 mm with alu	
	1SSP99AC039	SolarSpeed geotex	p. 36

*Other panel sizes on request

**Other sizes see p. 26 & 27

Components

	Article code	Article description	Datasheet
8 	1AHM32SR085	Middle clamp basic length 60 mm alu	p. 37
	1AHM32SR086	Middle clamp basic length 60 mm black	
	1AHM32SR069	End clamp 30 mm length 60 mm alu	p. 38
	1AHM32SR070	End clamp 30 mm length 60 mm black	
	1AHM10BT015	Allen bolt M8x20 (<i>panel size - 10 mm</i>)	p. 39
	1AHM46PL001	Plate screw 6,5X19 mm	p. 40

Advantages of an East-West portrait inverse installation



ADVANTAGEOUS >

The East-West portrait inverse arrangement is ideal for projects with new generation or larger solar panels. You need fewer materials, saving installation time and material costs.

FAST & SIMPLE >

Thanks to the mounting frames, the arrangement is quick and easy to install. In addition, the inverse arrangement has improved accessibility under the panels which makes connecting cables etc. more convenient.

SAFE >

The East-West portrait inverse arrangement has improved aerodynamics resulting in a lightweight solution. The mounting frames were developed with the latest standards and guidelines and were tested in a wind tunnel.

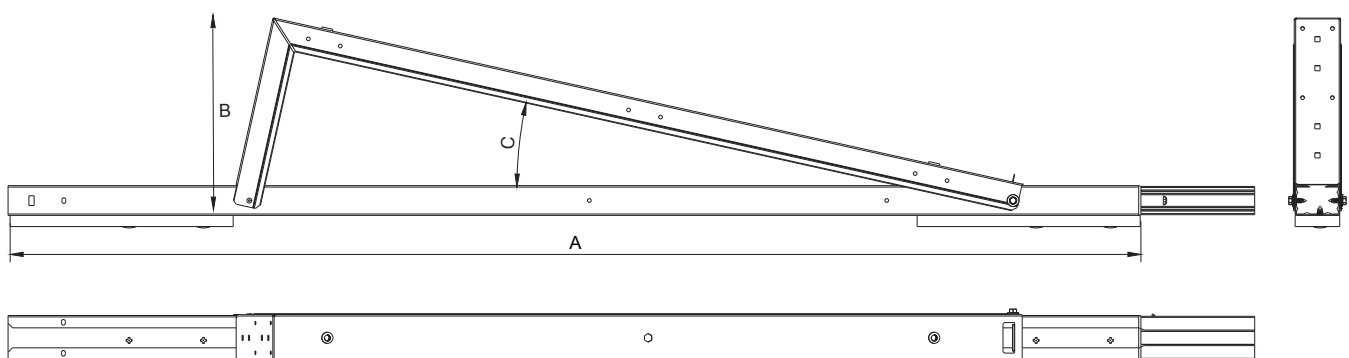
SolarSpeed 3.0 triangles North-South landscape

DATASHEET



Material	magnelis staal + rubber
Application	180 pcs./pallet

Article code	Panel size	A	B	C		Weight
1SSP19NZ020	950/1310 mm	1500 mm	250/275 mm	10°	rubber + tubtara	3750 gr
1SSP19NZ021	950/1310 mm	1500 mm	250/275 mm	10°	rubber + alu + tubtara	3750 gr
1SSP19NZ023	950/1310 mm	1600 mm	285/320 mm	12,5°	rubber + tubtara	3830 gr
1SSP19NZ024	950/1310 mm	1600 mm	285/320 mm	12,5°	rubber + alu + tubtara	3830 gr



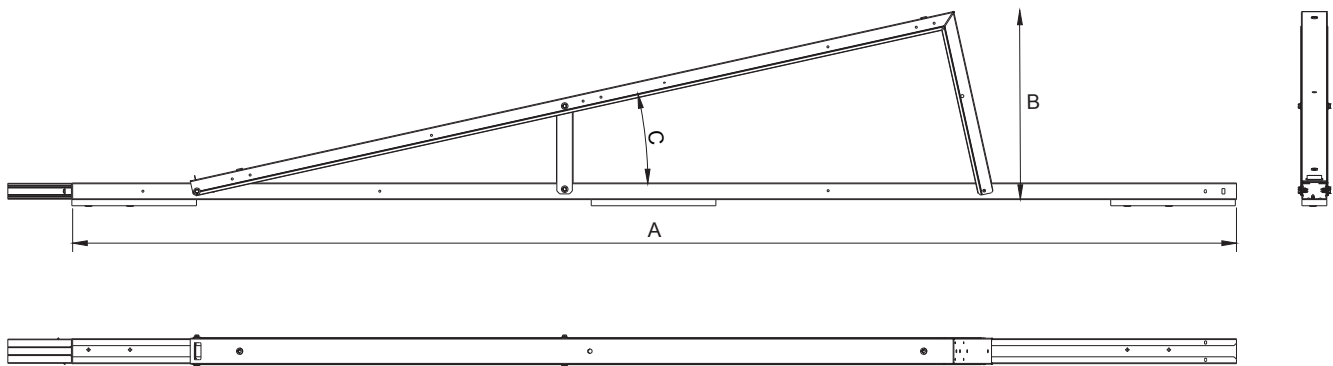
SolarSpeed 3.0 Triangles North-South portrait

DATASHEET



Material	magnelis steel + rubber
Packaging	180 pcs./pallet

Article code	Panel size	A	B	C		Weight
1SSP19NZ061	1640/1899 mm	2500 mm	380/425 mm	10°	rubber + tubtara	6070 gr
1SSP19NZ065	1640/1899 mm	2500 mm	380/425 mm	10°	rubber + alu + tubtara	6070 gr



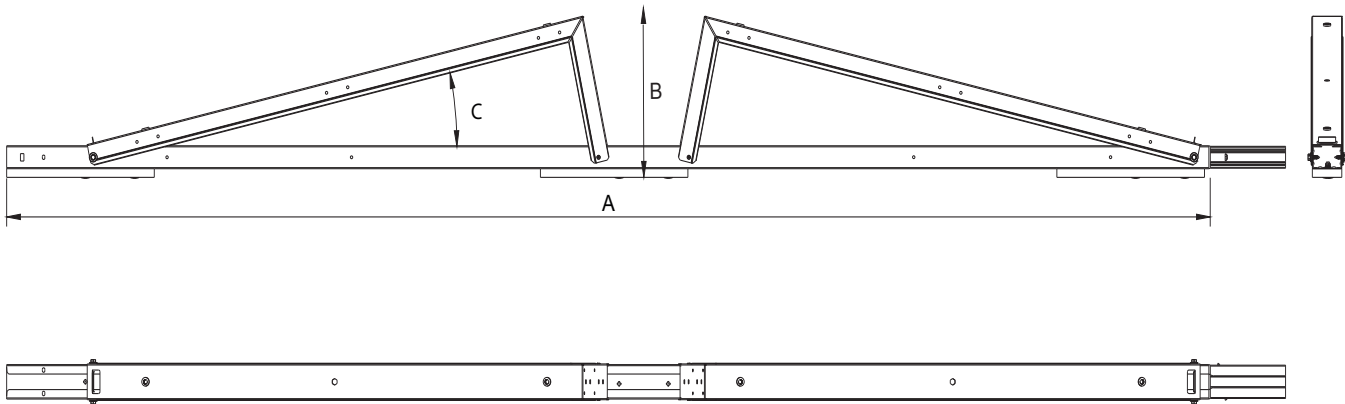
SolarSpeed 3.0 triangles East-West landscape

DATASHEET



Material	magnelis steel + rubber
Packaging	180 pcs/pallet

Article code	Panel size	A	B	C		Weight
1SSP19EW020	1056/1100 mm	2350 mm	320/330 mm	12,5°	rubber + tubtara	6280 gr
1SSP19EW021	1056/1100 mm	2350 mm	320/330 mm	12,5°	rubber + alu + tubtara	6270 gr
1SSP19EW017	1101/1140 mm	2450 mm	330/340 mm	12,5°	rubber + tubtara	6400 gr
1SSP19EW018	1101/1140 mm	2450 mm	330/340 mm	12,5°	rubber + alu + tubtara	6390 gr



Solarspeed inverse East-West Portrait

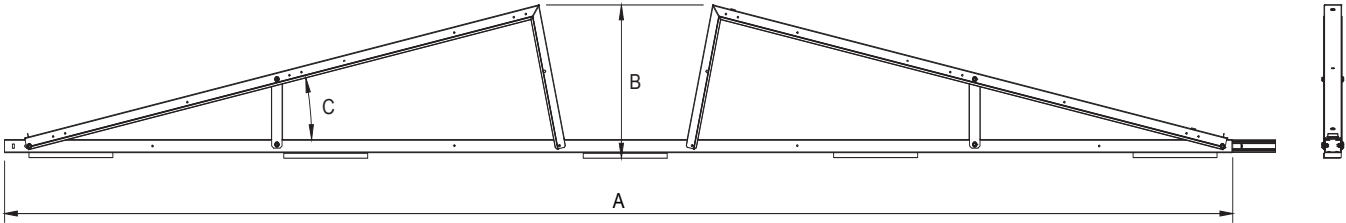
DATASHEET



Material	magnelis steel + rubber
Packaging	each, 180 pcs/pallet

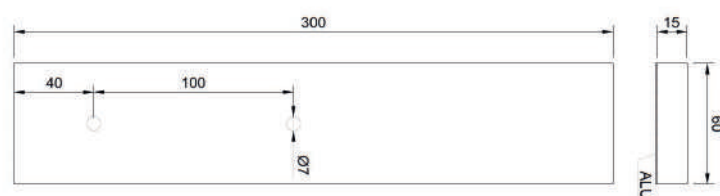
Article code	Panel size*	A	B	C		Weight
1SSP19EW032	2301/2385 mm	5000 mm	495/505 mm	10°	rubber + alu + tubtara	13327 gr
1SPP19EW033	2301/2385 mm	5000 mm	495/505 mm	10°	rubber + tubtara	13107 gr

* Other panel sizes available upon request





Article code	1SSP99AC038 1SSP99AC037 (+ alu)
Material	rubber, rubber + alu
Weight	210 gr
Packaging	per piece, 4.320 pcs./pallet

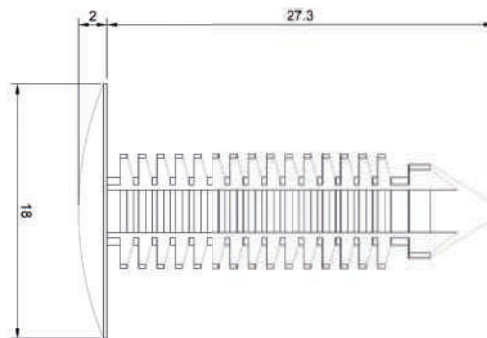


SolarSpeed pressure nail

DATASHEET



Article code	1SSP99AC034
Material	Plastic
Weight	110 gr
Packaging	100 pcs/bag



SolarSpeed backplate landscape/portrait

DATASHEET



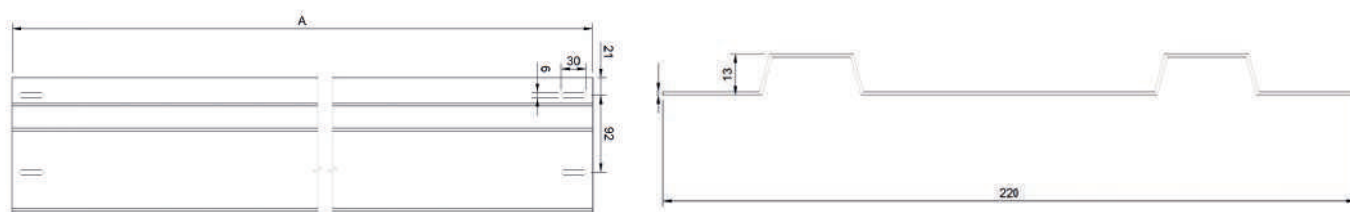
Material	magnelis steel
Packaging	per piece, 500 pcs/pallet

> LANDSCAPE

Article code	Degrees	A (length)	B (length)	Weight
1SSP99AC086	10°-12,5°-15°	1805 mm	235 mm	2150 gr
1SSP99AC090	10°-12,5°-15°	1805 mm	235 mm	2240 gr
1SSP99AC091	10°-12,5°-15°	1965 mm	235 mm	2300 gr
1SSP99AC087	10°-12,5°-15°	2045 mm	235 mm	2430 gr
1SSP99AC088	10°-12,5°-15°	2125 mm	235 mm	2530 gr
1SSP99AC089	10°-12,5°-15°	2205 mm	235 mm	2630 gr
1SSP99AC100	10°-12,5°-15°	2279 mm	235 mm	2710 gr

> PORTRAIT

Article code	Degrees	A (length)	B (length)	Weight
1SSP99AC099	10°	1150 mm	295 mm	1660 gr





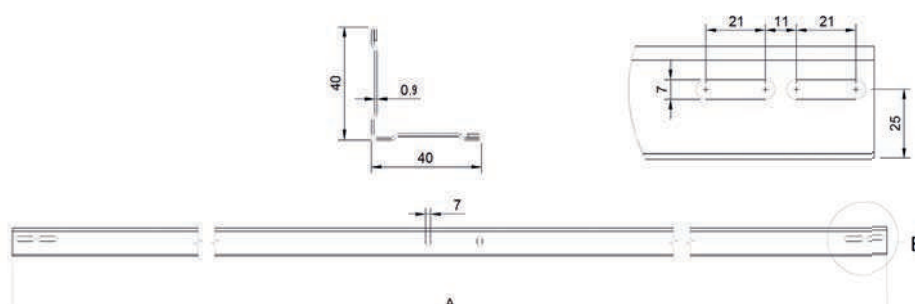
Material	magnelis steel
Packaging	2st./set, 500 sets/pallet

> **LANDSCAPE**

Article code	Panel size	A (length)	Weight
1SSP99AC077	1731/1810 mm	1805 mm	1157 gr
1SSP99AC082	1811/1890 mm	1805 mm	1210 gr
1SSP99AC083	1891/1970 mm	1965 mm	1260 gr
1SSP99AC084	1971/2050 mm	2045 mm	1310 gr
1SSP99AC079	2051/2130 mm	2125 mm	1360 gr
1SSP99AC080	2131/2210 mm	2205 mm	1410 gr
1SSP99AC101	2211/2290 mm	2285 mm	1465 gr

> **PORTRAIT**

Article code	Panel size	A (length)	Weight
1SSP99AC081	1131/1204 mm	1200 mm	770 gr

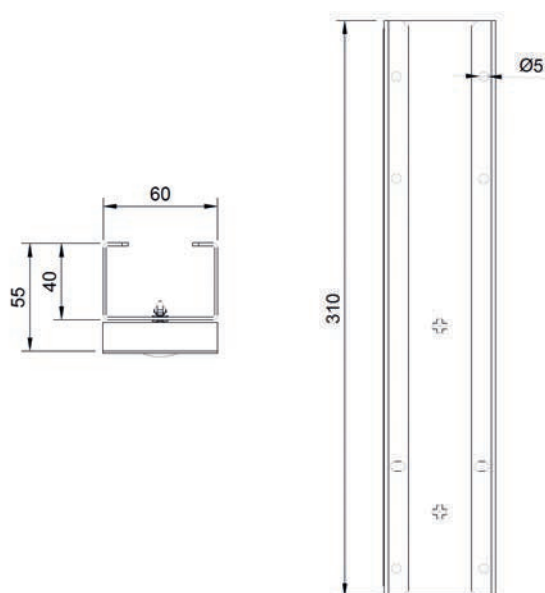


SolarSpeed connector L-ballast 40 mm

DATASHEET



Article code	1SSP99AC030 1SSP99AC031 (+ alu)
Application	support L-ballast profiles
Material	magnelis steel
Weight	570 gr
Packaging	per piece, 924 pcs/pallet

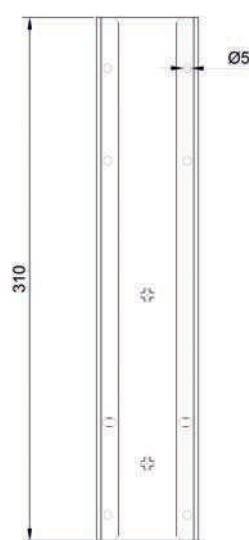
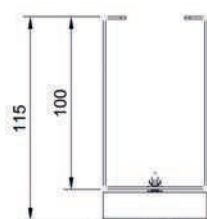


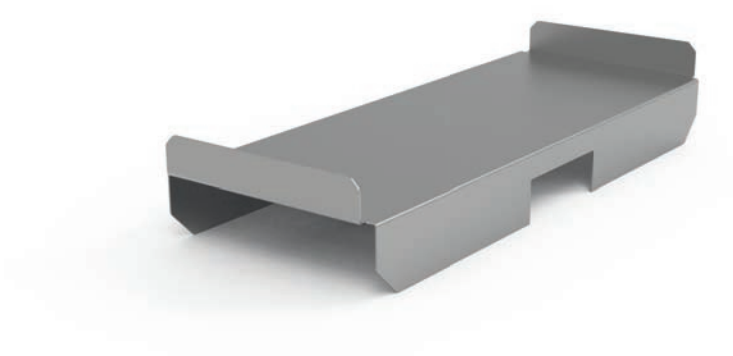
SolarSpeed connector L-ballast 100 mm

DATASHEET

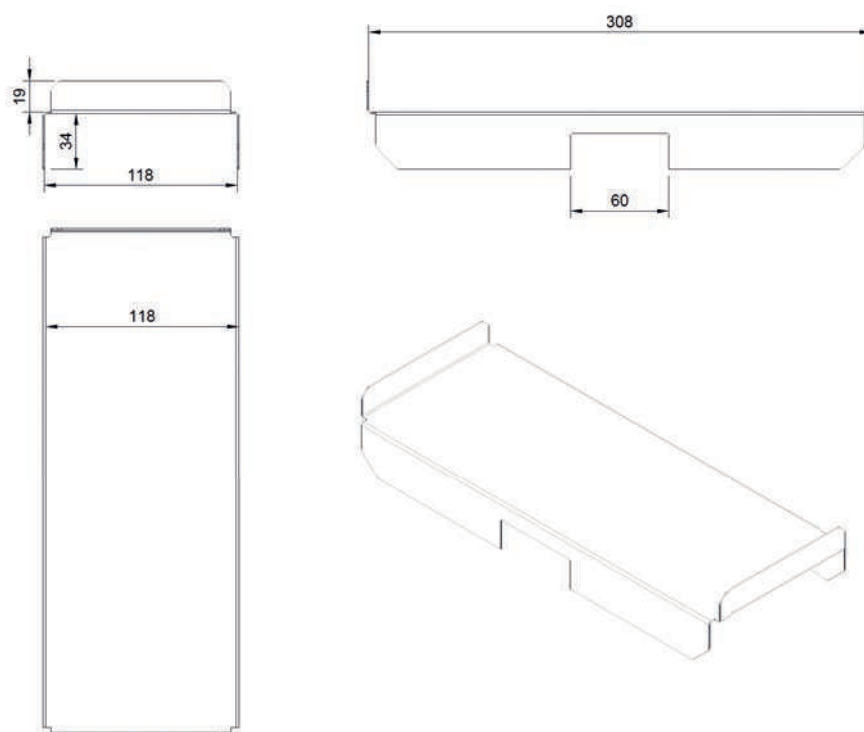


Article code	1SSP99AC028 1SSP99AC029 (+ alu)
Application	support L-ballast profiles with concrete base
Material	magnelis steel
Weight	838 gr
Packaging	per piece





Article code	1SSP99AC001
Material	magnelis steel
Weight	478 gr
Packaging	per piece, 900 pcs/pallet

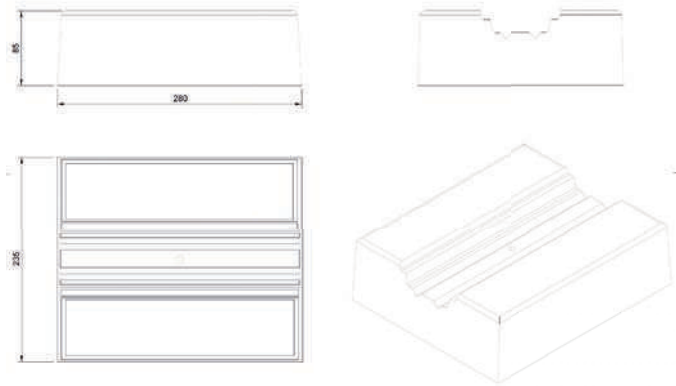


SolarSpeed concrete base + plugs

DATASHEET

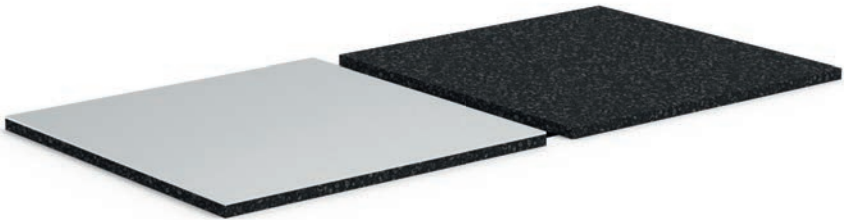


Article code	1SSP99AC040
Material	concrete
Weight	12 kg
Packaging	per piece, 90 pcs/pallet

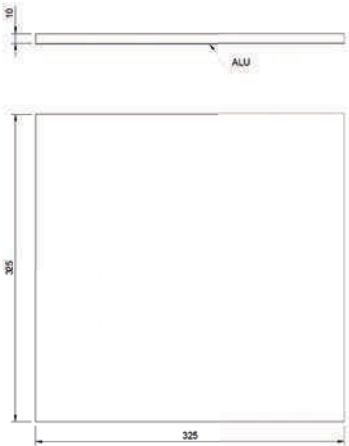


SolarSpeed rubber 325x325x10 mm

DATASHEET



Article code	1SSP99AC035 1SSP99AC036 (+ alu)
Material	rubber, rubber + alu
Weight	845 gr
Packaging	per piece, 900 pcs/pallet

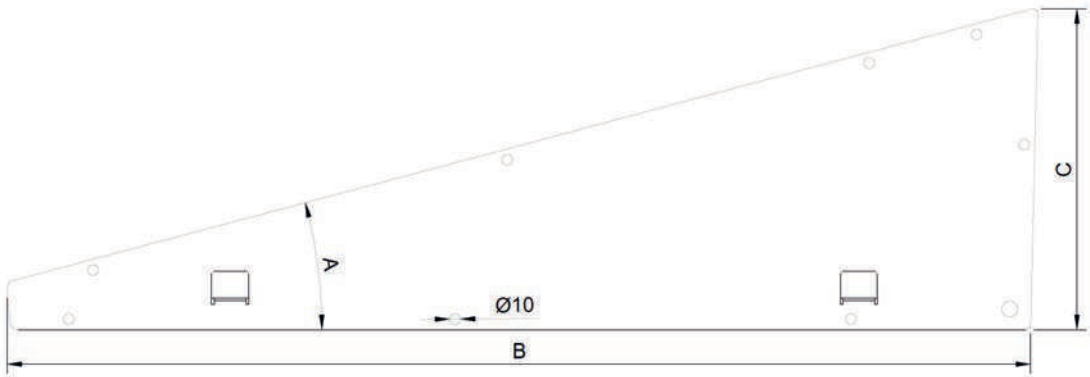


SolarSpeed 3.0 Plate North-South landscape

DATASHEET



Material	magnelis steel			
Packaging	per piece, 500 pcs/pallet			
Article code	A (degrees)	B (length)	C (height)	Weight
1SSP99AC076	10°	2100 mm	210 mm	910 gr
1SSP99AC063	12,5°	2150 mm	300 mm	750 gr

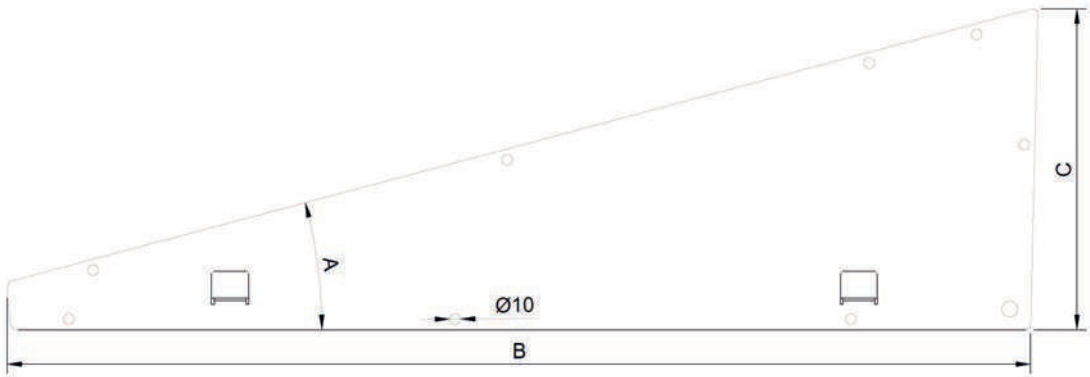


SolarSpeed 3.0 side plate North-South portrait

DATASHEET



Material	magnelis steel		
Packaging	per piece, 500 pcs/pallet		
Article code	A (degrees)	B (pitch)	C (height)
1SSP99AC097	10°	1530 mm	320 mm

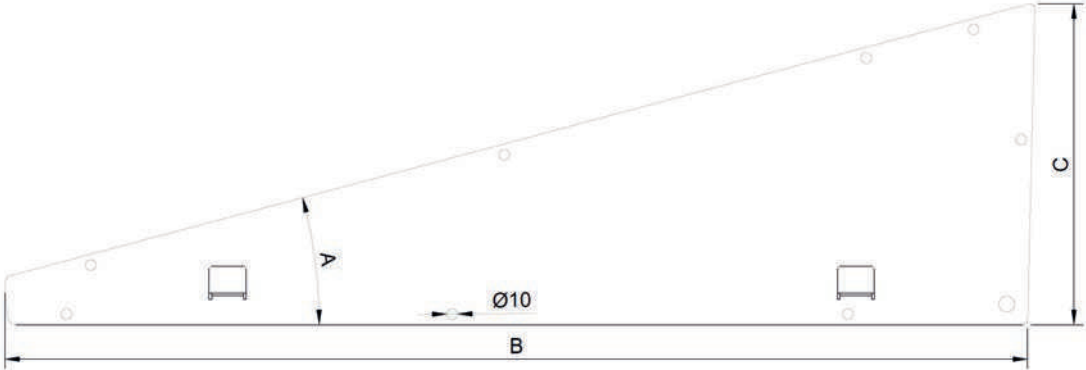


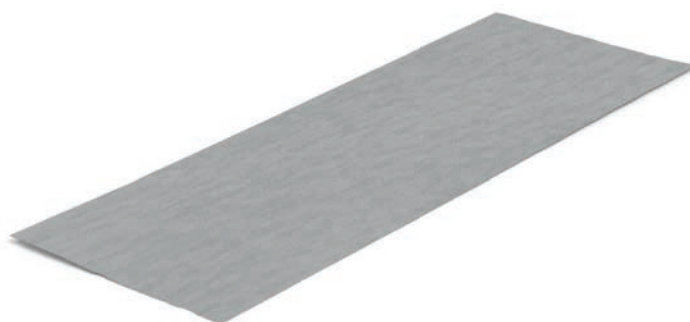
SolarSpeed 3.0 side plate East-West landscape

DATASHEET

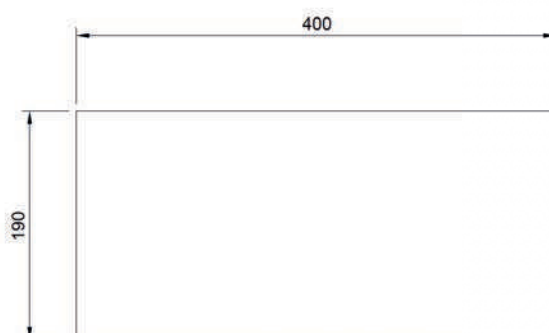


Material	magnelis steel			
Packaging	per piece, 500 pcs/pallet			
Article code	A (degrees)	B (pitch)	C (height)	weight
1SSP99AC065	12,5°	980 mm	250 mm	670 gr



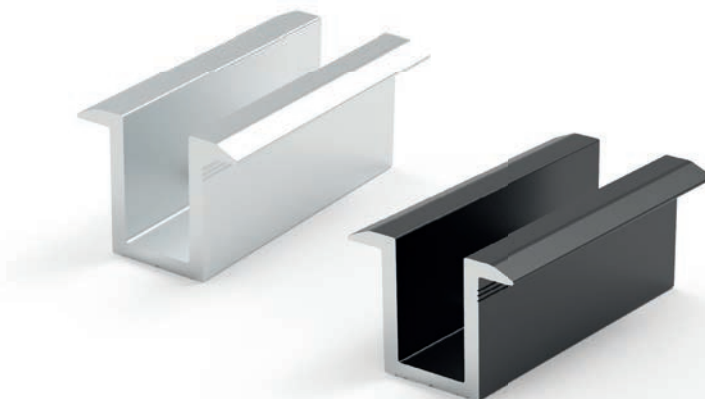


Article code	1SSP99AC039
Application	alternative for alu under rubber
Material	geotex
Weight	20 gr
Packaging	per piece

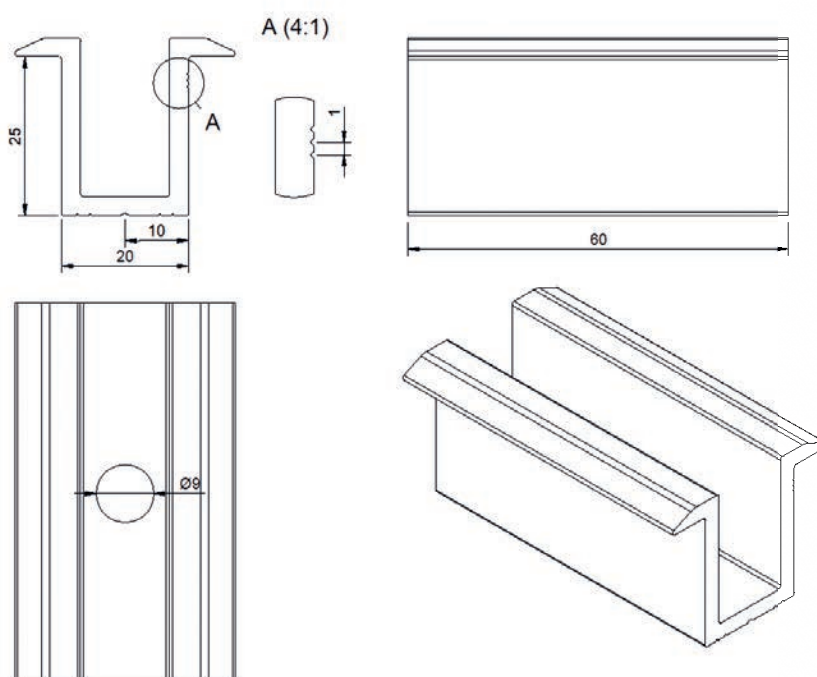


Middle clamp basic length 60 mm

DATASHEET



Article code	1AHM32SR085 (alu) 1AHM32SR086 (black)
Material	ALU6063T5
Color	alu / black
Weight	50 gr
Application	pitched roof, tiled roof, steeldeck, trapezoid, corrugated roof, slate roof, zinc roof, flat roof
packaging	100 pcs/box, 10.000 pcs/pallet

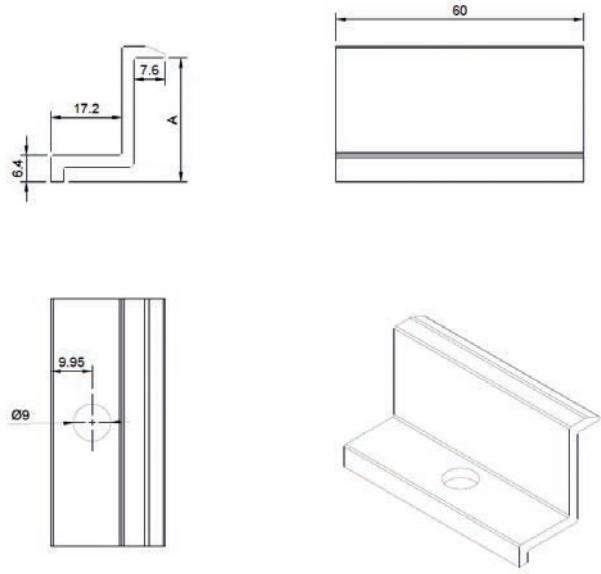


End clamp 30 mm length 60 mm



Article code	1AHM32SR069 (alu) 1AHM32SR070 (black)	
Material	ALU6063T5	
Color	alu / black	
Weight	30 gr	
Application	pitched roof, tiled roof, steeldeck, trapezoid, corrugated roof, slate roof, zinc roof, flat roof	
Packaging	1AHM32SR069	300 pcs./carton, 27.000 pcs./pallet
	1AHM32SR070	300 pcs./carton, 28.800 pcs./pallet

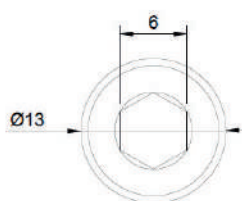
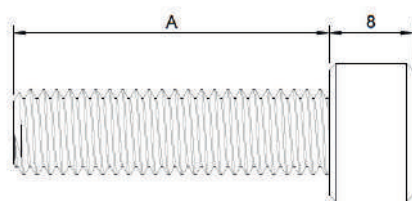
	Alu	Black	Weight
30 mm	1AHM32SR069	1AHM32SR070	30 gr
35 mm	1AHM32SR071	1AHM32SR072	30 gr





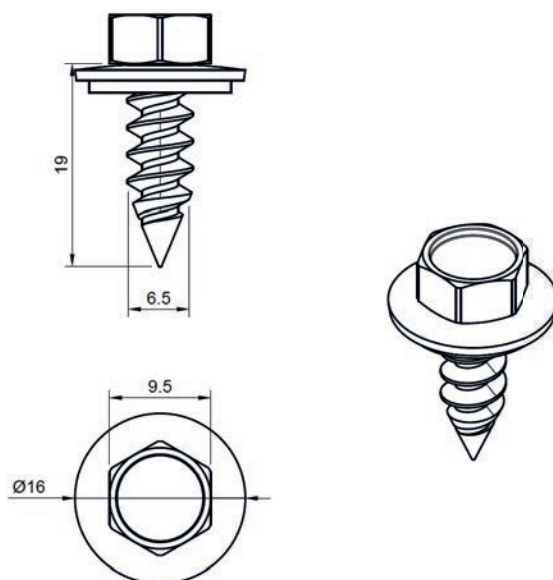
Article code	1AHM10BT015
Material	SSA2
Packaging	100 pcs/box

	Alu	Weight
M8x20	1AHM10BT015	10 gr
M8x25	1AHM10BT017	20 gr
M8x30	1AHM10BT019	20 gr





Article code	1AHM46PL001
Material	SSA2
Weight	6 gr
Packaging	100 pcs./box



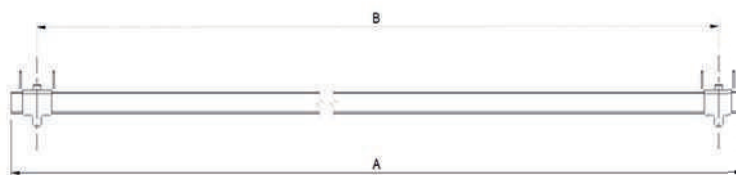
Solarspeed calibration bar

DATASHEET

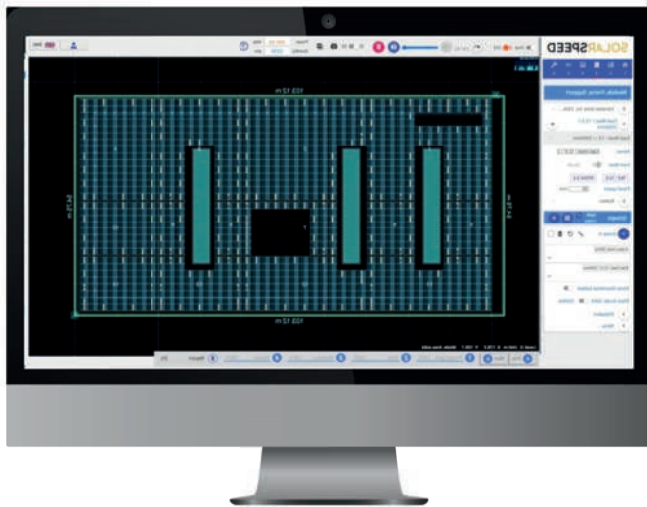


Article code	1SSP99AC033
Material	magnelis steel
Packaging	per piece

Article code	A (length)	B (length)
1SSP99AC033	1750 mm	1680 mm
1SSP99AC062	2100 mm	2000 mm
1SSP99AC061	2250 mm	2180 mm



SolarSpeed calculator



With this free online software you easily work out your projects. Sketch the roof and PV installation, and the software automatically calculates the ballast plan. All information, including parts list and placement, can be found in a clear report.

solarspeed.avasco.be





Scan the QR code for more information over **SolarSpeed**

Allimex Green Power

0260-0224-EN Changes and/or printing errors reserved.

Transportstraat 1B
3980 Tessenderlo, Belgium

> +32 (0)11 46 00 70
info@allimex-greenpower.eu

> allimexgreenpower.com
We care. We dare. We deliver

