

MOUNTING ANCHOR

The universal mounting anchor is designed for the mechanical and ballast-free mounting of solar panels on flat and slightly pitched roofs (up to 45°). In combination with a suitable slab (bitumen or universal), a durable, watertight connection to the roof surface is guaranteed.

- > Suitable for flat and sloping roofs (45°).
- > 100% waterproof thanks to the reliable sealing layer.
- > 20-year warranty on the adhesion of the anchor when used with the adhesive.
- > Resistant to high pressure and tensile forces.
- > Prevents damage to the roof covering.
- > Simple and quick installation.
- > Lightweight

Allimex Green
Power

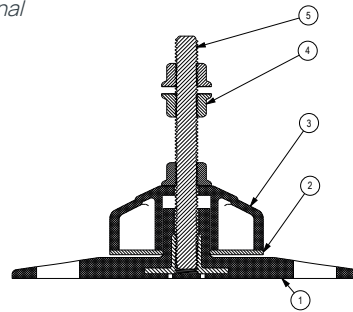
DATASHEET

Article code	Description	Application	Weight
1AHM15AN003	base set + slab universal Ø300	EPDM, PVC, TPO	250 gr + 700 gr
1AHM15AN001	base set + slab bitumen Ø350	bitumen	250 gr + 700 gr
1AHMACMP003	Fastconnector*	bitumen, EPDM, PVC, TPO	190 gr
1HFR12ZZ008	cable conduit wit Ø125 + heat shrink*	EPDM	1000 gr
1HFR12ZZ007	cable conduit grijs Ø125 + heat shrink*	EPDM	1000 gr
1HFR12ZZ006	cable conduit wit Ø75 + heat shrink*	EPDM	500 gr
1HFR12ZZ005	cable conduit grijs Ø75 + heat shrink*	EPDM	500 gr
1HFR12ZZ009	cleaner/activator 500ml*	EPDM, PVC, TPO	/
1HFR12ZZ004	instant multi glue 22l*	EPDM, PVC, TPO	18,6 kg (900 ankers)
1HFR12ZZ003	adhesive for universal EPDM – spray can 750ml	EPDM, PVC, TPO	759 ml (30 ankers)
1AHM15AC006	short glue gun*	EPDM, PVC, TPO	/
1AHM15AC007	glue gun with 4m rubber hose*	EPDM, PVC, TPO	/

Please note! All mounting anchors are supplied per set (base set + slab). *Optional

COMPONENTS BASE SET

1. Mounting plate Ø150 mm
2. Sealing ring 2 mm
3. Cover cap Ø66 mm
4. 3 x M10 knurled nut
5. M10 Threaded rod



KIWA TESTS

These tests, with report number 25L0199/1, were carried out by Kiwa BDA Testing. Both the tensile tests in the vertical and horizontal directions were carried out until failure.

Direction	Underground	Result
vertical	concrete	5796N
*horizontal	concrete	3805N
vertical	wood	5885N
*horizontal	wood	3989N
vertical	steel	4624NN
*horizontal	steel	2789N

*Take into account the compressive strength of the roof insulation. These values are the maximum forces for the anchors themselves.

GENERAL INSTALLATION GUIDELINES

Place mounting anchors at a maximum distance of 1.40 meters apart. Have wind loads and mounting distances calculated in advance by a structural engineer. Use suitable slabs (bitumen or universal) according to the roof covering and follow the correct processing guidelines. Use suitable screws according to the manufacturer's guidelines. Installation by a certified roofer is strongly recommended.

Headquarters

Transportstraat 1B
3980 Tessenderlo-Ham, Belgium

> +32 (0)11 72 96 50
info@allimex-greenpower.eu

> allimexgreenpower.com
We care. We dare. We deliver

