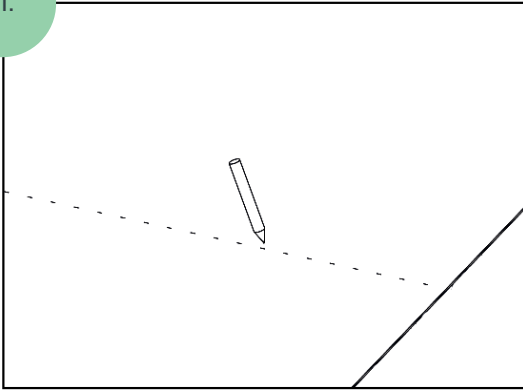


INSTALLATION INSTRUCTIONS

Universal mounting anchor

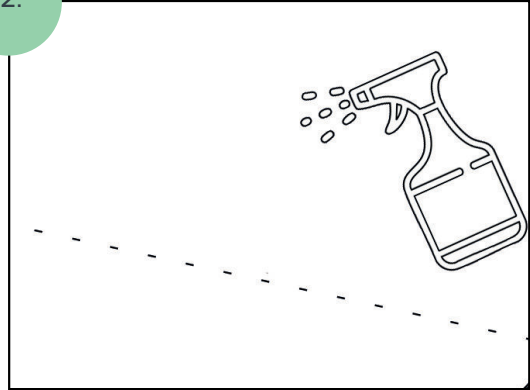
WOODEN & STEEL ROOF STRUCTURE

1.



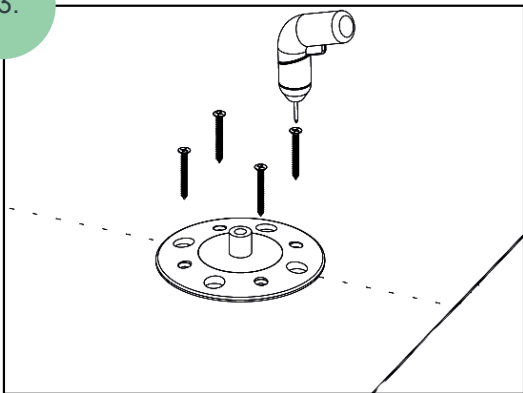
Determine and mark where the mounting anchors will be placed. Take into account the maximum mounting distance of 1.40 meters between the anchors.

2.



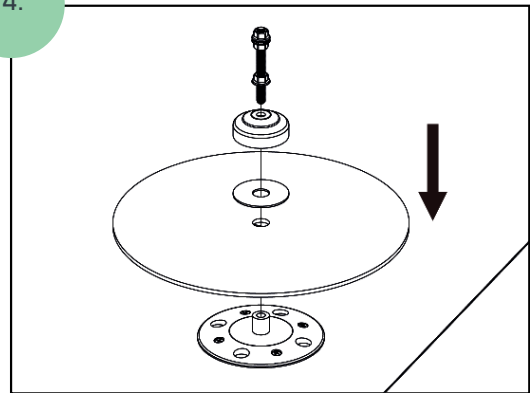
Ensure surfaces are dry, dust- and grease-free. Spray adhesive* evenly from 30 cm without overlap. Glue area must extend at least 20 mm beyond slab edges.

3.



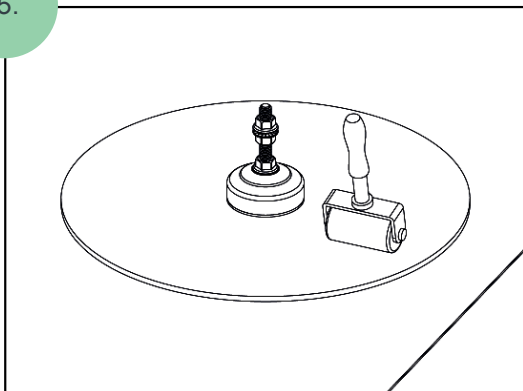
After 2–4 minutes, place the plastic mounting plate in the designated position on the roof. Secure it with four suitable screws**, depending on the substrate and insulation thickness.

4.



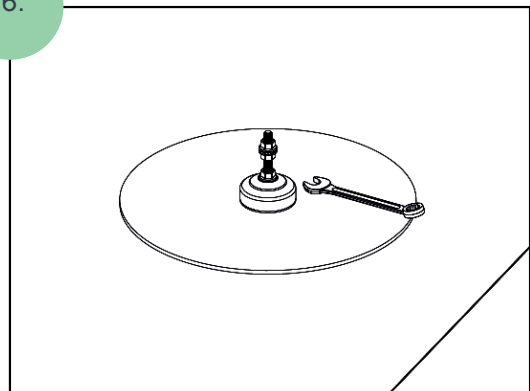
Place the slab and sealing ring over the threaded rod, followed by the cover cap and the knurled nut.

5.



Press the slab firmly with a hard PVC roller to achieve optimal adhesion and sealing.

6.



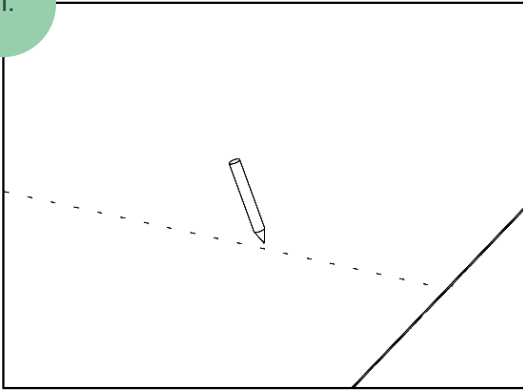
Ensure that the nut and bolt are properly tightened so that all components are securely and watertight fixed.

* Alphathor flaps can be used to overlap flat roof anker. This has to be applied with glue provided by Alphathor.

**Use suitable screws in accordance with the manufacturer's guidelines.

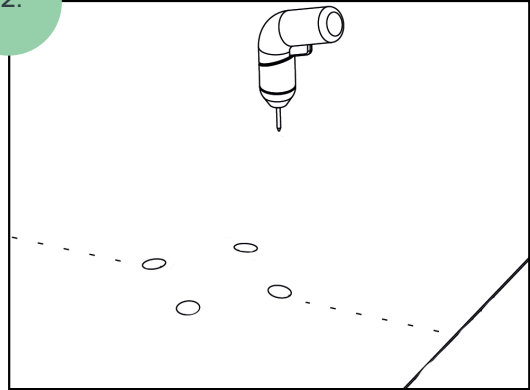
CONCRETE ROOF STRUCTURE

1.



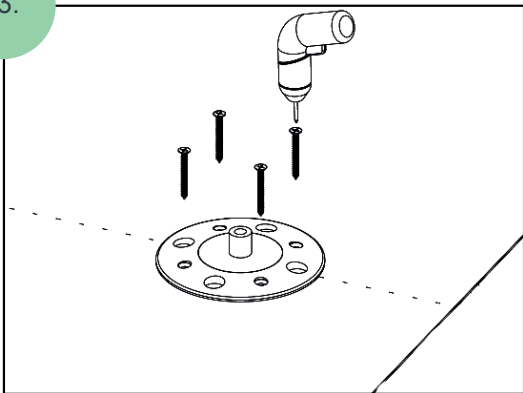
Determine and mark where the mounting anchors will be placed. Take into account the maximum mounting distance of 1.40 meters between the anchors.

2.



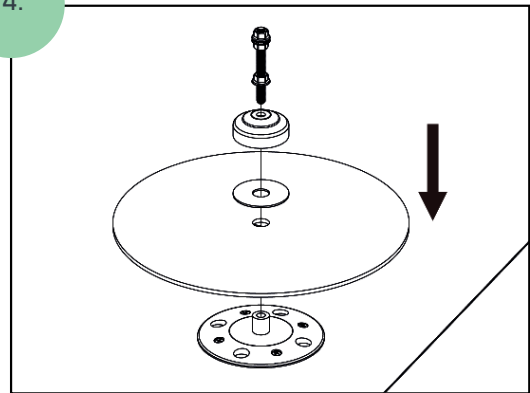
Pre-drill four holes at the marked locations. Ensure surfaces are dry, dust- and grease-free. Spray adhesive* evenly from 30 cm without overlap. Glue area must extend at least 20 mm beyond slab edges.

3.



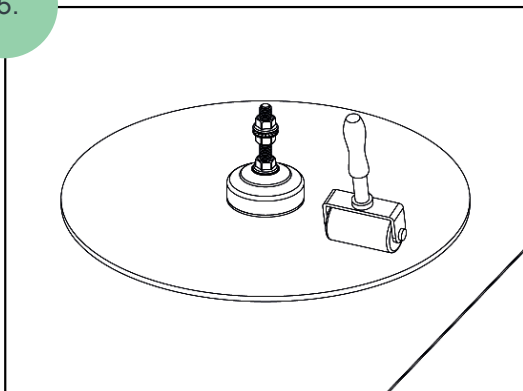
After 2–4 minutes, place the plastic mounting plate in the designated position on the roof. Secure it with four suitable screws**, depending on the substrate and insulation thickness.

4.



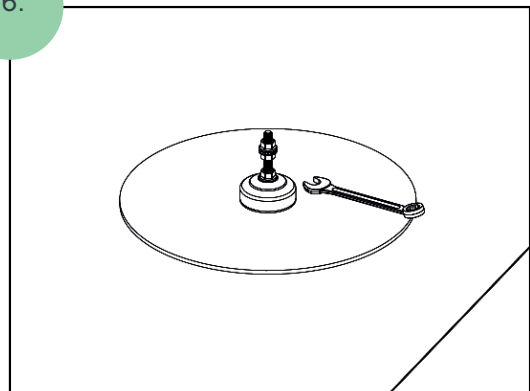
Place the slab and sealing ring over the threaded rod, followed by the cover cap and the knurled nut.

5.



Press the slab firmly with a hard PVC roller to achieve optimal adhesion and sealing.

6.



Ensure that the nut and bolt are properly tightened so that all components are securely and watertight fixed.

* Alphathor flaps can be used to overlap flat roof anker. This has to be applied with glue provided by Alphathor.

**Use suitable screws in accordance with the manufacturer's guidelines.

Screw selection based on insulation thickness

The table below helps you determine the appropriate screw length based on the thickness of the insulation used. It is essential that the screws provide adequate anchorage in the substrate, taking into account both the insulation thickness and the required minimum embedment depth. Always refer to this table to ensure correct and secure fastening for each application.

WOODEN & STEEL ROOF STRUCTURE

Article code	Reference	Dimension	Isolation thickness
1AHM15AS002	screw mounting anchor wood/steel 4,8x50 mm EDS-B-48050	EDSB48 x 50	-
1AHM15AS003	screw mounting anchor wood/steel 4,8x150 mm EDS-B-48150	EDSB48 x 150	MAX 120 mm
1AHM15AS004	screw mounting anchor wood/steel 4,8x180 mm EDS-B-48180	EDSB48 x 180	MAX 150 mm
1AHM15AS005	screw mounting anchor wood/steel 4,8x210 mm EDS-B-48210	EDSB48 x 210	MAX 180 mm
1AHM15AS006	screw mounting anchor wood/steel 4,8x240 mm EDS-B-48240	EDSB48 x 240	MAX 200 mm

CONCRETE ROOF STRUCTURE

Article code	Reference	Dimension	Isolation thickness
1AHM15AS007	screw mounting anchor concrete 6,3x45 mm EFHD-63045	EFHD63 x 45	-
1AHM15AS008	screw mounting anchor concrete 6,3x160 mm EFHD-63160	EFHD63 x 160	MAX 120 mm
1AHM15AS009	screw mounting anchor concrete 6,3x180 mm EFHD-63180	EFHD63 x 180	MAX 140 mm
1AHM15AS010	screw mounting anchor concrete 6,3x200 mm EFHD-63200	EFHD63 x 200	MAX 160 mm

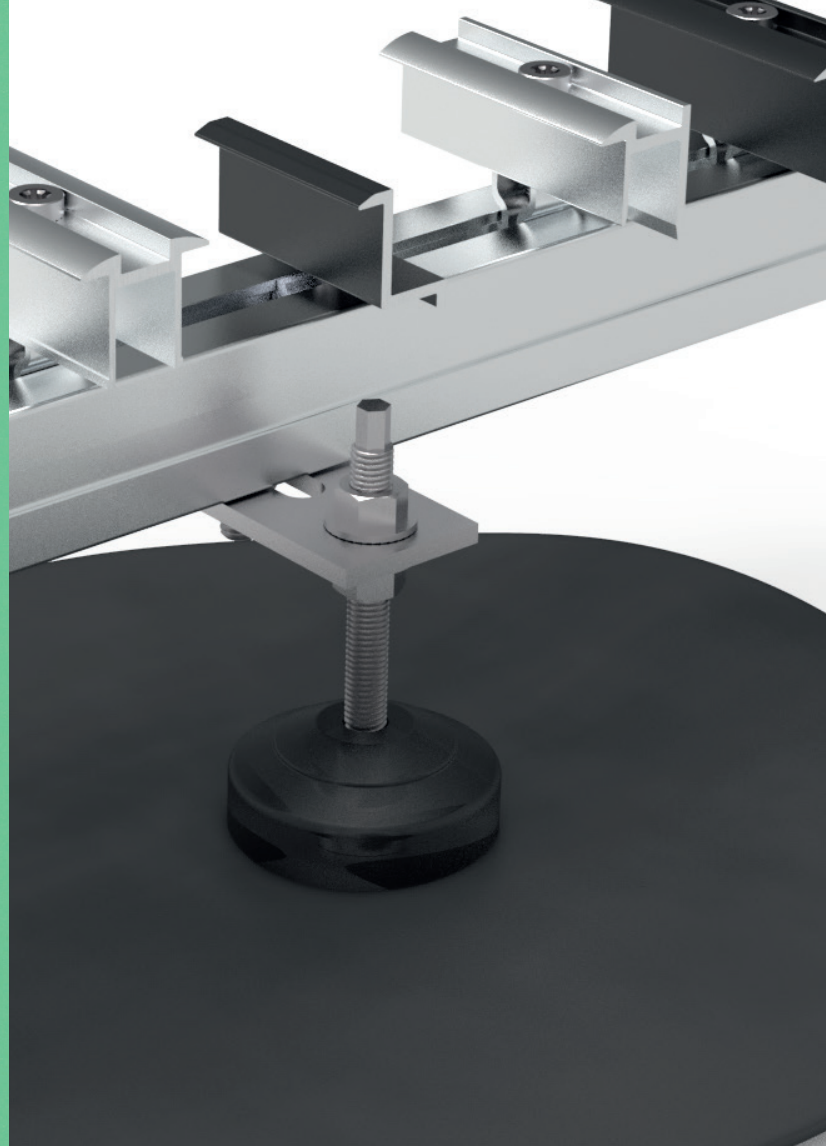
Headquarters

Transportstraat 1B
3980 Tessenderlo-Ham, Belgium

> +32 (0)11 72 96 50
info@allimex-greenpower.eu

> [allimexgreenpower.com](https://www.allimexgreenpower.com)
We care. We dare. We deliver



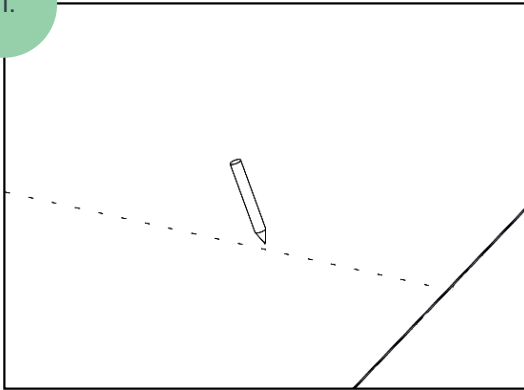


INSTALLATION INSTRUCTIONS

Mounting anchor for bitumen

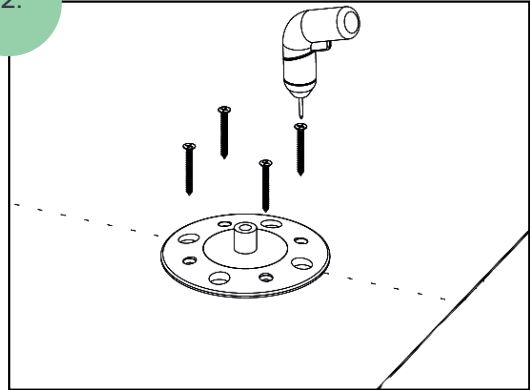
WOODEN & STEEL ROOF STRUCTURE

1.



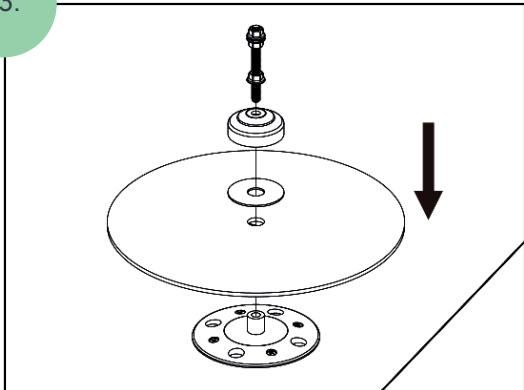
Determine and mark where the mounting anchors will be placed. Take into account the maximum mounting distance of 1.40 meters between the anchors.

2.



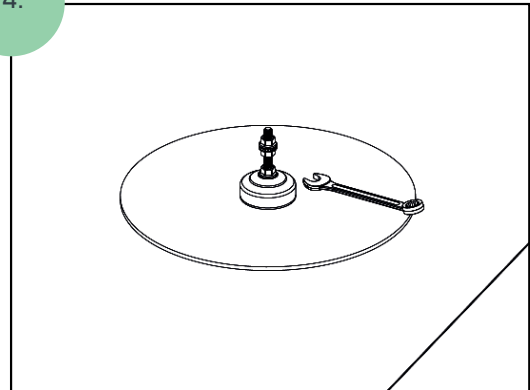
Place the plastic mounting plate in the designated position on the roof. Secure it with four suitable screws*, depending on the substrate and insulation thickness.

3.



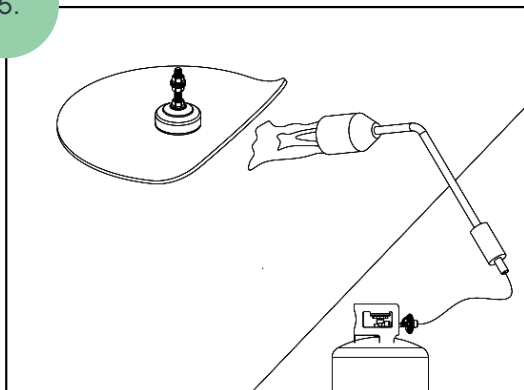
First place the slab and sealing ring over the threaded rod, followed by the cover cap and the knurled nut.

4.



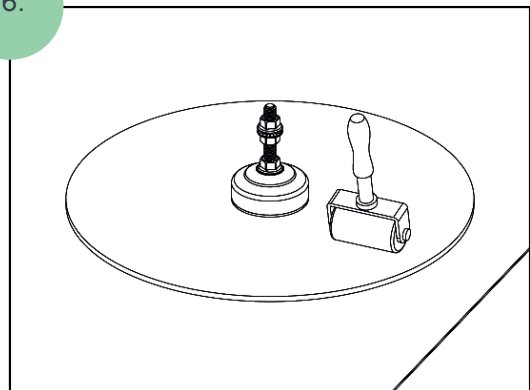
Ensure that the nut and bolt are properly tightened so that all components are securely and watertight fixed.

5.



Heat the underside of the slab until the bitumen becomes liquid.

6.

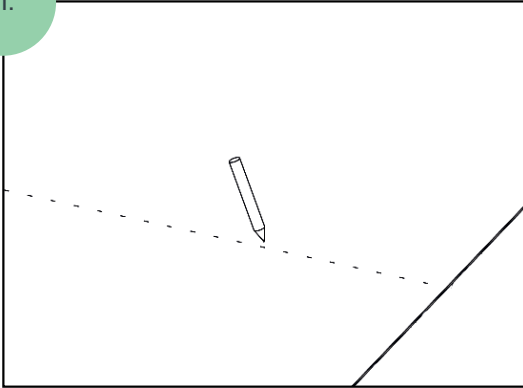


Press the slab firmly with a hard PVC roller to achieve optimal adhesion and sealing.

*Use suitable screws in accordance with the manufacturer's guidelines.

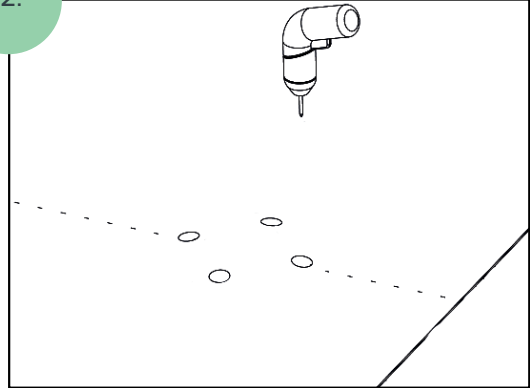
CONCRETE ROOF STRUCTURE

1.



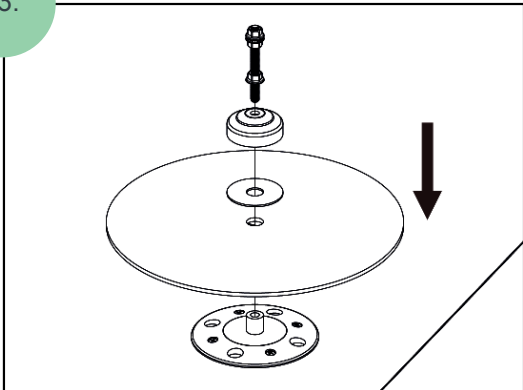
Determine and mark where the mounting anchors will be placed. Take into account the maximum mounting distance of 1.40 meters between the anchors.

2.



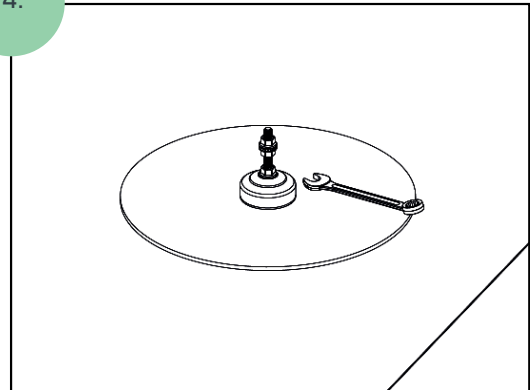
Pre-drill four holes at the marked locations. Then place the plastic mounting plate and secure it with four suitable screws*, depending on the substrate and insulation thickness.

3.



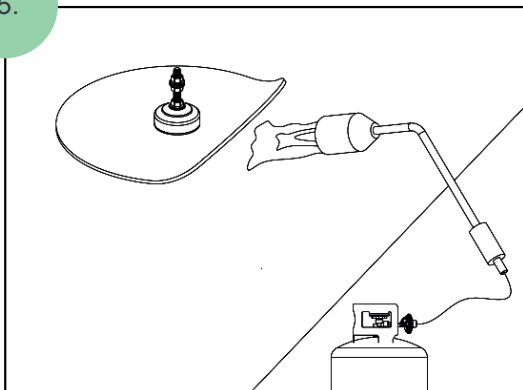
First place the slab and sealing ring over the threaded rod, followed by the cover cap and the knurled nut.

4.



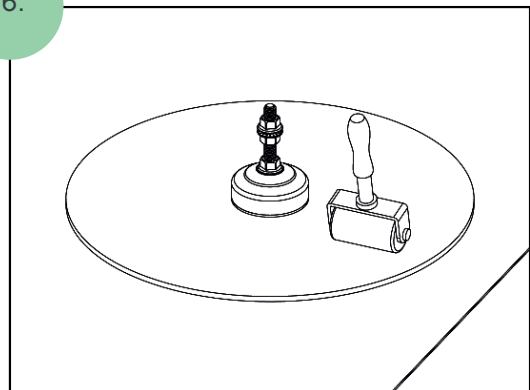
Ensure that the nut and bolt are properly tightened so that all components are securely and watertight fixed.

5.



Heat the underside of the slab until the bitumen becomes liquid.

6.



Press the slab firmly with a hard PVC roller to achieve optimal adhesion and sealing.

*Use suitable screws in accordance with the manufacturer's guidelines.

Screw selection based on insulation thickness

The table below helps you determine the appropriate screw length based on the thickness of the insulation used. It is essential that the screws provide adequate anchorage in the substrate, taking into account both the insulation thickness and the required minimum embedment depth. Always refer to this table to ensure correct and secure fastening for each application.

WOODEN & STEEL ROOF STRUCTURE

Article code	Reference	Dimension	Isolation thickness
1AHM15AS002	screw mounting anchor wood/steel 4,8x50 mm EDS-B-48050	EDSB48 x 50	-
1AHM15AS003	screw mounting anchor wood/steel 4,8x150 mm EDS-B-48150	EDSB48 x 150	MAX 120 mm
1AHM15AS004	screw mounting anchor wood/steel 4,8x180 mm EDS-B-48180	EDSB48 x 180	MAX 150 mm
1AHM15AS005	screw mounting anchor wood/steel 4,8x210 mm EDS-B-48210	EDSB48 x 210	MAX 180 mm
1AHM15AS006	screw mounting anchor wood/steel 4,8x240 mm EDS-B-48240	EDSB48 x 240	MAX 200 mm

CONCRETE ROOF STRUCTURE

Article code	Reference	Dimension	Isolation thickness
1AHM15AS007	screw mounting anchor concrete 6,3x45 mm EFHD-63045	EFHD63 x 45	-
1AHM15AS008	screw mounting anchor concrete 6,3x160 mm EFHD-63160	EFHD63 x 160	MAX 120 mm
1AHM15AS009	screw mounting anchor concrete 6,3x180 mm EFHD-63180	EFHD63 x 180	MAX 140 mm
1AHM15AS010	screw mounting anchor concrete 6,3x200 mm EFHD-63200	EFHD63 x 200	MAX 160 mm

Headquarters

Transportstraat 1B
3980 Tessenderlo-Ham, Belgium

> +32 (0)11 72 96 50
info@allimex-greenpower.eu

> [allimexgreenpower.com](https://www.allimexgreenpower.com)
We care. We dare. We deliver

